

## ■ Tooling

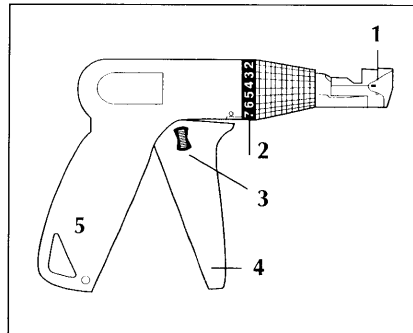
598-902  
303-6960



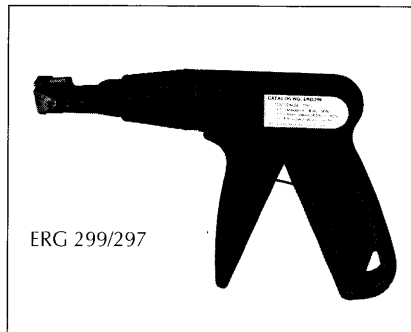
### PRODUCT DESCRIPTION

Thomas & Betts offers a comprehensive range of tooling to compliment the full range of cable ties.

The range includes low-cost tools for maintenance and small batch requirements, semi-automatic handtools for small to medium batch use and a pneumatic powered handtool for high volume use.



1. 360° rotatable nose allows the Ty-Gun tool to be used in any position.
2. Quick tension-adjustment wheel is located towards the front for easy access and fast changes.
3. Adjustable handle span fits large and small hands.
4. Weighs only 240 grams, with a well-balanced center of gravity.
5. Anti-recoil mechanism reduces vibration shock.



ERG 299/297

#### ERG 299

Has a black trigger. Tensions and cuts in one operation ties of 2.4 mm to 4.8 mm width.

#### ERG 297

Has a red trigger. Tensions and cuts in one operation ties of 4.8 mm to 7.6 mm width.

#### Spare Blades

ERG 297 – EDO 3074

ERG 299 – EDO 2041