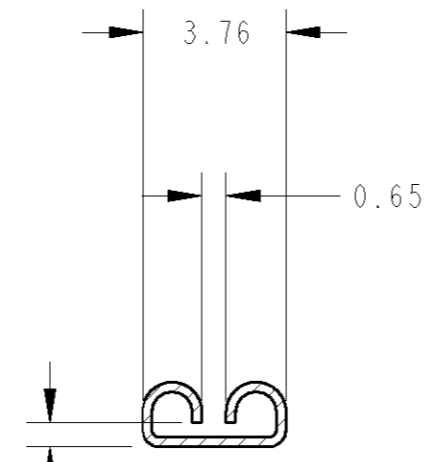
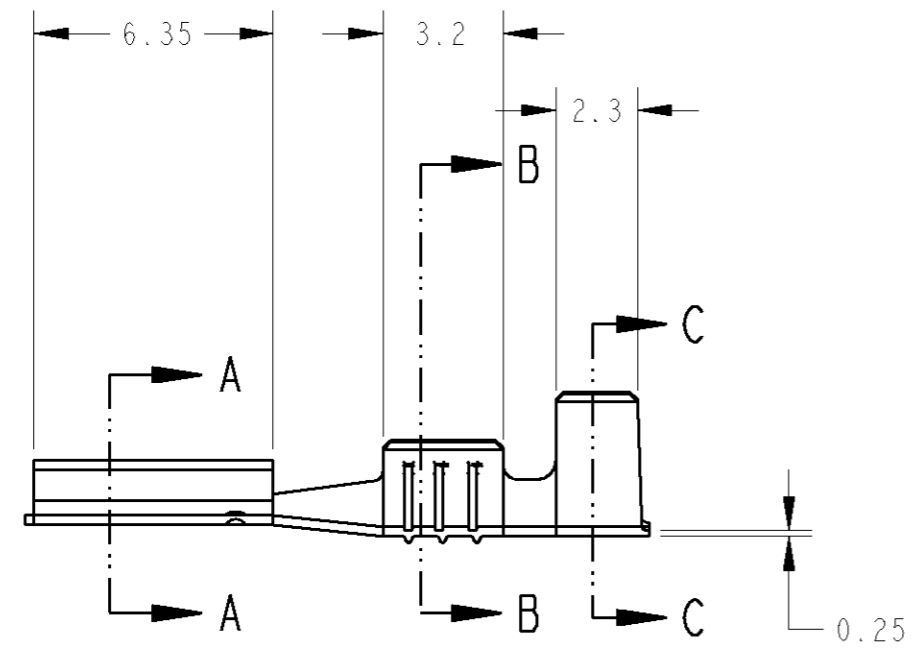


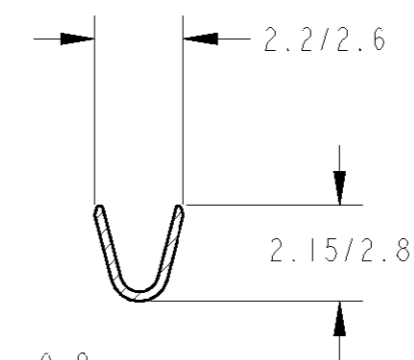
THIS DRAWING IS UNPUBLISHED.
 DIFFUSION RESTREINTE AMP
 (C) COPYRIGHT 19 BY AMP INCORPORATED. ALL RIGHTS RESERVED.
 TOUS DROITS RESERVES

LOC	DIST	REVISIONS				
P	LTR REV	DESCRIPTION MODIFICATIONS	DATE	DWN DESS.	APVD APP.	
F	7	A	Coupe CC, 3.5/3.8 était 3.8l	29NOV2004	GR GR	
		A1	REVISED PER ECO-09-026495	13JAN10	KK AEG	

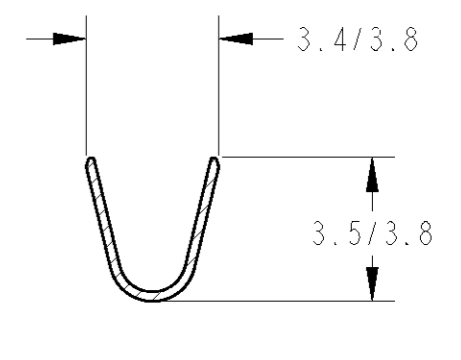


Entre-fer pour languette 2.8 x 0.8
 Gap for tab 2.8 x 0.8 series.

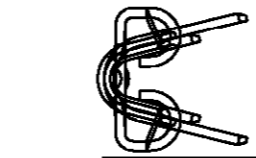
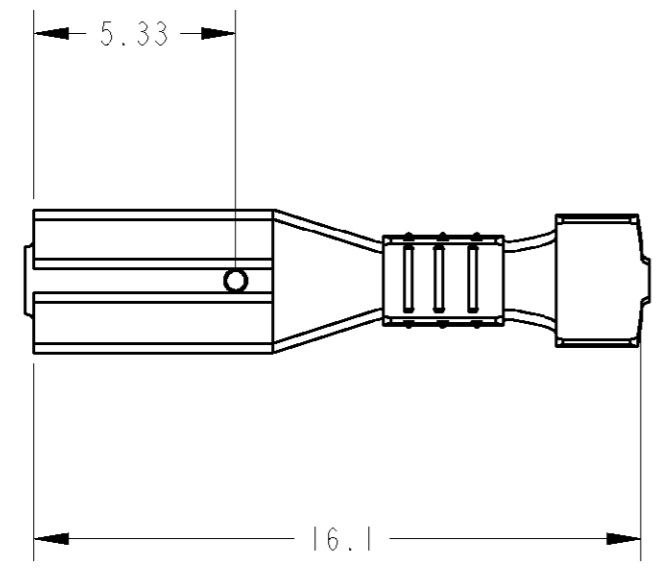
COUPE A-A



COUPE B-B



COUPE C-C



2

DIA. ISOLANT	SECTION mm2	Ep. TAB	FINITION	MATIERE	REFERENCE VRAC PREFORME	REFERENCE VRAC	REFERENCE
1.5 2.5	0.3 1	0.8	POST ETAME	LAITON	141287-3	/	140825-3
1.5 2.5	0.3 1	0.8	PRE ETAME	LAITON	141287-2	140852-2	140825-2
1.5 2.5	0.3 1	0.8	BRUT	LAITON	141287-1	140852-1	140825-1

1 PRODUIT LIVRE EN BANDE, PAS 17.9±0.1.
 CONTINUOUS STRIP ON REEL, FEED 17.9±0.1.

2 OBSOLETE PARTS: OBSOLETE CIS STREAMLINING PER D.RENAUD/D.SINISI

THIS DRAWING IS A CONTROLLED DOCUMENT FOR AMP INCORPORATED. IT IS SUBJECT TO CHANGE AND THE CONTROLLING ENGINEERING ORGANIZATION SHOULD BE CONTACTED FOR THE LATEST REVISION. CE PLAN EST UN DOCUMENT CONTROLE PAR AMP INCORPORATED. IL EST SUSCEPTIBLE D'ETRE REVISE. CONTACTER LE SERVICE TECHNIQUE D'AMP DE FRANCE POUR OBTENIR LA DERNIERE REVISION.		DWN /DESSINE 09DEC97 Gérard ROBERT CHK /VERIFIE 09DEC97 Gérard ROBERT APVD /APPROUVE 09DEC97 Yves PETRONIN		AMP AMP DE FRANCE 95301 PONTOISE	
DIMENSIONS: mm		TOLERANCES UNLESS OTHERWISE SPECIFIED: TOLERANCES NON SPECIFIEES (SUIV NB DE DECIMALES): 0 PLC /DEC: ±- 1 PLC /DEC: ±0.5 2 PLC /DEC: ±0.13 3 PLC /DEC: ±0.013 4 PLC /DEC: ±0.0001 ANGLES ±-		NAME TITRE .110 SERIES RECEPTACLE, FASTON	
MATERIAL MATIERE VOIR TABLEAU		FINISH FINITION VOIR TABLEAU		APPLICATION SPEC SPEC. APPLICATION 114-35000	
WEIGHT MASSE APPROX. -		SIZE FORMAT A3		CAGE CODE 00779 DRAWING NO No PLAN C-140825	
CUSTOMER DRAWING /PLAN CLIENT		UNIQUEMENT POUR REFERENCE		SCALE ECHELLE 5:1 SHEET FEUILLE OF DE REV A1	