

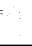
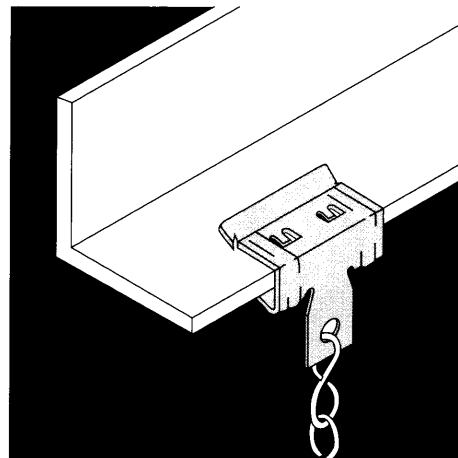
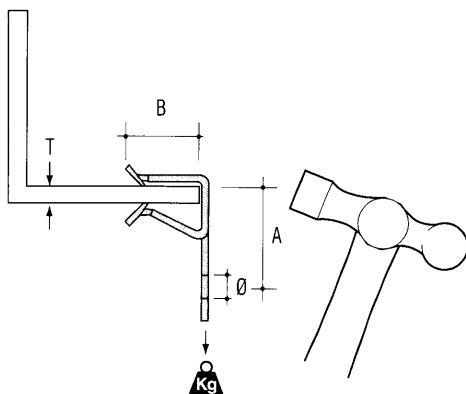



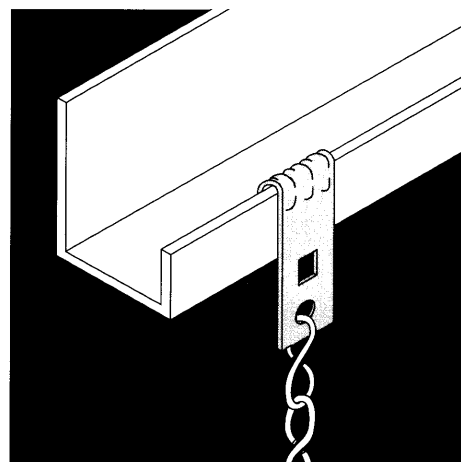
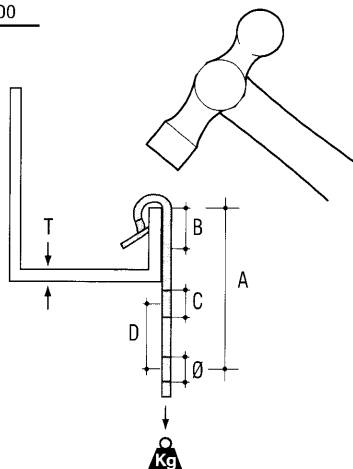





REF	T (mm)	Ø (mm)	A (mm)	B (mm)	 Kg	 (F)	
AH-153	1.5-3	6.5	16	12.5	72	F8	100
AH-38	3-8	6.5	18	20.3	90	F8	100
AH-814	8-14	6.5	26	20.3	90	F8	100
AH-1420	14-20	6.5	30	26.6	90	F8	100



REF	T (mm)	Ø (mm)	A (mm)	B (mm)	C (mm)	D (mm)	 Kg	 (F)	
AV-155	1.5-5	6.5	42	14	6.5	12	72	F8	100
AV-57	5-7	6.5	42	15	6.5	12	72	F8	100



REF	T (mm)	ØA (mm)	ØB (mm)	ØC (mm)	D (mm)	 Kg	 (F)	
FH-65	Max 18	12.7	6.5	6.5	19.5	45	F8	100
FH-107	Max 18	10.7	10.7	6.5	19.5	45	F8	100

