



SPC
TECHNOLOGY

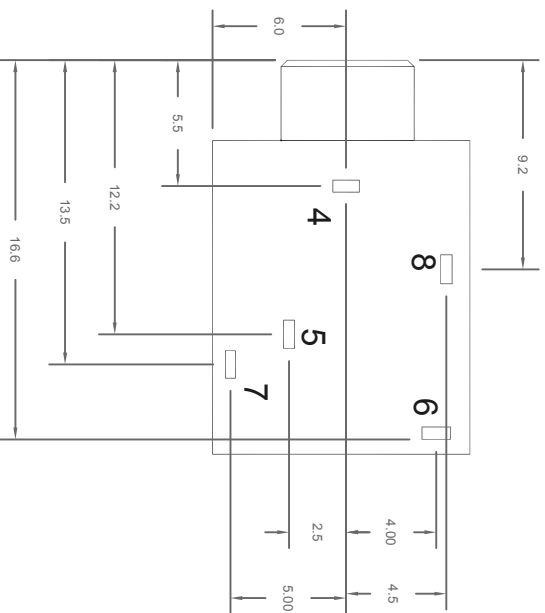
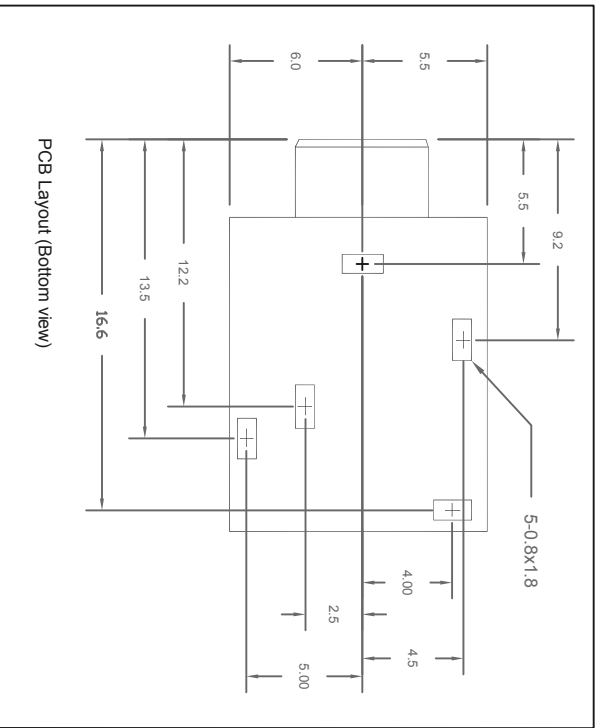
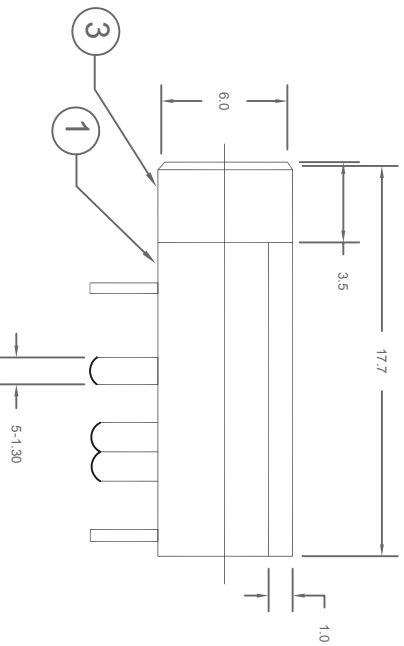
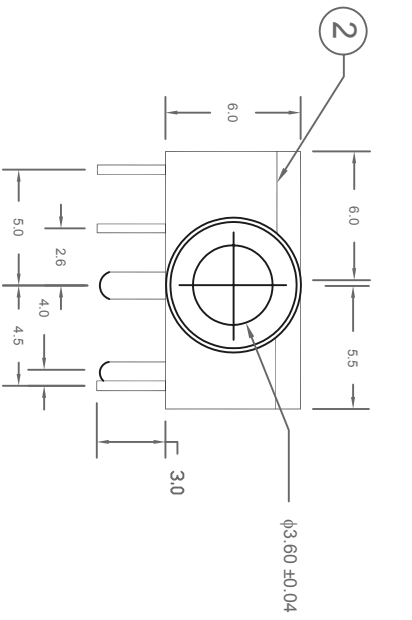
ALL RIGHTS RESERVED. NO PORTION OF THIS PUBLICATION, WHETHER IN WHOLE OR IN PART CAN BE REPRODUCED WITHOUT THE EXPRESS WRITTEN CONSENT OF SPC TECHNOLOGY.

SPC-F005.DWG

REVISIONS

DCP #	REV	DESCRIPTION	DRAWN	DATE	CHECKD	DATE	APPRVD	DATE
			SDH	05-10-10	JAG	05-10-10	XXX	20-10-10

DOC. NO. SPC-F005 * Effective: 7/8/02 * DCP No: 1398



Dimensions : Inches (mm)

Note: T = Threaded Bushing (M6XPO.5)

N = Non Threaded Bushing

DISCLAIMER:
ALL STATEMENTS AND TECHNICAL INFORMATION CONTAINED HEREIN ARE BASED UPON INFORMATION AND/OR TESTS WE BELIEVE TO BE ACCURATE AND RELIABLE. SINCE CONDITIONS OF USE ARE BEYOND OUR CONTROL, THE USER SHALL DETERMINE THE SUITABILITY OF THE PRODUCT FOR THE INTENDED USE AND ASSUME ALL RISK AND LIABILITY WHATSOEVER IN CONNECTION THEREWITH.

TOLERANCES:

UNLESS OTHERWISE SPECIFIED, DIMENSIONS ARE FOR REFERENCE PURPOSES ONLY.

DRAWN BY:

SDH

DATE:

05-10-10

DRAWING TITLE:

Audio Jack

CHECKED BY:

JAG

DATE:

05-10-10

DWG. NO.:

SPC21344

ELECTRONIC FILE

11M0539

REV

A

APPROVED BY:

XXX

DATE:

20-10-10

SCALE:

NTS

U.O.M.: INCHES [mm]

SHEET:

1 OF 1

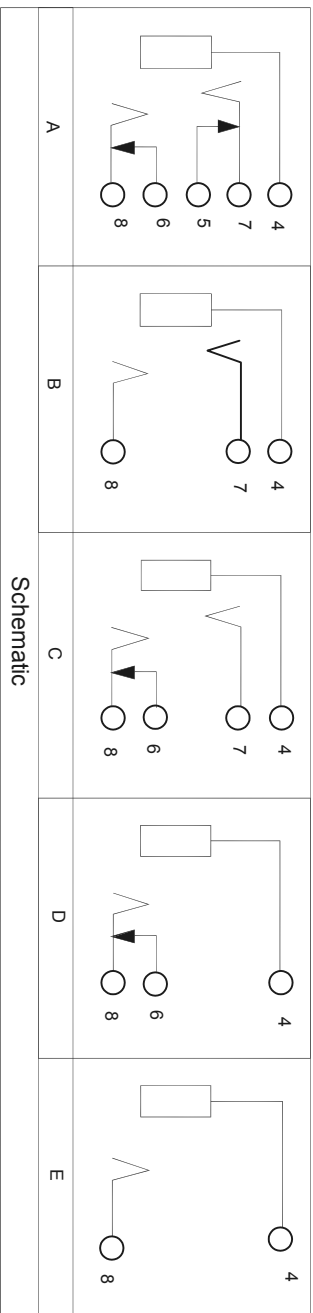


SPC
TECHNOLOGY

ALL RIGHTS RESERVED. NO PORTION OF THIS PUBLICATION, WHETHER IN WHOLE OR IN PART CAN BE REPRODUCED WITHOUT THE EXPRESS WRITTEN CONSENT OF SPC TECHNOLOGY.

SPC-F005.DWG

REVISIONS		DOC. NO. SPC-F005	* Effective: 7/8/02	* DCP No: 1398				
DCP #	REV	DESCRIPTION	DRAWN	DATE	CHECKD	DATE	APPRVD	DATE
			SDH	05-10-10	JAG	05-10-10	XXX	20-10-10



Item	Description	Material/Finish
1	Housing	PBT G15 - Black, UL94V - 0
2	Cover	PC - Transparent
3	Bushing	Brass - Nickel Plated
4	Sleeve	Brass 0.4mm Thick - Tin Plated
5	Ring Shunt	Brass 0.3mm Thick - Tin Plated
6	Tip Shunt	Brass 0.3mm Thick - Tin Plated
7	Ring Spring	Brass, 0.3mm Thick - Tin Plated
8	Tip Spring	Brass, 0.3mm Thick - Tin Plated

Specifications

Electrical
 Contact Resistance: 30 Milliohms maximum.
 Insulation Resistance: 100 Mega ohms minimum AT 500VDC.
 Dielectric Strength: 500 VAC for 60 Seconds.

Mechanical
 Life: 5000 Cycles.
 Insertion Force: 0.3 - 2.0 kg.
 Withdrawal Force: 0.3 - 2.0 kg.

Part Number Table

Description	Part Number
Audio Jack	SPC21344
Audio Jack	SPC21345

DISCLAIMER:
 ALL STATEMENTS AND TECHNICAL INFORMATION CONTAINED HEREIN ARE BASED UPON INFORMATION AND/OR TESTS WE BELIEVE TO BE ACCURATE AND RELIABLE. SINCE CONDITIONS OF USE ARE BEYOND OUR CONTROL, THE USER SHALL DETERMINE THE SUITABILITY OF THE PRODUCT FOR THE INTENDED USE AND ASSUME ALL RISK AND LIABILITY WHATSOEVER IN CONNECTION THEREWITH.

TOLERANCES:
 UNLESS OTHERWISE SPECIFIED, DIMENSIONS ARE FOR REFERENCE PURPOSES ONLY.

DRAWN BY:	DATE:	DRAWING TITLE:	SCALE:	U.O.M.: INCHES [mm]	SHEET:	1	OF	1
SDH	05-10-10	Audio Jack	NTS					
CHECKED BY:	DATE:	SIZE	DWG. NO.	ELECTRONIC FILE	REV			
JAG	05-10-10	XXX	SPC21344	11M0539	A			
APPROVED BY:	DATE:							
XXX	20-10-10							