



Single-Ended Cordsets

#16 AWG yellow ST00W cable – U.S. color code

Oil-resistant PVC jacket

Low-resistance contact design with gold/palladium nickel plating

	2P	3P	4P	5P	6P
FEMALE FACE VIEW					
COLOR CODE	1- white 2- black	1- green-gnd 2- black 3- white	1- black 2- white 3- red 4- green-gnd	1- white 2- red 3- green-gnd 4- orange 5- black	1- white 2- red 3- green-gnd 4- orange 5- black 6- blue
VOLTAGE	600V AC/DC	600V AC/DC	600V AC/DC	600V AC/DC	600V AC/DC
CURRENT	13A	13A	10A	8A	8A
CONDUCTOR	#16-2	#16-3	#16-4	#16-5	#16-6

FEMALE	FIG	SINGLE-ENDED CORDSETS WITH #16 AWG ST00W CABLE 3 FEET LONG				
STRAIGHT	1	102000A01F030	103000A01F030	104000A01F030	105000A01F030	106000A01F030
90°	2	102001A01F030	103001A01F030	104001A01F030	105001A01F030	106001A01F030
MATING RECEPTACLE*	5	1R2006A20A120	1R3006A20A120	1R4006A20A120	1R5006A20A120	1R6006A20A130
MALE	FIG	SINGLE-ENDED CORDSETS WITH #16 AWG ST00W CABLE 3 FEET LONG				
STRAIGHT	3	102002A01F030	103002A01F030	104002A01F030	105002A01F030	106002A01F030
90°	4	102003A01F030	103003A01F030	104003A01F030	105003A01F030	106003A01F030
MATING RECEPTACLE*	5	1R2004A20A120	1R3004A20A120	1R4004A20A120	1R5004A20A120	1R6004A20A120

CATALOG OPTIONS

*See Page 46 for additional Mating Receptacles

Use the following chart to modify your part's specifications

102000A01F0301

CABLE LENGTH

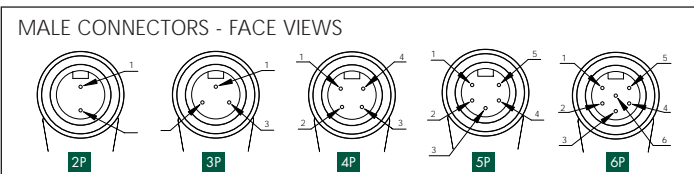
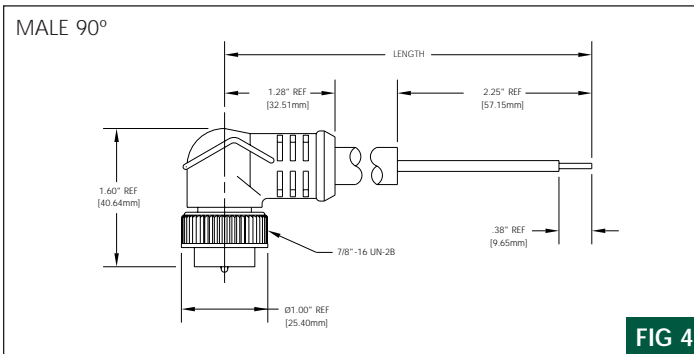
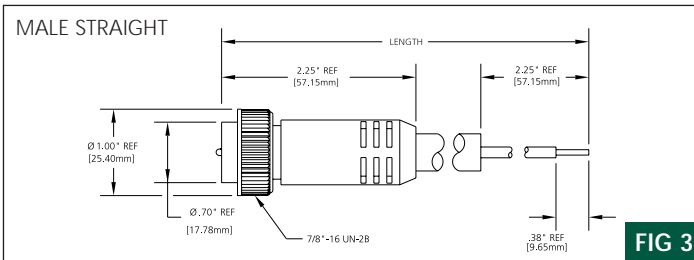
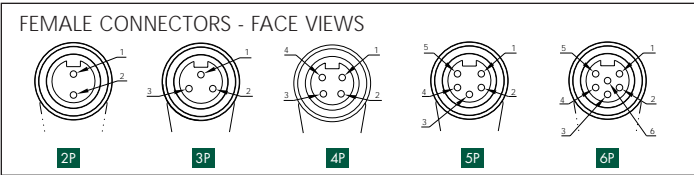
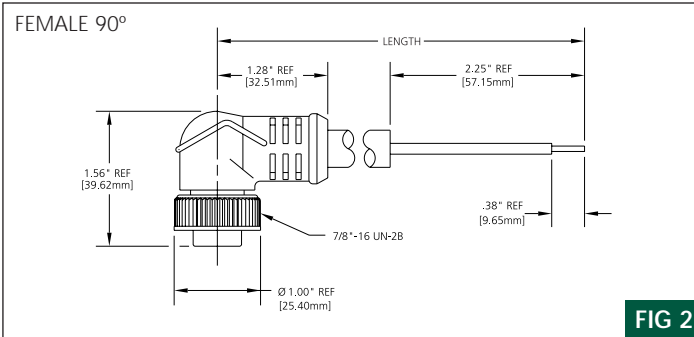
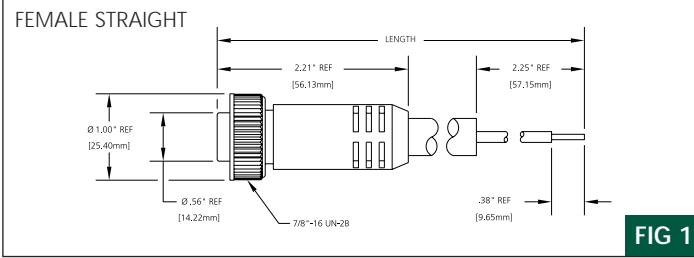
6'	060
12'	120
15'	150
20'	200
25'	250
30'	300

COUPLING NUT

STAINLESS STEEL	...ADD 1
NON-METALLIC	...ADD 2

Specifications

CONNECTOR DIMENSIONS



MECHANICAL
 CONNECTOR FACE: PVC - UL STD 94 - V0
 MOLDED BODY: PVC - UL STD 94 - V0
 COUPLING NUT: ZINC DIECAST W/ BLACK EPOXY

E-COAT, OPTIONAL STAINLESS STEEL TYPE 303 OR NON-METALLIC GRAY NYLON 6/6

CABLE: YELLOW, #16 AWG, PVC JACKET, PVC CONDUCTOR INSULATION OVER 65 X #34 COPPER STRANDING, UL ST00W CSA ST

CABLE DIAMETER:
 2P - .37" (9.4mm)
 3P - .41" (10.4mm)
 4P - .42" (10.7mm)
 5P - .50" (12.7mm)
 6P - .54" (13.7mm)

ELECTRICAL
 VOLTAGE RATING: 600V AC/DC
 AMPERAGE:

2P - 13A
 3P - 13A
 4P - 10A
 5P - 8A
 6P - 8A

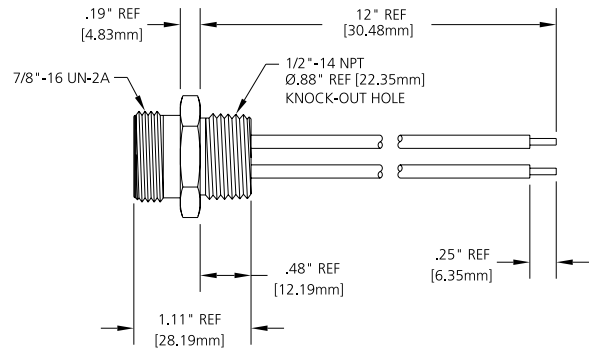
ENVIRONMENTAL
 PROTECTION: IP 68 NEMA 6P
 AMBIENT OPERATING TEMP: -4° TO 221° F (-20° TO 105° C)

CERTIFICATIONS
 UL: UL RECOGNIZED, FILE NO. E46237
 CSA: CSA CERTIFIED, FILE NO. LR6837

RECEPTACLE DIMENSIONS

MALE RECEPTACLE WITH 1/2" - 14NPT THREADS
 FEMALE STRAIGHT WITH 1/2" - 14NPT THREADS

SEE PAGE 46 FOR
 ADDITIONAL
 RECEPTACLES



TYPICAL FACE VIEW TYPICAL KNOCK OUT

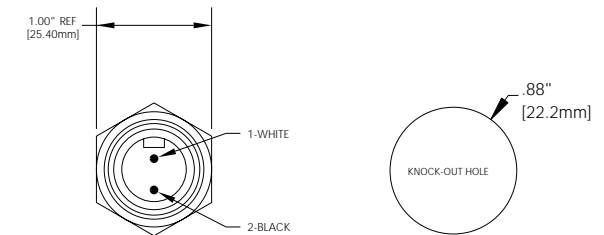


FIG 5

MALE RECEPTACLES - FACE VIEWS

