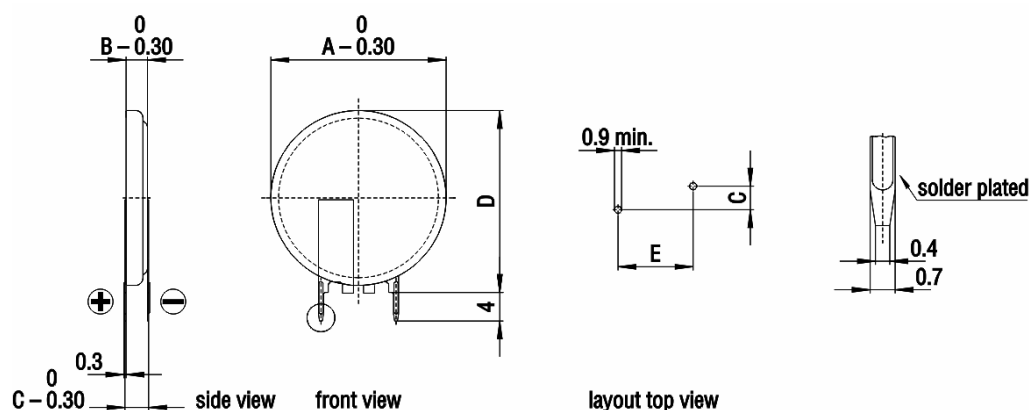


Tabbed Lithium Batteries

Tabbed 3V Lithium Batteries for P.C. Board Mounting – Two Pins Vertical



RENATA No.	Nominal capacity (mAh)	Weight (g)	Maximum dimensions (mm)				
			A	B	C	D	E
CR1025FV	30	0.8	10.0	2.5	2.8	11.0	5.08
CR1220FV	38	1.0	12.5	2.0	2.3	13.5	5.08
CR1225FV	48	1.1	12.5	2.5	2.8	13.5	5.08
CR1616FV	50	1.3	16.0	1.6	1.9	17.0	5.08
CR1620FV	68	1.4	16.0	2.0	2.3	17.0	5.08
CR1632FV	125	2.0	16.0	3.2	3.5	17.0	5.08
CR2032FV	235	3.0	20.0	3.2	3.5	21.0	10.5
CR2320FV	150	2.9	23.0	2.0	2.3	24.0	10.5
CR2325FV	190	3.2	23.0	2.5	2.8	24.0	10.5
CR2430FV	285	4.3	24.5	3.0	3.3	25.5	10.5
CR2450NFV	540	6.1	24.5	5.0	5.8	25.5	10.5
CR2477NFV	950	8.4	24.5	7.7	8.0	25.5	10.5