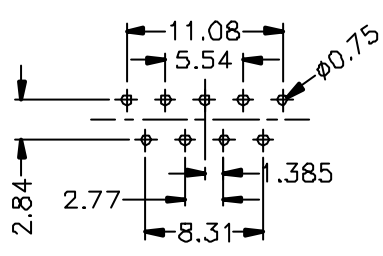
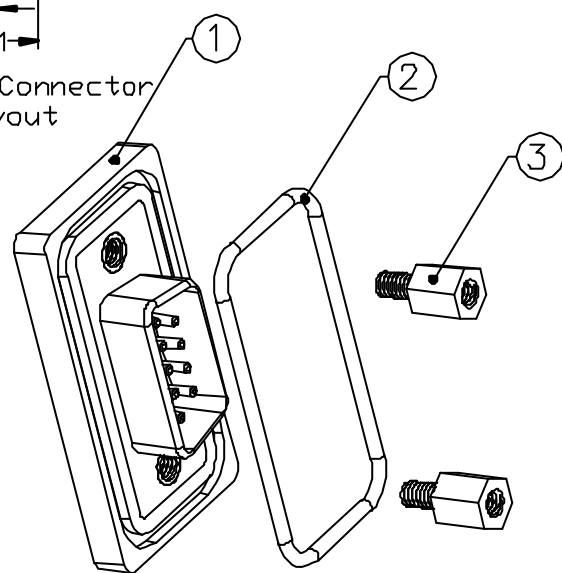
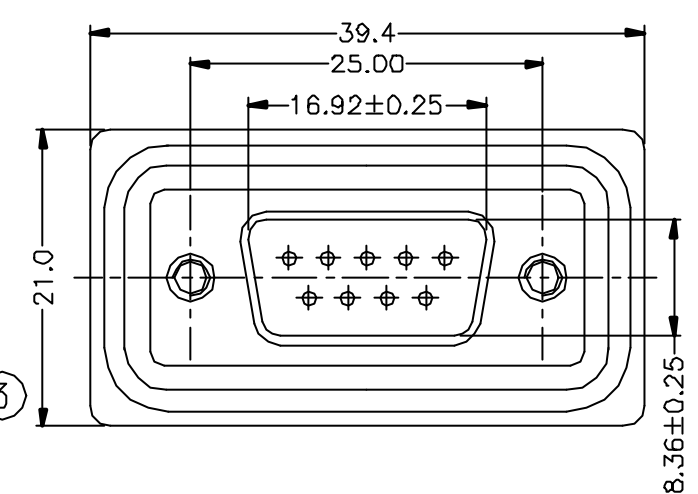


RECOMMENDED PANEL CUT-OUT



9 Pin Male Connector PCB Pin Layout



Note:

- One Set Unassembled in One Zipper Bag

5	Liquid Glue			1	LIQ-001
4	Zipper Bag		#1	1	
3	Screw		#4-40 UNC	2	JSI04401101
2	Ring	Light Blue	Silicone	1	DOR0038SI70
1	D-SUB9PIN		D-SUB 9PIN Male	1	ZDBM0090002
NO.	NAME	COLOR	SPECIFICATION	QTY	NOTE

UNIT : mm	
TOLERANCE	
XX	±0.25
XXX	±0.1
ANGLES	±1°

TITLE D-SUB Waterproof Connector 9Pin Male For Panel,PCB Type 180°			
SCALE 2/1	SHEET 1	OF 1	
REV C	DATE 2002/05/04	SIZE A4	



亮泰企業股份有限公司

ITEM NO LTWDB-9PMMP-180	DRAWN BY T.H Lee	DATE 2002/03/12
DWG NO LTWDB-9PMMP-180	CHECKED BY	DATE
CUSTOMER	APPROVED BY	DATE