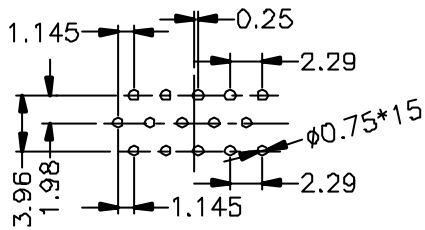
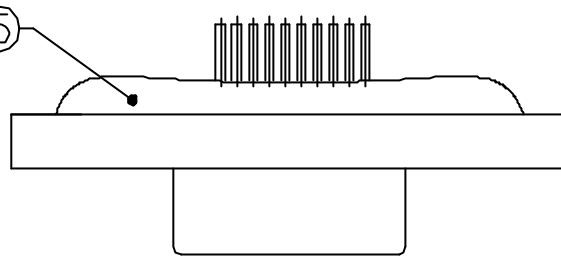
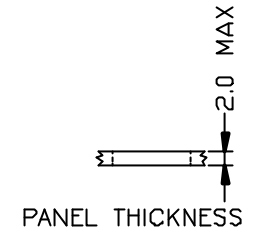
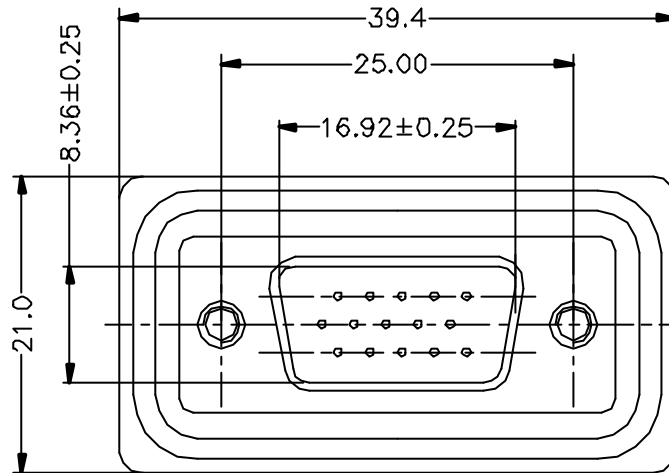


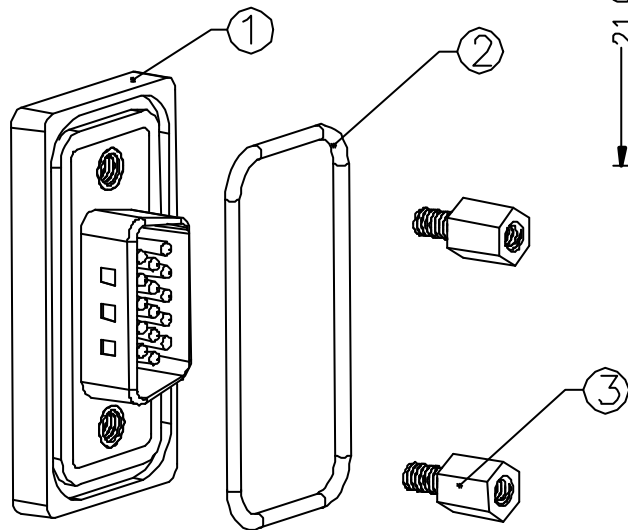
With Liquid Glue ⑤



15 Pin Male Connector
PCB Pin Layout



RECOMMENDED PANEL CUT-OUT



Note:

1. One Set Unassembled in One Zipper Bag
2. Core Color: Blue

NO.	NAME	COLOR	SPECIFICATION	QTY	NOTE
5	Liquid Glue			1	LIQ-001
4	Zipper Bag		#1	1	
3	Screw		#4-40 UNC	2	JSI04401101
2	Ring	Light Blue	Silicone	1	DOR0038SI70
1	D-SUB9PIN		HD-SUB,15PIN Male	1	ZHDM0150002

UNIT : mm		TITLE D-SUB Waterproof Connector ,High Density 15Pin Male For Panel,PCB Type 180°	
TOLERANCE	±0.25 XX ±0.1 XXX ±0.05 ANGLES ±1°	SCALE 2/1	SHEET 1 OF 1
REV A	DATE	SIZE A4	



ITEM NO LTWHD-15PMMP-180	DRAWN BY Orca Lee	DATE 2002/09/27
DWG NO LTWHD-15PMMP-180	CHECKED BY	DATE
CUSTOMER	APROVED BY	DATE