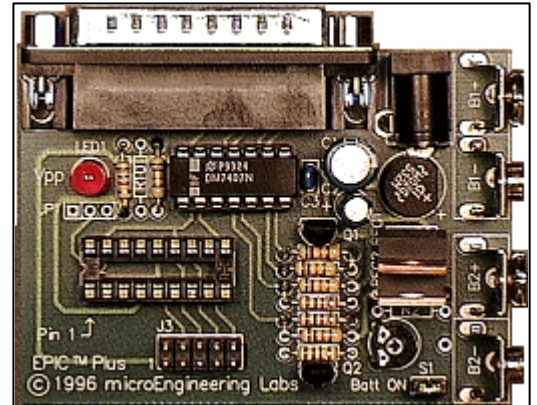


FEATURES

- **LOW COST PROGRAMMER FOR PIC12Cxxx, 16C55x, 16C6xx, 16C7xx, 16C8x and 16F8x**
- **RUNS UNDER Win95/98/NT, or DOS**
- **Win95 VERSION RUNS ALONG SIDE MPLAB IDE**
- **WIDE VARIETY OF ZIF ADAPTERS AVAILABLE**
- **IN-CIRCUIT SERIAL PROGRAMMING ADAPTER AVAILABLE**
- **POWER SUPPLY 12Vac or 2 x PP3 BATTERIES**
- **SOFTWARE UPGRADABLE FOR FUTURE PIC Micros**
- **INCLUDES FREE MACRO ASSEMBLER**



DESCRIPTION

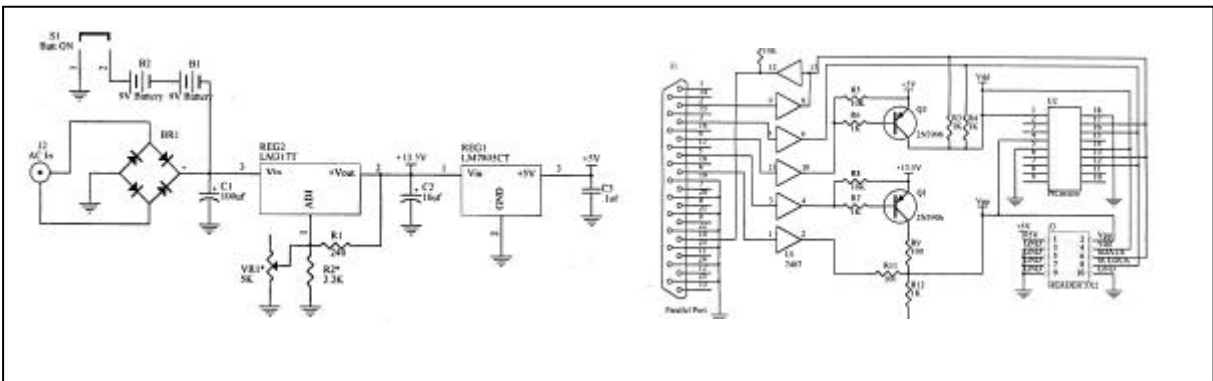
The pocket-sized EPIC Plus Programmer quickly and easily programs the mid-range PICmicros, including the PIC16C55x, 6x, 7x, 8x, and the 8-pin PIC12Cxxx microcontrollers. The basic programmer includes an 18-pin socket for programming 8-and 18-pin PICmicros.

Further ZIF adapters are available to program 28- and 40-pin as well as surface mount and PLCC packages.

The EPIC Plus Programmer is software upgradeable for future PIC micros. It includes programming software and a free macro assembler that operates with Microchip assembler language or it may be used with "C" or PIC Basic.

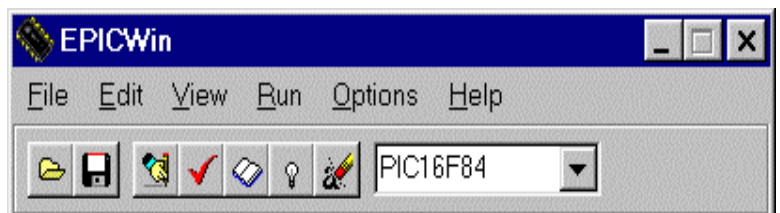
The EPIC Plus Programmer is supplied ready to run with program disk. The programmer requires two 9-volt PP3 batteries or an AC adapter. It plugs into a standard PC parallel printer port.

SCHEMATIC



SOFTWARE

Along with the original DOS programming software, the EPIC Plus Programmer now includes Windows 95/NT programming software. This software supports all the latest mid-range PIC micros. It also adds the capability to read a device and save the data to a .HEX file.



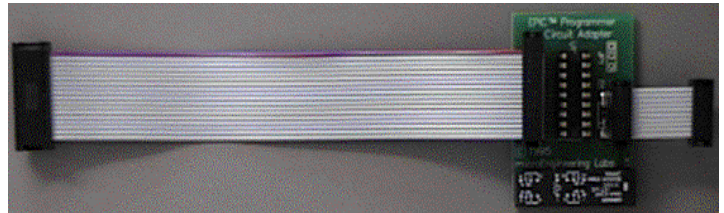
ZIF ADAPTERS

A range of Zero-Insertion-Force adapters are available which connect to the EPIC Plus' 10-pin expansion header to allow programming of PIC micros in DIP, PLCC and surface mount packages. Adapters available are:

Part No	Description	PIC Devices Handled
-	(Basic Programmer)	12C508, 509, 671,672, 16C554, 556, 558, 61, 620, 621, 622, 71, 710, 711, 715, 84, 16F83, 84
MEL4028Z	40/28 Pin DIP	16C62, 63, 64, 641, 642, 65, 66, 661, 662, 67, 72, 73, 74, 76, 77
MEL8SOIC	8 Pin SOIC	12C508, 509, 671, 672
MEL18SOIC	8 Pin SOIC	16C554, 556, 558, 61, 620, 621, 622, 71, 710, 711, 715, 84, 16F83, 84
MEL28SOIC	28 Pin SOIC	16C62, 63, 641, 642, 66, 72, 73, 77
MEL44MQFP	44 Pin MQFP	16C64, 65, 661, 662, 67, 74, 77
MEL44PLCC	44 Pin PLCC	16C64, 65, 661, 662, 67, 74, 77
MEL68PLCC	68 Pin PLCC	16C64, 65, 661, 662, 67, 74, 77
MELICPA	In-circuit Programming Adapter	16C83, 84, 16F84

(NOTE : The MELEPICA will not handle the base-line PIC16C5x or high-end PIC17Cxx series.)

The In-Circuit Programming Adapter for the PIC16C84 or 'F84 enables quick erasing, programming and testing of the PIC without having to continuously transfer it between the programmer and your target system. This adapter plugs between the EPIC Plus Programmer and your test board and fully isolates the target system from the high voltages of the programmer.



Part Number	Description
MEL-EPICA	Development programmer including software
MEL-4028Z	40/28pin ZIF Socket
MEL-8SOIC	8pin SOIC Adapter
MEL-18SOIC	18pin SOIC Adapter
MEL-28SOIC	28pin SOIC Adapter
MEL-44MQFP	44 Pin MQFP Adapter
MEL-44PLCC	44 Pin PLCC Adapter
MEL-68PLCC	68 Pin PLCC Adapter
MEL-ICPA	In Circuit programming Adapter

Should you require further assistance please contact :

R F Solutions Ltd.,
Unit 21, Cliffe Industrial Estate,
South Street, Lewes,
E. Sussex. BN8 6JL, England
Tel: +44 (0)1273 898 000 Fax: +44 (0)1273 480 661
Email : sales@rfsolutions.co.uk <http://www.rfsolutions.co.uk>

Information appears courtesy of Micro Engineering Labs Inc, USA.

Information contained in this document is believed to be accurate, however no representation or warranty is given and no liability is assumed by R.F. Solutions Ltd. With respect to the accuracy of such information. Use of R.F.Solutions as critical components in life support systems is not authorised except with express written approval from R.F.Solutions Ltd.