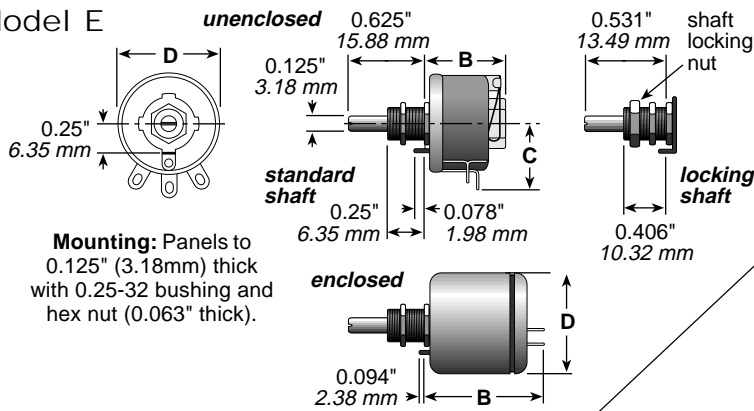


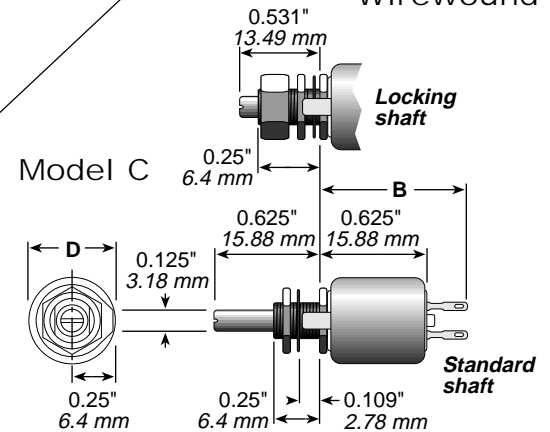
# Rheostats

(Potentiometers)  
Wirewound

## Model E

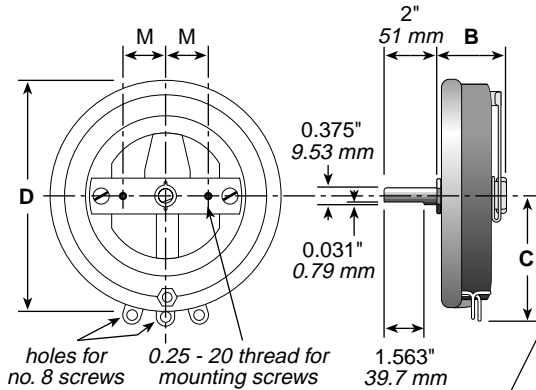


**Mounting:** Panels to 0.125" (3.18mm) thick with 0.25-32 bushing and hex nut (0.063" thick).



**Mounting:** Panels to 0.125" (3.18mm) thick with 0.25-32 bushing and hex nut (0.063" thick).

## Models P, N, R, U

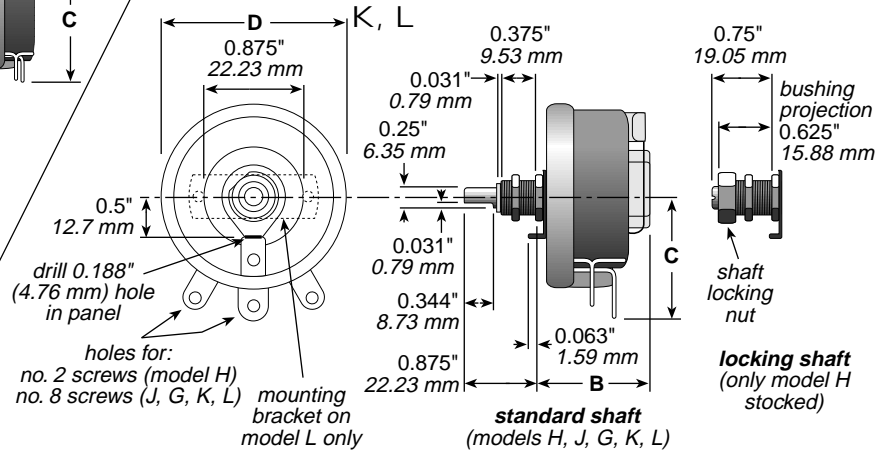


Dimension "M"		
P	0.875"	22.23 mm
N	1.188"	30.16 mm
R	1.5"	38.1 mm
U	3"	76.2 mm

**Mounting:** Panels to 1.25" (31.75mm) thick with 0.25-20 flat-head screws.

See page 39 for knobs, dials, and other hardware

## Models H, J, G, K, L



**Mounting:** Panels to 0.25" (6.35mm) thick with 0.375-32 bushing and hex nut (0.094" thick) (or with 10-32 x 0.75 F.H. screws for model L only).

Since all rheostats/potentiometers are electro-mechanical devices, they are subject to mechanical wear and, therefore, have a finite life.

Model	Type	Watts	Ohmic range	Core	Voltage (RMS)	Behind panel "B" (In./mm)	Diameter "D" (In./mm)	Dimension "C" (In./mm)	Shaft torque	Rotation (±°)
E	RES/REL	12.5	1.0-15K	open	305	0.688/17.46	0.875/ 22.23	0.594/15.08	1-6 oz. in.	300°
H	RHS/RHL	25	1.0-25K	open	500	1.375/34.93	1.560/ 39.62	0.940/23.88	0.25-0.5 lb. in.	300°
J	RJS	50	0.5-50K	open	750	1.375/34.93	2.31 / 58.67	1.56 /39.62	0.25-2 lb. in.	300°
G	RGS	75	0.5-50K	open	900	1.750/44.45	2.75 / 69.25	1.78 /45.21	0.5-2 lb. in.	300°
K	RKS	100	0.5-50K	open	1000	1.750/44.45	3.125/ 79.38	1.91 /48.51	0.5-2 lb. in.	300°
L	RLS	150	0.5-50K	open	1200	2.000/50.8	4.00 /101.60	2.28 /57.91	0.5-3 lb. in.	300°
P	RPS	225	1.0-30K	open	1300	2.125/53.98	5.00 /127.00	2.97 /75.44	2.5-4 lb. in.	310°
N	RNS	300	1.0-50K	open	1225	2.375/60.33	6.00 /152.40	3.44 /87.38	2.5-5 lb. in.	320°
R	RRS	500	1.0-20K	open	1450	2.125/53.98	8.00 /203.20	4.31/109.47	4.5-7 lb. in.	325°
U	RUS	1000	1.0-20K	open	1600	3.000/76.2	12.00 /304.80	6.38/162.05	3.5-7 lb. in.	335°
C	RCS/RCL	7.5	10.0-5K	enclosed	305	0.875/22.23	0.515/ 13.08	—	0.25-3 oz. in.	300°
E	REE	12.5	1.0-15K	enclosed	305	1.219/30.96	1.047/ 26.59	—	1-6 oz. in.	300°

- Models H, J, G, and K also available in enclosed versions.
- See Catalog #203 for complete details.

**Made-to-order rheostats available: Contact nearest Ohmite sales office.**

STOCK PART NUMBERS FOR STANDARD RESISTANCE VALUES

Ohmic value	Part No. Prefix Suffix	7.5W Model C		12.5W Model E			25W Model H		50W Model J	75W Model G	100W Model K	150W Model L	225W Model P	300W Model N	500W Model R	1000W Model U																			
		Std. shaft Locking	Amps max.	Std. shaft Locking	REL Enclosed	Amps max.	Std. shaft Locking	Amps max.	Amps max.	Amps max.	Amps max.	Amps max.	Amps max.	Amps max.	Amps max.	Amps max.	Amps max.																		
0.5 ---R50								✓ 10.0	✦ 12.3	✓ 14.1	+	17.3																							
1 ---1R0				+	✓	✦	3.53	✓	✦	5.00	✓	7.07	✦	8.66	+	10	+	12.3	✦	15.0	+	17.32	+	22.3	+	31.6									
1.5 ---1R5																								✦	18.2	✦	25.8								
2 ---2R0				✓	✓	✦	2.50	✓	✦	3.54	✓	5.00	✓	6.12	✓	7.07	✓	8.65	✓	10.6	✦	12.24	+	15.8	✓	22.4									
2.5 ---2R5				✦	✦	✦	2.24																✦	14.1	✦	20.0									
3 ---3R0				✦	✦	✓	2.04	+	✦	2.88													✓	12.9	✦	18.3									
4 ---4R0								✓	3.53														✦	8.66	✦	11.2	✓	15.8							
5 ---5R0				✦	✓	✦	1.58																✓	7.75	+	10.0	+	14.1							
6 ---6R0				✦	✦	✦	1.44	+	✓	2.04	+	2.88											✦	6.32											
7.5 ---7R5								✓	3.16	+	3.65												✦	5.49											
8 ---8R0				+	✦	✦	1.25	✓	✦	1.77	✓	2.50											✓	7.90		✦	11.2								
10 ---10R	✓	+	0.86	✓	✓	✦	1.12	+	✦	1.58													✓	5.48		✓	7.90	+	10.0						
12 ---12R								✓	2.04																										
12.5 ---12R5																										+	6.30	✦	8.95						
15 ---15R	✦	✓	0.71	✦	✓	✦	0.91	+	✓	1.29													+	3.163	+	3.87	+	4.47							
16 ---16R								✓	1.76																										
22 ---22R								✓	1.50																										
25 ---25R	✓	✦	0.55	+	✓	✓	0.71	+	✦	1.00																									
35 ---35R	✦	✦	0.46	✓	+	✦	0.60	+	✦	0.845	+	1.19																							
40 ---40R																																			
50 ---50R	✦	✦	0.39	✓	+	✦	0.50	+	✦	0.707	+	1.00																							
75 ---75R	✓	✓	0.32	+	+	✦	0.40	+	✦	0.575																									
80 ---80R								✓	0.790																										
100 ---100	+	✓	0.27	+	✦	✦	0.36	+	✓	0.500																									
125 ---125				✓	✦	✦	0.32	✓	✦	0.445	+	0.630																							
150 ---150	✦	✦	0.22	✦	✦	✦	0.29																												
160 ---160																																			
175 ---175				✓	✦	✦	0.27	✓	✓	0.375																									
200 ---200	✦	✦	0.19	✦	+	✓	0.25																												
225 ---225								+	0.470																										
250 ---250	✓	✦	0.17	+	+	✦	0.22	+	✦	0.316																									
300 ---300								✓	0.408																										
325 ---325																																			
350 ---350	✦	✦	0.15	✓	+	✦	0.19	✓	✓	0.267																									
400 ---400																																			
500 ---500	+	✓	0.12	+	✦	✓	0.16	+	✓	0.222	+	0.316																							
600 ---600																																			
700 ---700																																			
750 ---750	✦	✦	0.10	✦	✦	✦	0.13	+	✦	0.182																									
800 ---800								✓	0.250																										
900 ---900																																			
1000 ---1K0	✓	✓	0.086	+	✓	✦	0.10	+	✦	0.155	+	0.224																							
1200 ---1K2																																			
1250 ---1K25																																			
1500 ---1K5	✦	✦	0.071	✓	✓	✦	0.090	+	✓	0.129																									
1600 ---1K6																																			
1750 ---1K75																																			
1800 ---1K8																																			
2000 ---2K0																																			
2250 ---2K25																																			
2500 ---2K5	✓	✓	0.055	✓	✓	✦	0.070	+	✦	0.100	+	0.141																							
3000 ---3K0																																			
3500 ---3K5	✦	✦	0.046	✦	✦	✓	0.060	+	✦	0.084	✓	0.119																							
4500 ---4K5																																			
5000 ---5K0	✓	✓	0.039	✓	✦	✦	0.050	+	+	0.070	✓	0.100																							
7500 ---7K5				✦	✦	✓	0.041	✓	✦	0.058																									
8000 ---8K0																																			
10000 ---10K				+	✦	✦	0.035	+	✦	0.050																									
12500 ---12K5				✦	✦	✦	0.031																												
15000 ---15K				✦	✦	✦	0.029	✓	✦	0.041	✦	0.058																							
20000 ---20K								✦	✦	0.035	✦	0.050																							
25000 ---25K								✦	✦	0.032	✦	0.045																							
30000 ---30K								✦	✦	0.041	✦	0.041																							
40000 ---40K								✦	✦	0.035	✦	0.035																							
50000 ---50K								✓	0.032																										

+ = Most popular stock values  
 ✓ = Stock values  
 ✦ = Non-stock values subject to minimum handling charge per item  
 Rheostats are silicone-ceramic coated at and above the following ohmic values:  
 Model C: all  
 Model E: 3500Ω  
 Model H: 7500Ω  
 Model J: 15,000Ω  
 Model G: 5000Ω  
 Model K: 7500Ω  
 Model L: 7500Ω