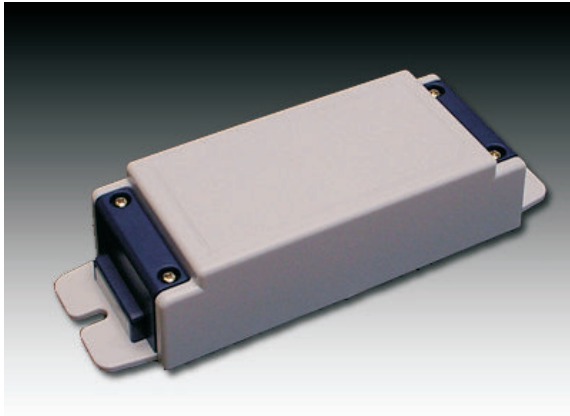


MAINS DIMMABLE 11 - 40W LED DRIVER



Main Features

- Leading and Trailing Edge dimmer compatible
- Selectable currents between 175 to 1200mA
- Compact design housing for easy installation
- Threefold PSU protection
- CE 61347-2-13 & 62384:2006 approved

Product Overview

The market leading iDrive™ LED driver range now offers the iDrive™ MultiDIM. The iDrive™ range is optimized for use with all good quality high powered LED products such as LUXEON, Cree, Seoul, Nichia and OSRAM.

The new iDrive MultiDIM™ range offers the latest phase control (trailing and leading edge) mains dimmable LED drivers in various wattage outputs between 11W and 40W. The iDrive MultiDIM™ LED driver operates a single channel supplying a user selectable forward current between 175 to 1200mA (see product table page 3).

With many different driver DC voltage configurations, the MultiDIM enables each channel to contain a specific number of LEDs for maximum efficiency. The MultiDIM™ range offers threefold protection: Short circuit; over voltage and open circuit.

The MultiDIM™ is ideal for all types of LED lighting products that need to operate with conventional mains dimming circuits including applications such as dichroic or halogen LED replacements and LED downlighters.

Approved Dimmers

Jung: 243EX
Niko: Dimmer 310-02700
Rako: RDT500 & RCP07 7 button controller
Helvar: Digidim 1000W 452 dimmer**
Lutron: GRX3000 - Grafik eye 3000 series**
GX13000 - Grafik eye 3104 series**
Rania - FET based dimmer**

Standards

EN 61347-2-13, EN55015:2006,
EN 61000-3-2, EN 61547,
EN 61047, EN 62384:2006

Approval

CE, EMC, FCC Class B

Electrical Specifications

Input

Input Voltage Range: 110V AC, 230V AC, 277V AC
Input Frequency: 50Hz / 60Hz
Consumption: See table page 3
Power Factor: >0.9 @ Full load
Efficiency: 82-87% max at full load
Connection: Mains AC loop-in loop-out, 5-pin terminal block
Insulation Class: 1
Stand-by Power: <1W
Current Regulation: <5% current tolerance <10% on all outputs

Output options

See page 3

Control Input

Dimming control: Auto detection of either Trailing or Leading Edge Dimmer
Dimming Range: <10% to 100% of output load current

Mechanical

Mounting: Two 5mm fixing holes
Construction: ABS Housing at IP 20 or IP64

Environmental

Operating Ambient Temperature: -20°C to + 50°C
Storage Ambient Temperature: -10°C to + 70°C
Relative Humidity: 80% MAX
Lifetime (failure after 50,000 hours): 5%
Lifetime (failures after 50,000 hours): 5%

Protection

Over Load Protection
Short Circuit Protection
Open Circuit Protection

Dimensions:

151 x 50.5 x 31 mm approx

Weight:

180 grams



www.istl.com



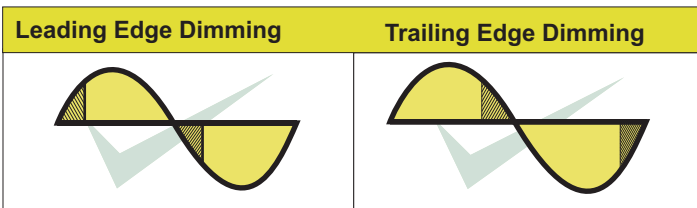
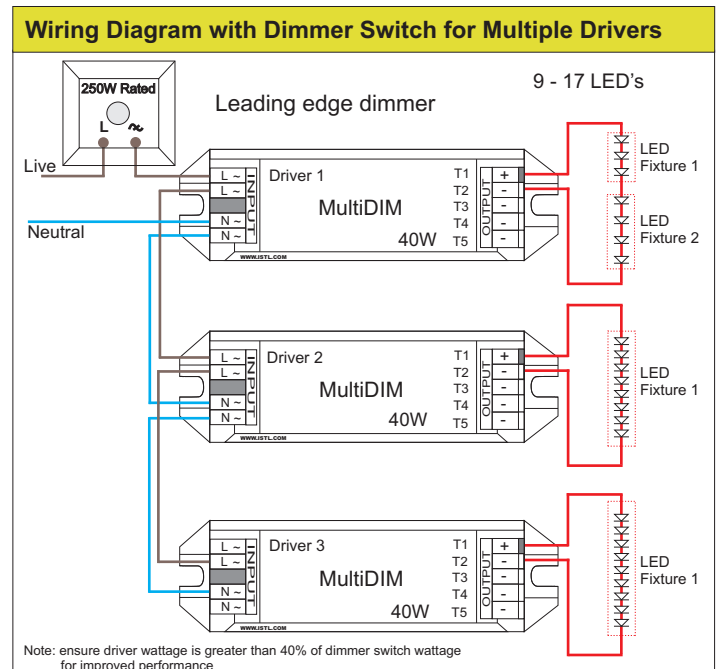
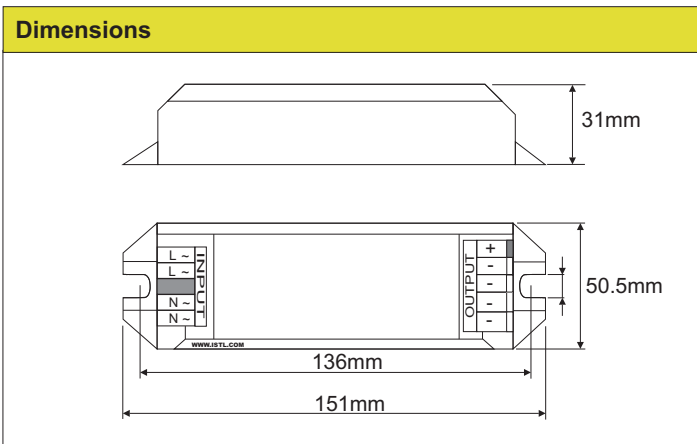
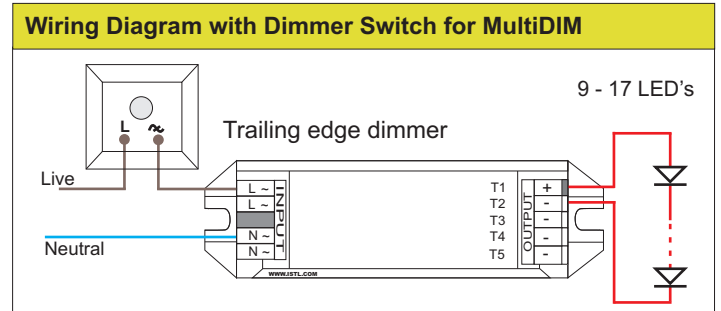
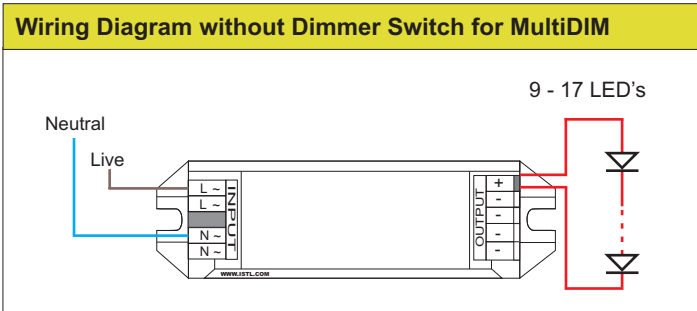
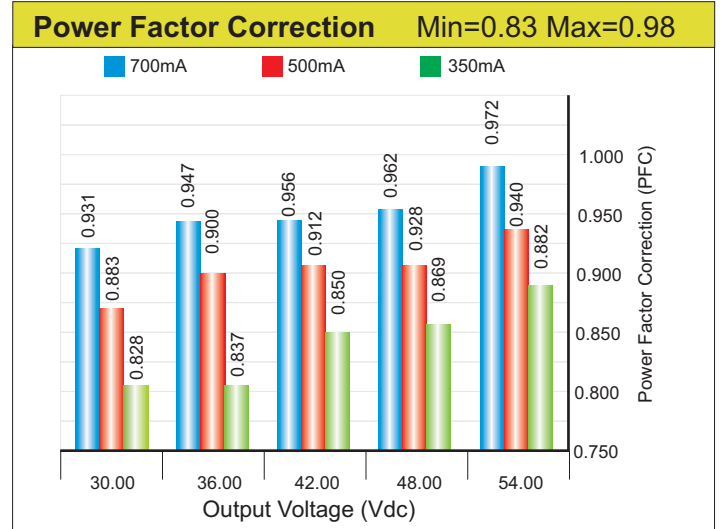
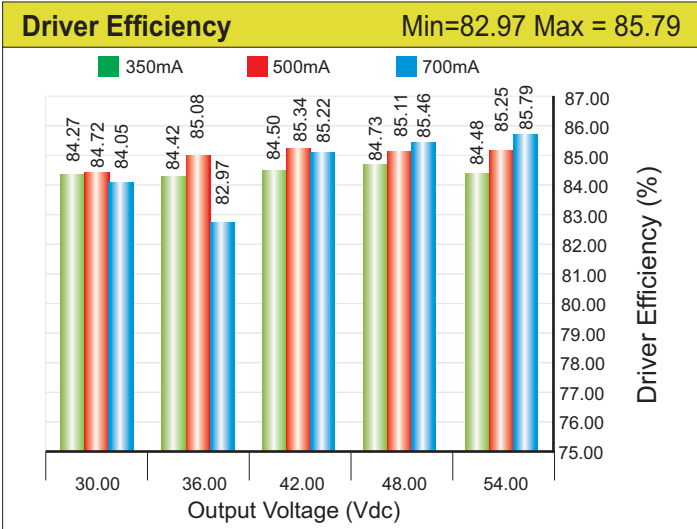
* 1000mA option available only on certain models
** Please contact IST for further details on these dimmers



MAINS DIMMABLE 11 - 40W LED DRIVER

Typical iDrive MultiDIM Performance

Results for model: IDM038541



Applications

Indoor, Spot, Decorative and downlight applications:

- | | | | |
|---------|-------------|---------|---------------|
| Dining | Shops | Office | Architectural |
| Reading | Restaurants | Kitchen | Bathroom |
| Living | Museum | | |

www.istl.com



Preliminary Data V2.0

MAINS DIMMABLE 11 - 40W LED DRIVER

iDrive MultiDIM Range

Model Selection Table

Model	Uin (AC)	Frequency	PFC	Pout (W)	Vout (DC)	Iout* (mA) T2/T3/T4/T5	Pin (W)	Ta	Tc
IDM011151	110V	50/60 Hz	0.95 max	3...11	9 ~ 15	350/500/700	4...13	50	80
IDM011152	230V	50/60 Hz	0.95 max	3...11	9 ~ 15	350/500/700	4...13	50	80
IDM011153	277V	50/60 Hz	0.95 max	3...11	9 ~ 15	350/500/700	4...13	50	80
IDM012481	110V	50/60 Hz	0.95 max	7...12	42 ~ 48	175/200/225/250	8...14	50	80
IDM012482	230V	50/60 Hz	0.95 max	7...12	42 ~ 48	175/200/225/250	8...14	50	80
IDM012483	277V	50/60 Hz	0.95 max	7...12	42 ~ 48	175/200/225/250	8...14	50	80
IDM014121	110V	50/60 Hz	0.95 max	5...14	9 ~ 12	600/800/1000/1200	6...17	50	80
IDM014122	230V	50/60 Hz	0.95 max	5...14	9 ~ 12	600/800/1000/1200	6...17	50	80
IDM014123	277V	50/60 Hz	0.95 max	5...14	9 ~ 12	600/800/1000/1200	6...17	50	80
IDM015151	110V	50/60 Hz	0.95 max	3...15	9 ~ 15	350/500/700/1000	4...18	50	80
IDM015152	230V	50/60 Hz	0.95 max	3...15	9 ~ 15	350/500/700/1000	4...18	50	80
IDM015153	277V	50/60 Hz	0.95 max	3...15	9 ~ 15	350/500/700/1000	4...18	50	80
IDM016221	110V	50/60 Hz	0.95 max	12...16	16 ~ 22	720	13...19	50	80
IDM016222	230V	50/60 Hz	0.95 max	12...16	16 ~ 22	720	13...19	50	80
IDM016223	277V	50/60 Hz	0.95 max	12...16	16 ~ 22	720	13...19	50	80
IDM020291	110V	50/60 Hz	0.95 max	5...20	15 ~ 29	350/500/700	6...24	50	80
IDM020292	230V	50/60 Hz	0.95 max	5...20	15 ~ 29	350/500/700	6...24	50	80
IDM020293	277V	50/60 Hz	0.95 max	5...20	15 ~ 29	350/500/700	6...24	50	80
IDM027271	110V	50/60 Hz	0.95 max	5...27	15 ~ 27	350/500/700/1000	6...32	50	80
IDM027272	230V	50/60 Hz	0.95 max	5...27	15 ~ 27	350/500/700/1000	6...32	50	80
IDM027273	277V	50/60 Hz	0.95 max	5...27	15 ~ 27	350/500/700/1000	6...32	50	80
IDM027391	110V	50/60 Hz	0.95 max	11...27	30 ~ 39	350/500/700	12...32	50	80
IDM027392	230V	50/60 Hz	0.95 max	11...27	30 ~ 39	350/500/700	12...32	50	80
IDM027393	277V	50/60 Hz	0.95 max	11...27	30 ~ 39	350/500/700	12...32	50	80
IDM038541	110V	50/60 Hz	0.95 max	11...38	30 ~ 54	350/500/700	12...45	50	80
IDM038542	230V	50/60 Hz	0.95 max	11...38	30 ~ 54	350/500/700	12...45	50	80
IDM038543	277V	50/60 Hz	0.95 max	11...38	30 ~ 54	350/500/700	12...45	50	80
IDM401142	230V	50/60 Hz	0.95 max	28...40	80 ~ 114	350	30...50	50	80

* Terminal 1 (T1) is the positive for the LED fixture and Terminal 2 to 5 (T2 to T5) is the negative for the LED fixture depending on the output current required.