



ENCLOSING ELECTRONICS ONE BOX AT A TIME

ENCLOSURES & ASSEMBLY SERVICES  
ENCLOSURES & ASSEMBLY SERVICES

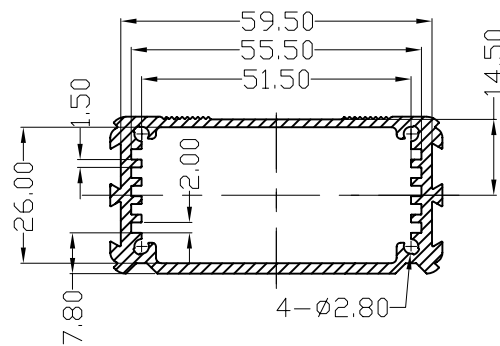
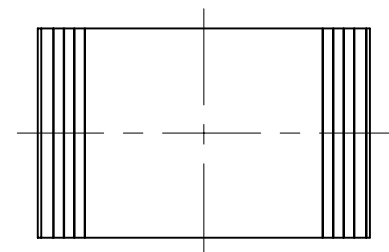
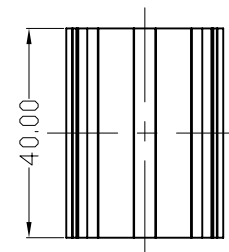
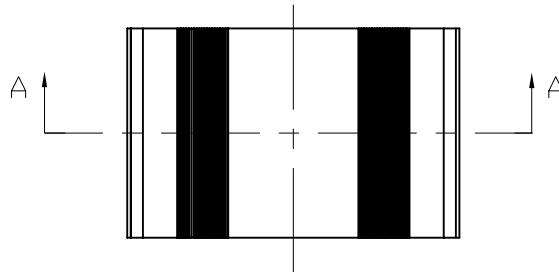
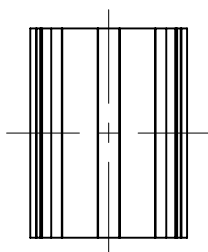
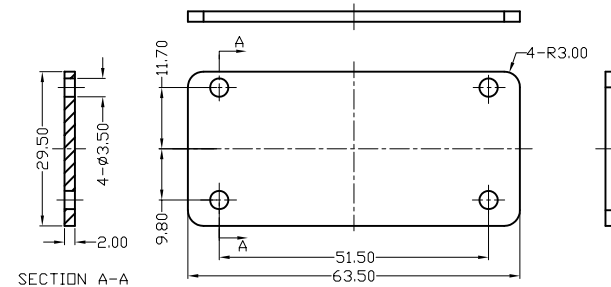
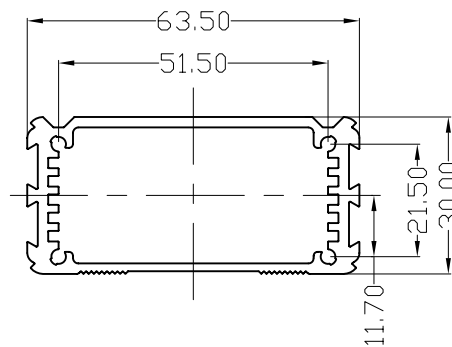
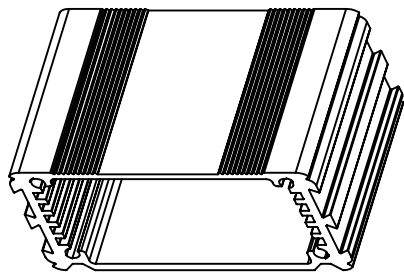
BOX ENCLOSURES, INC

28835 N. HERKY DRIVE, #114,  
LAKE BLUFF, IL 60044

TEL: 847-932-4700

WWW.BOXENCLOSURES.COM

FAX: 847-932-4701



SECTION A-A

		ENCLOSING ELECTRONICS ONE BOX AT A TIME		Revision:	
		ENCLOSURES & ASSEMBLY SERVICES		Model:	
Title		BEX-401	Dwg. No.:	Part No.:	
Material:	<b>TOLERANCE</b> all dimension in mm unless otherwise specified x ±0.20 .x ±0.10 .xx ±0.05 ANGLE ±0.5°		Color:	Drn.	Date
Finish:			Qty.	Chk.	Date
ONLY FOR Proj.				A4	Sheet
			1 of 1		

THIS DRAWING IS THE PROPERTY OF AND MAY EMBODY PROPRIETARY INFORMATION OWNED BY X-Box Enclosures. IT IS PROVIDED UNDER A CONFIDENTIAL RELATIONSHIP FOR A SPECIFIC PURPOSE. THE RECIPIENT AGREES TO USE IT FOR SUCH PURPOSE AND RETURN IT TO X-Box Enclosure UPON REQUEST.