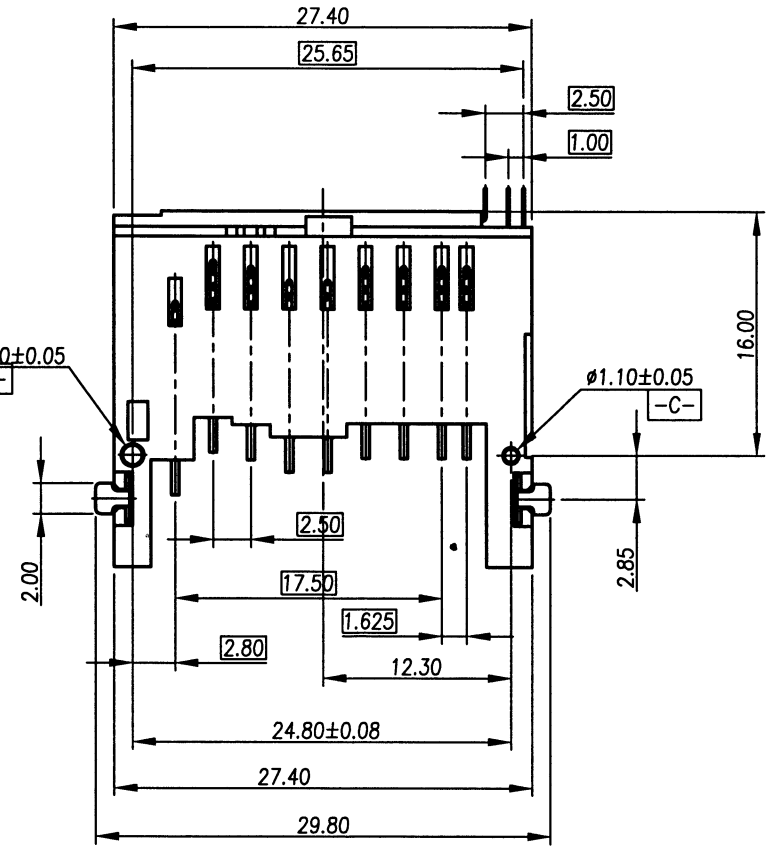
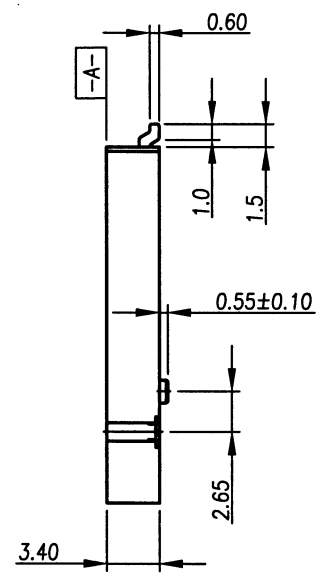
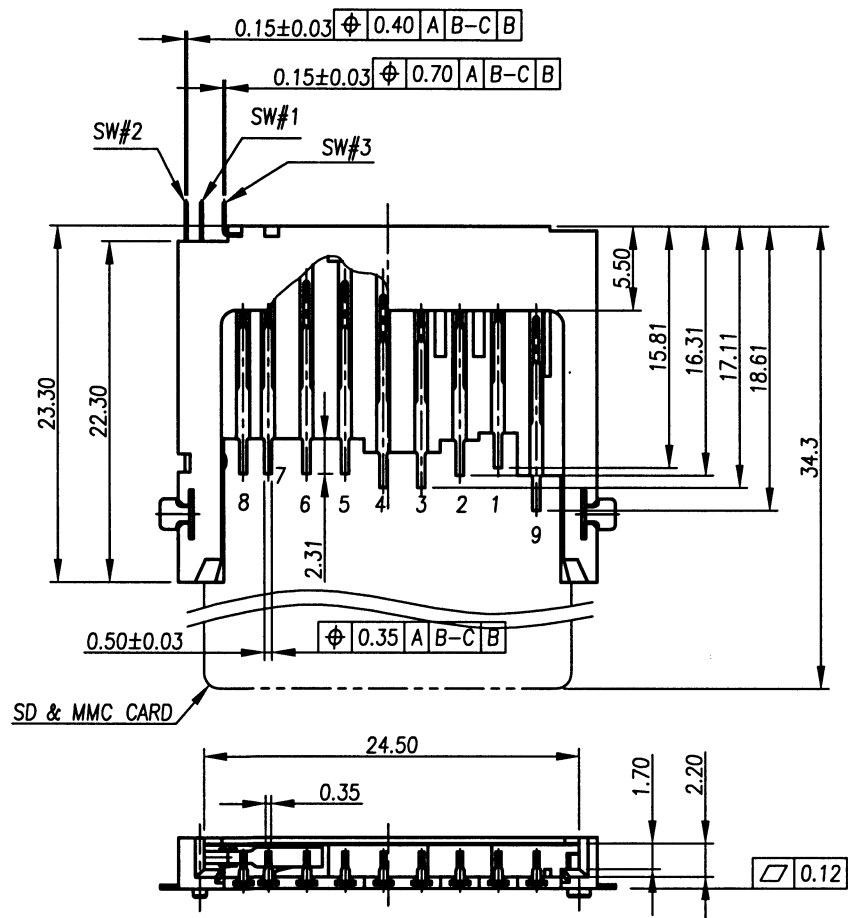


1 2 3 4 5 6 7 8

REV	MODIFICATION	DATE	DRAW
F	EN-03-0508	05/12/03"	JIM LIU
G	EN-04-0316	03/26/04"	JIM LIU
H	EN-04-0807	08/12/04"	JIM LIU

F
E
D
C
B
A

F
E
D
C
B
A



Ordering Information:

SDAMB-012XXBXXX

Contact Area Plating:
 05--05μ" Gold Plating
 10--10μ" Gold Plating
 15--15μ" Gold Plating

PLATING TYPE :
 0 : TIN-LEAD 90/10.
 T : LEAD FREE.

LOGO
 0: WITHOUT LOGO.
 1: WITH KINGFONT LOGO.
 2: WITHOUT LOGO.& M/E.

PACKAGE
 0: TRAY.
 1: TAPE REEL

NOTE:SD AND MMC FULL COMPATIBLE

DIMENSION IN mm [Inch]		PROD. SPEC. SP0019	KINGFONT PRECISION INDUSTRIAL CO., LTD.	
TOLERANCE UNLESS OTHERWISE SPECIFIED		PKG. SPEC. PPP-SDA-001	TITLE	CUSTOMER DRAWING
.X±0.30	X.'±	APPROVE	SECURE DIGITAL MEMORY CARD CONNECTOR TYPE A	
.XX±0.20	.X'±	CHECK 劉忠明	FILE NO. KFP-019	DWG NO. SDAMB-012XXBXXX
.XXX±0.10	.XX'±	DRAW 劉忠明	SIZE A4	PROJ. SHEET 1 / 2
			SCALE 2:1	REV H

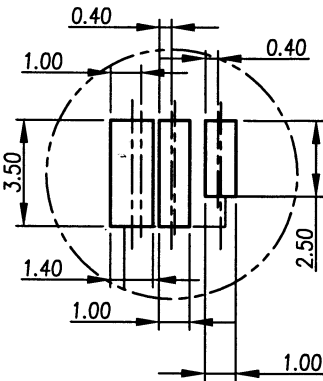
1 2 3 4 5 6 7 8 8F-01-R10

1 2 3 4 5 6 7 8

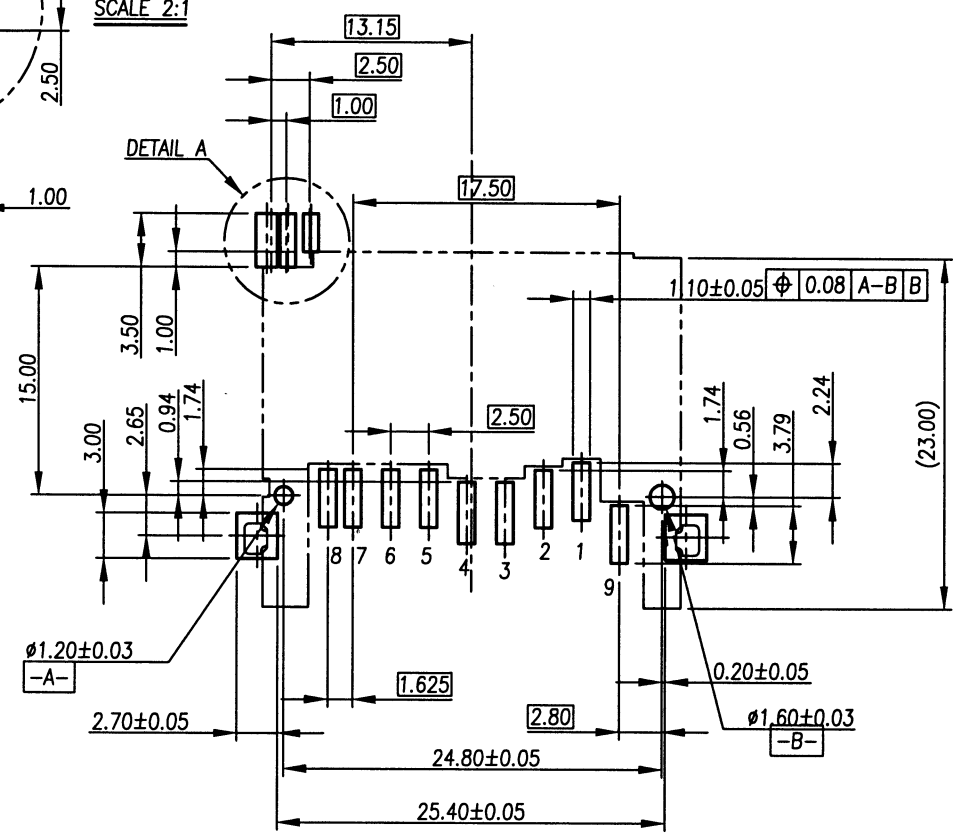
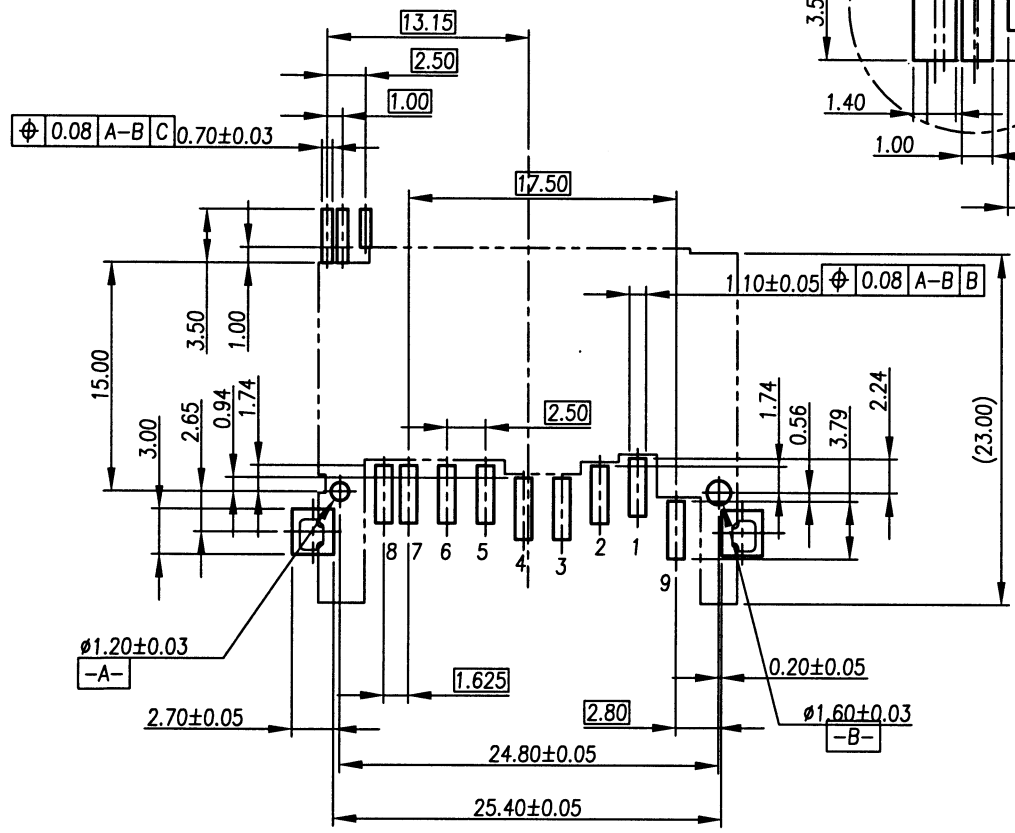
REV	MODIFICATION	DATE	DRAW
F	EN-03-0508	05/12/03"	JIM LIU
G	EN-04-0316	03/26/04"	JIM LIU
H	EN-04-0807	08/12/04"	JIM LIU

F
E
D
C
B
A

F
E
D
C
B
A

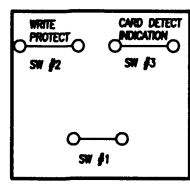


DETAIL A
SCALE 2:1

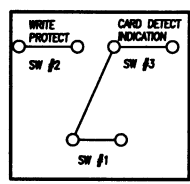


PC BOARD LAYOUT COMPONENT SIDE

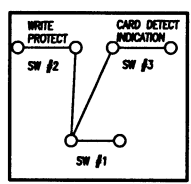
PC BOARD LAYOUT COMPONENT SIDE



WITHOUT CARD



CARD INSERTED
WRITE PROTECT : LOCK



CARD INSERTED
WRITE PROTECT : UNLOCK

PIN	NAME
1	CD/DAT3
2	CMD/DI
3	VSS1
4	VDD
5	CLK/SCLK
6	VSS2
7	DAT0
8	DAT1
9	DAT2

DIMENSION IN mm [Inch]	
TOLERANCE UNLESS OTHERWISE SPECIFIED	
.X±0.30	X.±
.XX±0.20	.X.±
.XXX±0.10	.XX.±

PROD. SPEC.	SP0019
PKG. SPEC.	PPP-SDA-001
APPROVE	<i>[Signature]</i>
CHECK	<i>[Signature]</i>
DRAW	<i>[Signature]</i>

KINGFONT PRECISION INDUSTRIAL CO., LTD.	
TITLE	SECURE DIGITAL MEMORY CARD CONNECTOR TYPE A
CUSTOMER DRAWING	
FILE NO. KFP-019	DWG NO. SDAMB-012XXBXXX
SIZE	A4
PROJ.	SHEET 2 / 2
SCALE	2:1
REV	H