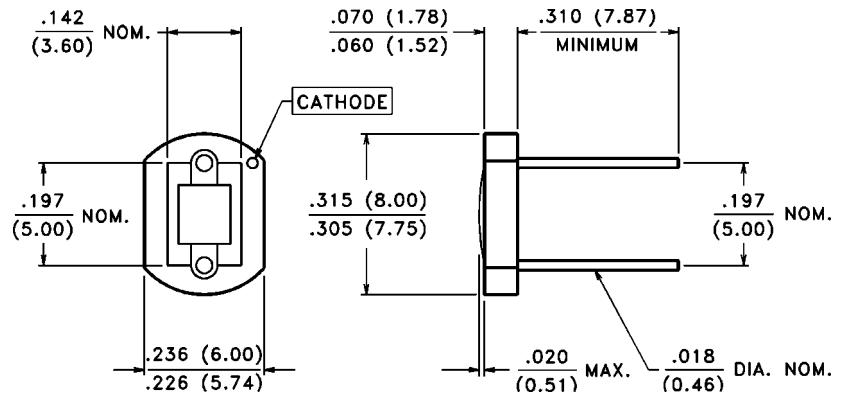


PACKAGE DIMENSIONS inch (mm)



CASE 21 8 mm CERAMIC
CHIP ACTIVE AREA: .008 in² (5.16 mm²)

PRODUCT DESCRIPTION

Planar silicon photodiode in a recessed ceramic package. Chip is coated with a protective layer of clear epoxy. These diodes exhibit low dark current under reverse bias and fast speed of response.

ABSOLUTE MAXIMUM RATINGS

Storage Temperature: -20°C to 75°C
Operating Temperature: -20°C to 75°C

RoHS Compliant



ELECTRO-OPTICAL CHARACTERISTICS @ 25°C (See also VTP curves, pages 45-46)

SYMBOL	CHARACTERISTIC	TEST CONDITIONS	VTP8440H			UNITS
			Min.	Typ.	Max.	
I _{SC}	Short Circuit Current	H = 100 fc, 2850 K	30	55		μA
TC I _{SC}	I _{SC} Temperature Coefficient	2850 K		.20		%/°C
V _{OC}	Open Circuit Voltage	H = 100 fc, 2850 K		350		mV
TC V _{OC}	V _{OC} Temperature Coefficient	2850 K		-2.0		mV/°C
I _D	Dark Current	H = 0, VR = 50 V			15	nA
R _{SH}	Shunt Resistance	H = 0, V = 10 mV		.5		GΩ
C _J	Junction Capacitance	H = 0, V = 15 V			15	pF
Re	Responsivity	940 nm		.025		A/(W/cm ²)
S _R	Sensitivity	@ Peak		.55		A/W
λ _{range}	Spectral Application Range		400		1150	nm
λ _p	Spectral Response - Peak			925		nm
V _{BR}	Breakdown Voltage		50	140		V
θ _{1/2}	Angular Resp. - 50% Resp. Pt.			±50		Degrees
NEP	Noise Equivalent Power			1.3 x 10 ⁻¹³ (Typ.)		W/√Hz
D*	Specific Detectivity			1.8 x 10 ¹² (Typ.)		cm√Hz/W