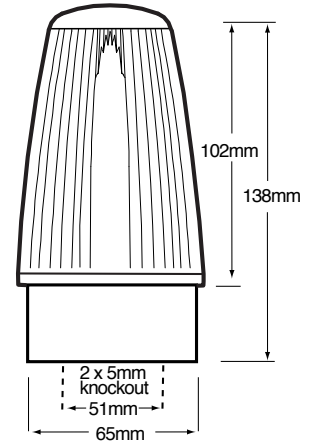




Visual Signals XENON

BEACONS



Industrial Xenon Beacons > X125 Series

Product overview

The X125 Series utilises a discharge capacitor and converter circuit to ignite xenon gas inside a tube, resulting in a brilliant flash of light. Xenon gas ignites virtually instantaneously so maximum brightness is

obtained immediately. Xenons have an added advantage of low current consumption combined with a reasonable life span. The design of the X125 series ensures a 360-degree light output. Xenon beacons are one of the most efficient, effective and brightest visual signals available.

Features

Continuously rated

Suitable for use with conduit BESA box

Suitable for surface or wall mounting

Optional wall bracket & protective guard available - see accessory page

360° visibility

IP65

Material

UV Stable Polycarbonate Lens

UV Stable ABS Plastic Base

Code No:	Voltage:	Light Source:	Current:
X125-Ac/Dc	10-100v Dc --- 20-72v Ac ~	Xenon 2.0J	130 mA •
X125-55	115v Ac ~	Xenon 2.3J	30 mA
X125-56	230v Ac ~	Xenon 2.7J	21 mA

•at 24v Dc ---



Kg 0.17

50/60 Hz

°C -25+55

IP 65

FPM 60

INDUSTRIAL

APPROVAL AND CONFORMITIES



ADD THE FOLLOWING LENS CODES TO THE PRODUCT CODE WHEN ORDERING

01 02 03 04 05

Visual Signals STATIC FILAMENT

BEACONS

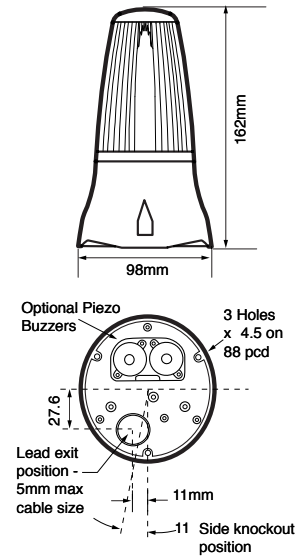


Industrial Flashing Filament Beacons > SF125 DIN & SFA125 Series

Product overview

Suitable for fire, security & light industrial applications, these beacons are of the Static Mode type. Once the unit is energised the lamp will stay permanently ON - often referred to as Steady Mode. The SFA version incorporates

two Piezo sounders situated in the base that are synchronised to the flash rate. An M12 sealing gromet in the base allows for cable entry and termination inside the enclosure. The main advantage of these units is that the flash rate can be controlled by an exterior source i.e. a control panel.



Features

- Continuously rated
- Combined audible & visual signal
- 360° visibility
- Cage guard option available - see accessory page
- 3 Point fix

Material

- UV Stable Polycarbonate Lens
- UV Stable ABS Plastic Base



Code No:	Voltage:	Light Source:	Current:
SF125-90	12v Dc ---	Ba15d x 21w	1.75 A
SF125-91	24v Dc ---	Ba15d x 21w	0.88 A
SF125-92	115v Ac ~	Ba15d x 15w	0.13 A
SF125-93	230v Ac ~	Ba15d x 15w	0.07 A
For Audible Option			
SFA125-80	12v Dc ---	Ba15d x 21w	1.80 A
SFA125-81	24v Dc ---	Ba15d x 21w	0.90 A
SFA125-82	115v Ac ~	Ba15d x 15w	0.15 A
SFA125-83	230v Ac ~	Ba15d x 15w	0.08 A

Kg 0.25

50/60 Hz

°C -25+55

IP 65

dB 90

INDUSTRIAL

APPROVAL AND CONFORMITIES



ADD THE FOLLOWING LENS CODES TO THE PRODUCT CODE WHEN ORDERING

