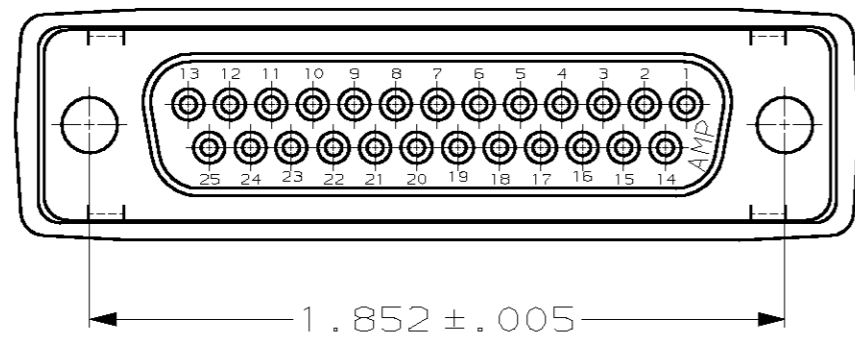
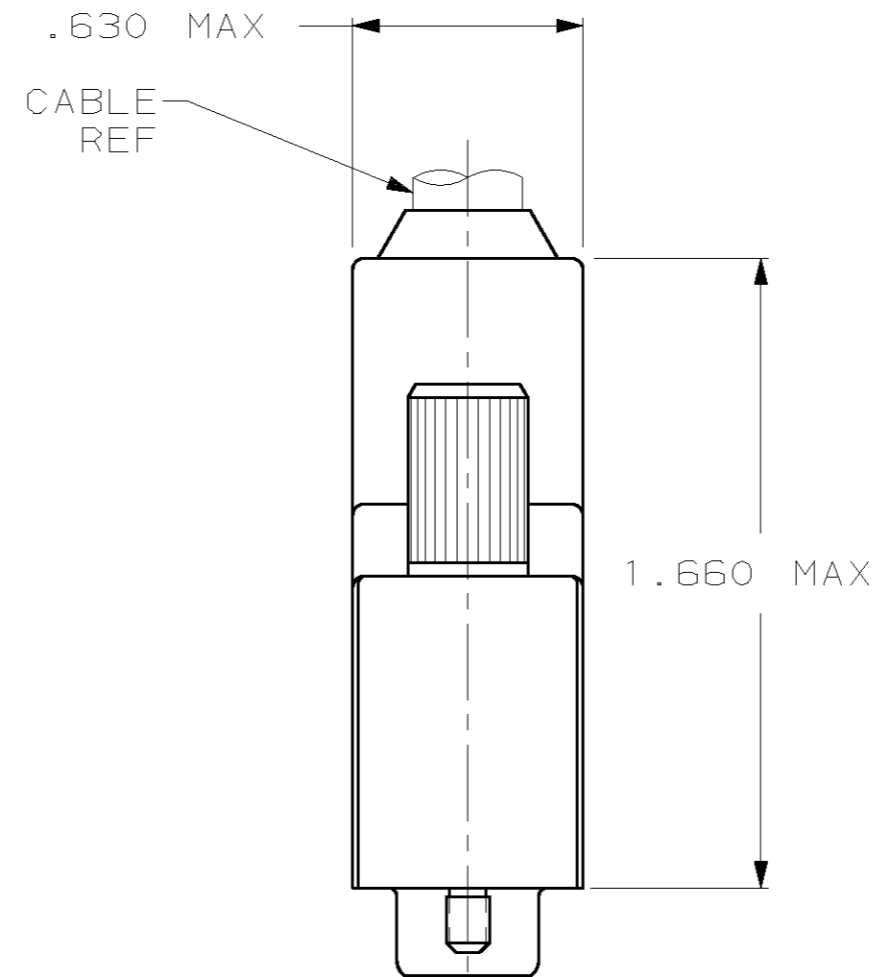
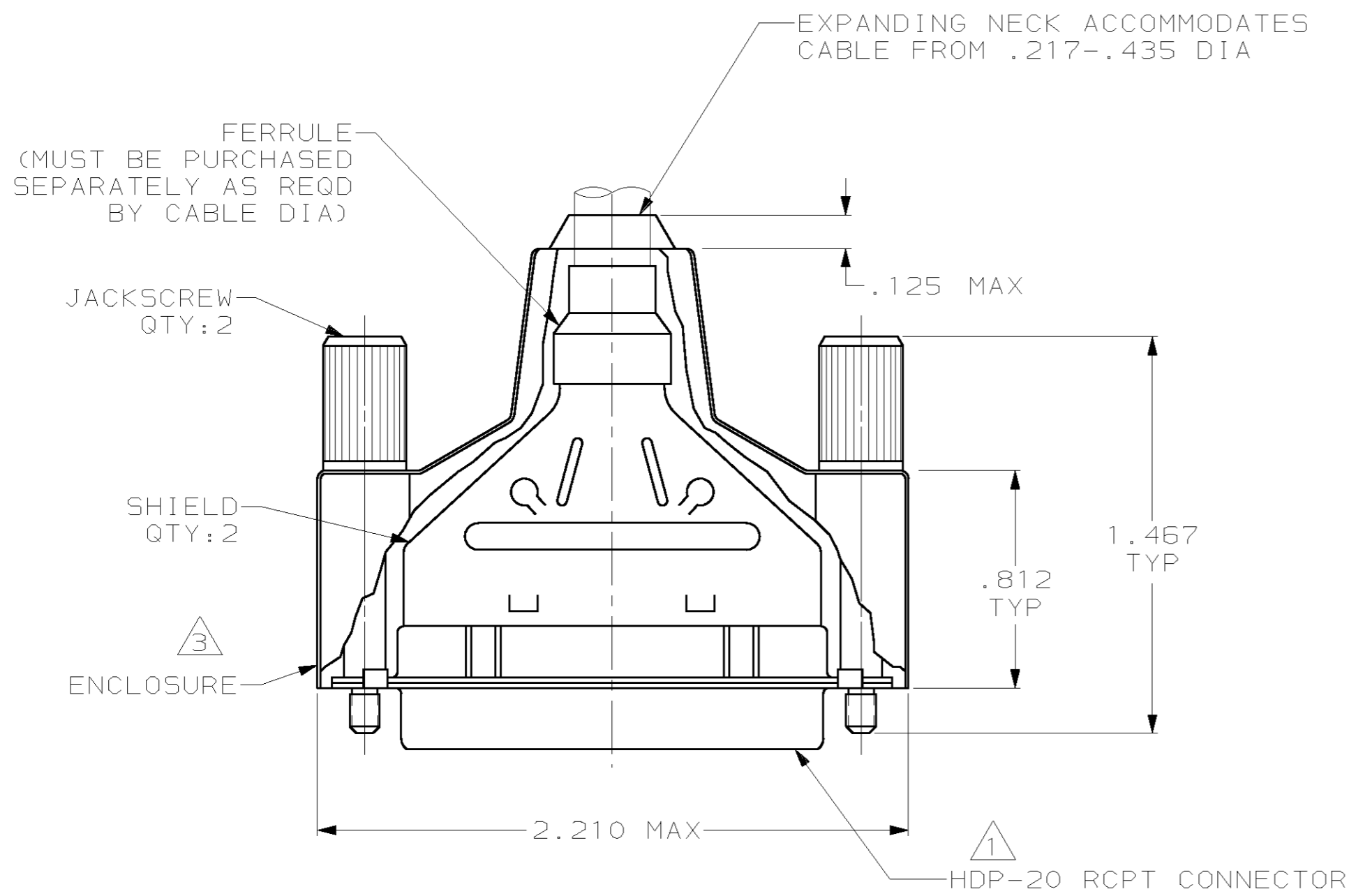


THIS DRAWING IS UNPUBLISHED. RELEASED FOR PUBLICATION
 BY AMP INCORPORATED. ALL RIGHTS RESERVED.

LOC	DIST	REVISIONS					
GP	00	P	LTR	DESCRIPTION	DATE	DWN	APVD
		0		RELEASED PER EC 0513-0196-03	31JUL03	JR	JG



- ① RCPT ACCEPTS SIZE 20 DF SOCKET CONTACTS. CONTACTS MUST BE PURCHASED SEPARATELY.
- 2. ALL PARTS SHIPPED UNASSEMBLED.
- ③ FLAME RETARDANT 94V-0 RATED, STYRENE POLYOLEFIN OR PVC, BLACK.
- ④ FLAME RETARDANT 94V-0 RATED GLASS FILLED, NYLON OR POLYESTER, BLACK.
- ⑤ STEEL PER ASTM A109.
- ⑥ .000200 MIN TIN PLATE OVER .000100 MIN COPPER UNDERPLATE.
- ⑦ COMPONENTS INDIVIDUALLY BULK PACKED.
- ⑧ ZINC ALLOY.
- ⑨ ZINC PHOSPHATE COATING, BLACK.

⑦	W/LOGO	⑨	⑧	1658658-1
PACKAGING	REMARKS	JACKSCREWS FINISH	JACKSCREWS MATERIAL	PART NUMBER

THIS DRAWING IS A CONTROLLED DOCUMENT.		DWN	J. REITZEL	31 JUL 03	AMP Incorporated Harrisburg, PA 17105-3608	
DIMENSIONS: INCH		CHK	S. BOLASH	31 JUL 03		
TOLERANCES UNLESS OTHERWISE SPECIFIED:		APVD	M. WALMSLEY	31 JUL 03		
0 PLC ±- 1 PLC ±- 2 PLC ±- 3 PLC ±.020 4 PLC ±- ANGLES ±-		PRODUCT SPEC	108-40030	NAME		BULK KIT, RCPT, SHIELDING ENCLOSURE, SIZE 3, 25 POSN, AMPLIMITE™ HDP-20
MATERIAL INSERT: ④		FINISH	SHELLS & SHIELDS: ⑥	JACKSCREWS: SEE TABLE	SIZE	A2
SHELLS & SHIELDS: ③		WEIGHT	-	CUSTOMER DRAWING	CAGE CODE	00779
JACKSCREWS: SEE TABLE		SCALE		2:1	DRAWING NO	C-1658658
		SHEET		1 OF 1	RESTRICTED TO	-
		REV		0		

1658658