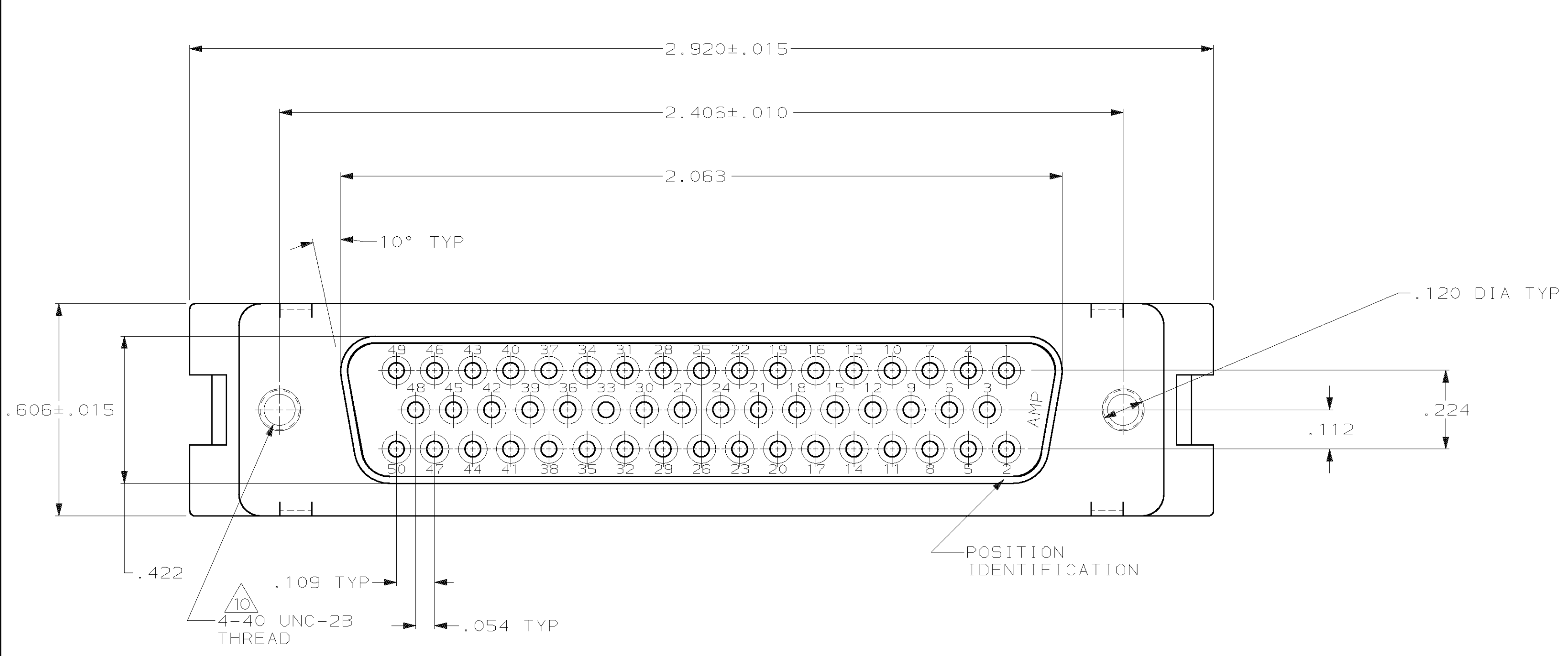
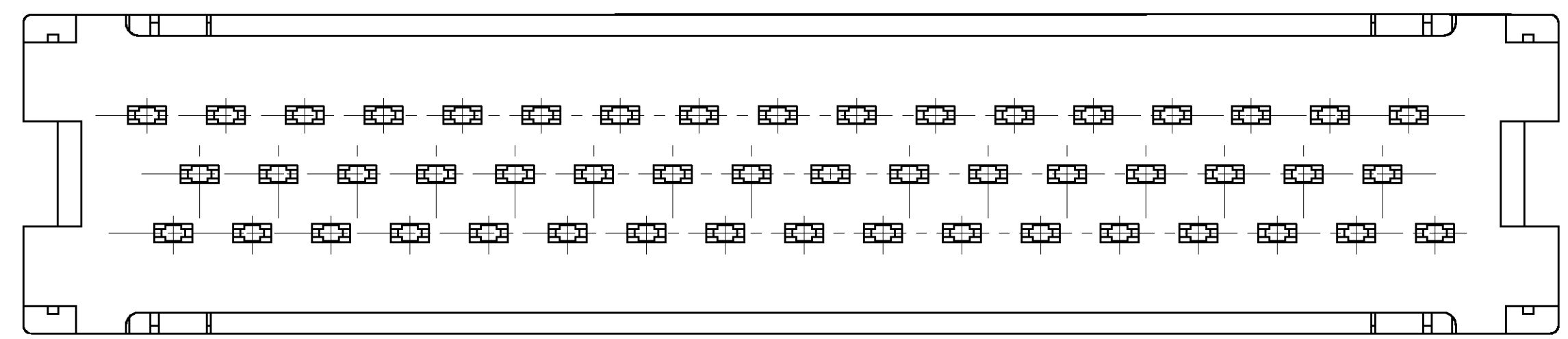
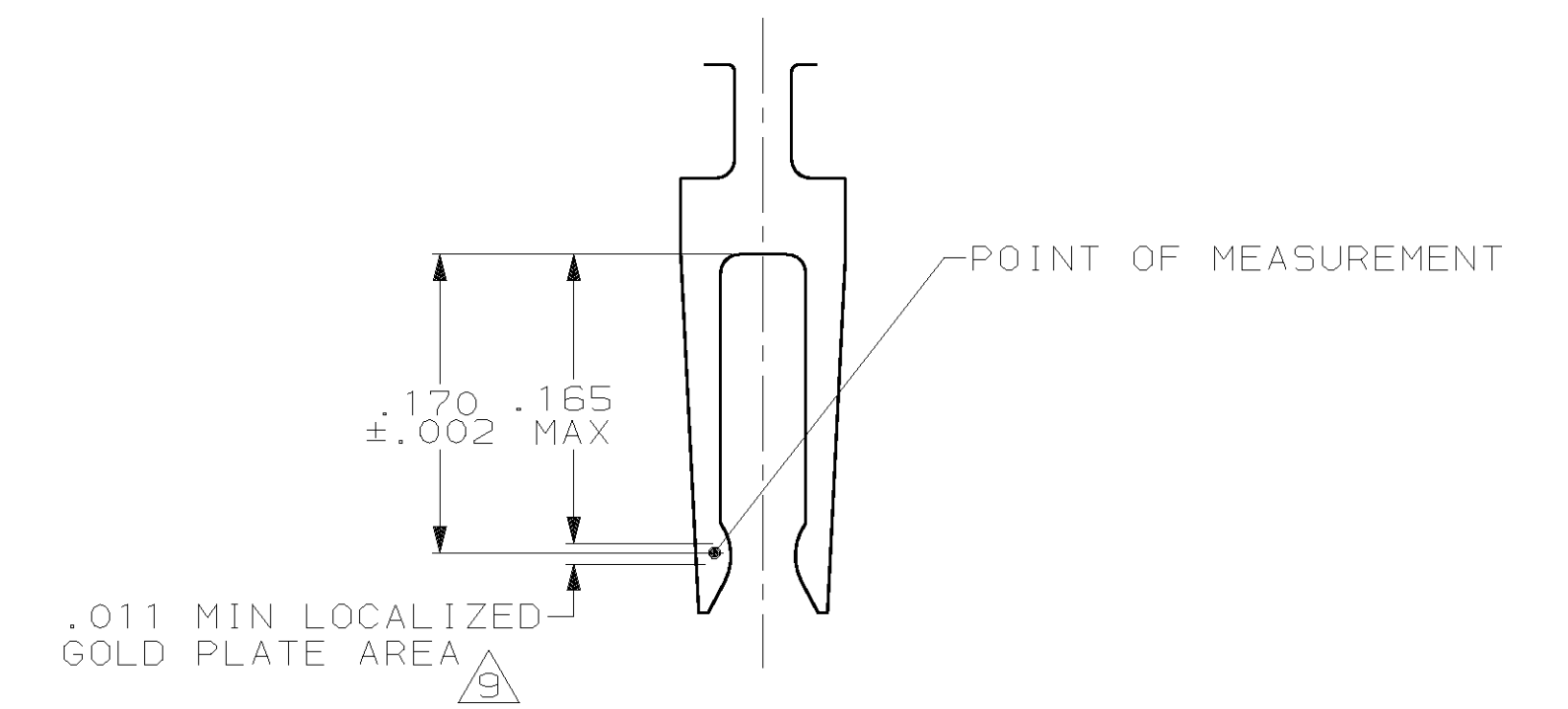
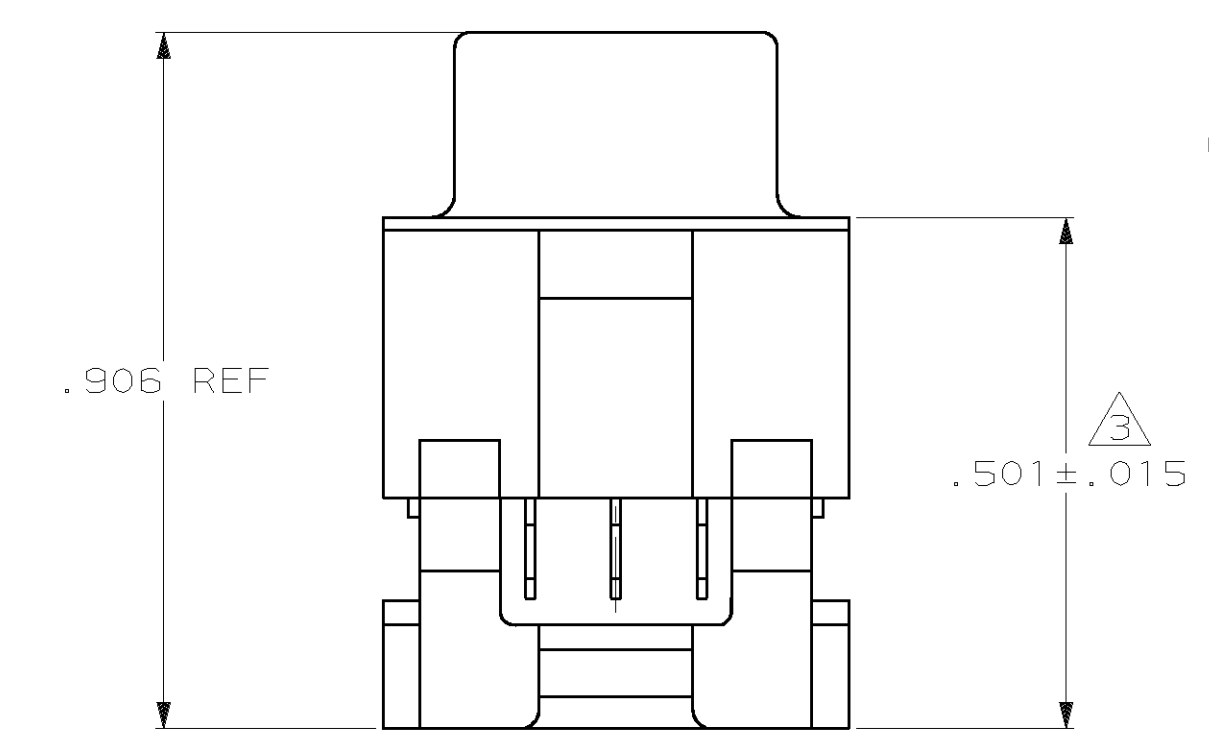
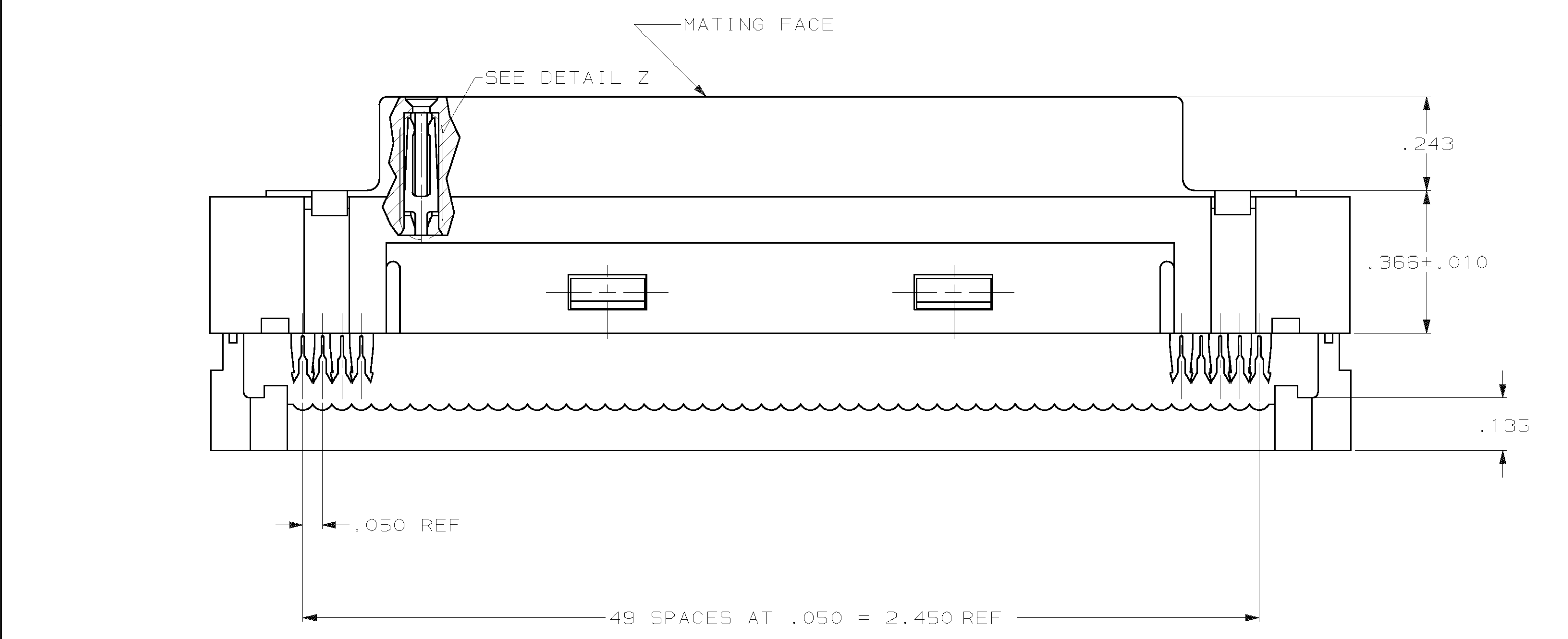


LOC		DIST		REVISIONS			
GP	00	TR	LYR	DESCRIPTION	DATE	DWN	APPR
		0		RELEASED PER EC 0513-0187-03	12 JUN 03	LB	CR



- CONNECTORS COMPLY WITH AMP SPEC 108-40012.
 - CONNECTOR DESIGNED FOR 28 AND 26 AWG STRANDED AND SOLID CONDUCTOR RIBBON CABLE ON .050 ϕ .
- $\triangle 3$ DIMENSION APPLIES TO TERMINATED CONNECTOR.
 $\triangle 4$ MOLDED PARTS: FLAME RETARDANT 94V-0 RATED THERMOPLASTIC; COLOR: BLACK.
 $\triangle 5$ STEEL PER QQ-5-698.
 $\triangle 6$ PH BRZ PER QQ-B-750.
 $\triangle 7$ GOLD PLATING PER MIL-G-45204, BRIGHT TIN PLATING PER MIL-T-10727, NICKEL PLATING PER QQ-N-290.
 $\triangle 8$ BRIGHT TIN PLATED.
 $\triangle 9$ PLATED .000030 GOLD IN LOCALIZED GOLD PLATE AREA, .000100 - .000200 BRIGHT TIN ON TERMINATION END, ALL OVER .000050 NICKEL ON ENTIRE CONTACT.
 $\triangle 10$ THE MAX SCREW PENETRATION INTO THE CONNECTOR = .312.



1658606-1
PART NO

THIS DRAWING IS A CONTROLLED DOCUMENT.		DWN L. BAUM 6/12/03	AMP Incorporated Harrisburg, PA 17105-3608
DIMENSIONS: INCH		CHK C. RÖHDE 6/12/03	
TOLERANCES UNLESS OTHERWISE SPECIFIED:		APPR M. WALMSLEY 6/12/03	NAME RECPT ASSY, HDF, FRONT METAL SHELL LEAD-FREE, AMP-LATCH
0 PLC ±- 1 PLC ±- 2 PLC ±- 3 PLC ±.005 4 PLC ±- ANGLES ±2°		PRODUCT SPEC -	APPLICATION SPEC -
MATERIAL MOLDED PARTS: $\triangle 4$ SHELL: $\triangle 5$ CONTACTS: $\triangle 6$	FINISH SHELL: $\triangle 7$ CONTACTS: $\triangle 8$	WEIGHT -	SIZE A1
CUSTOMER DRAWING		SCALE NTS	RESTRICTED TO SHEET 1 OF 1 REV 0