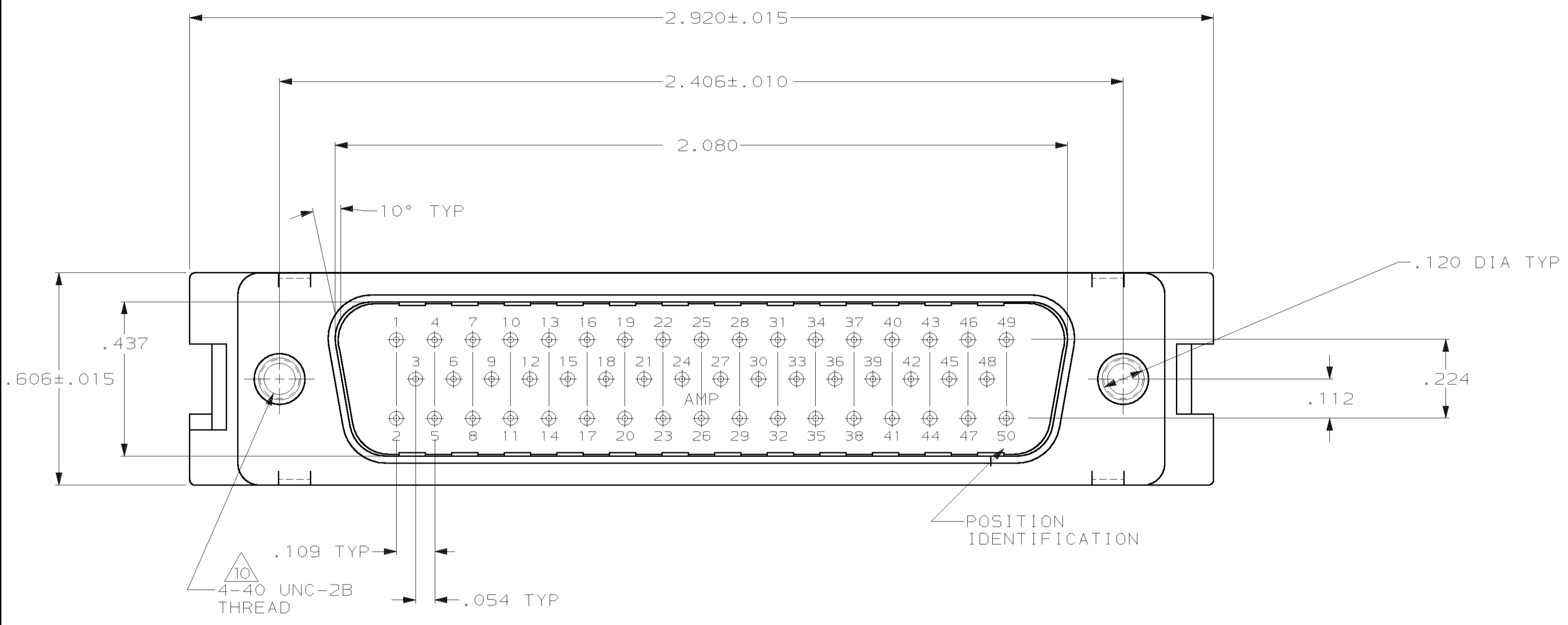
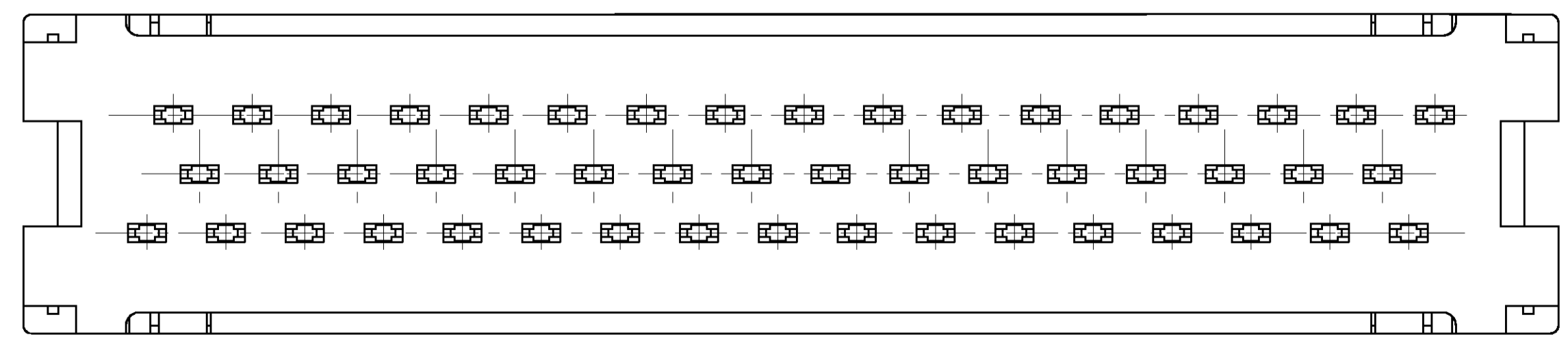
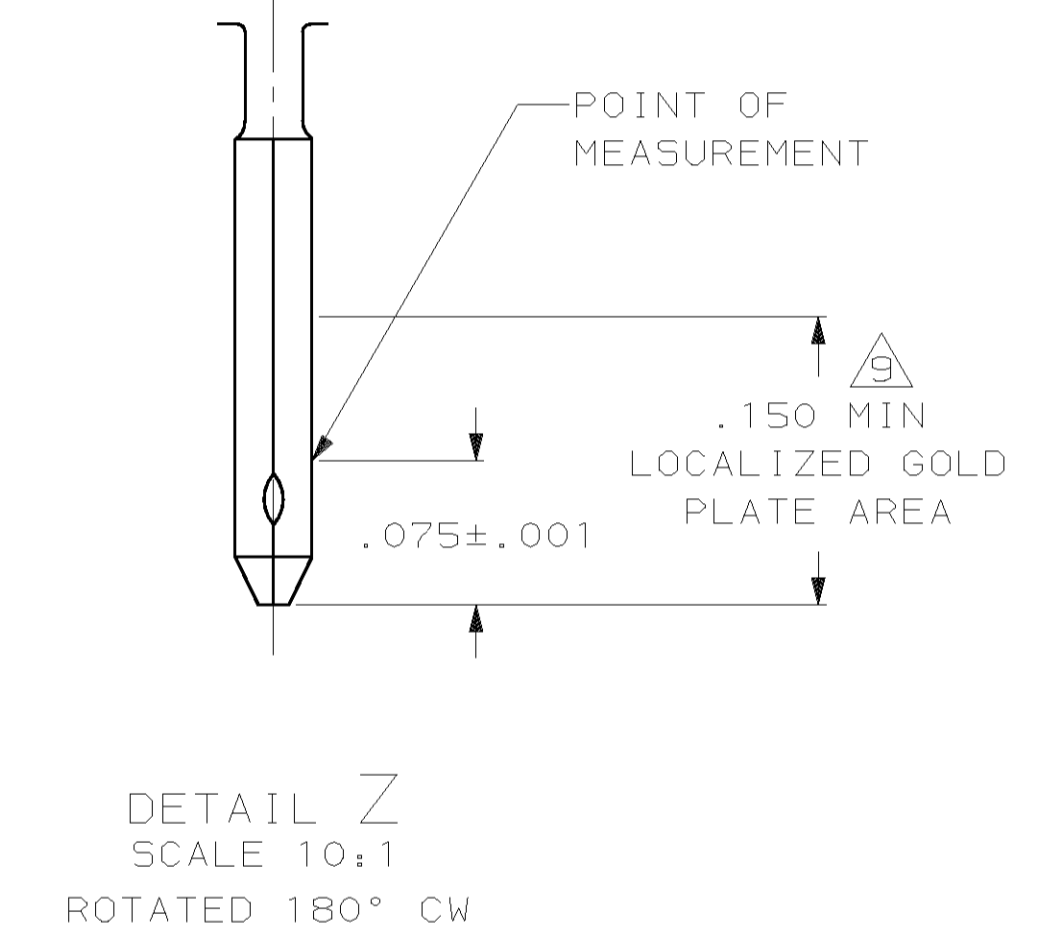
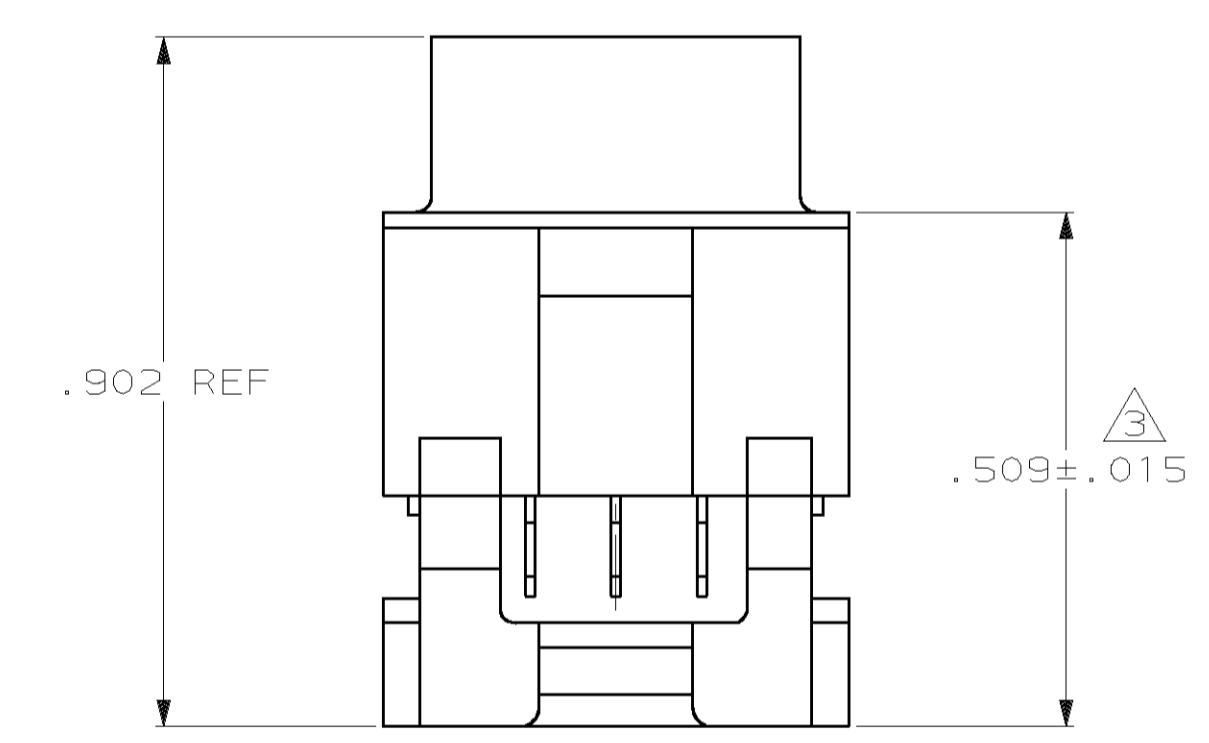
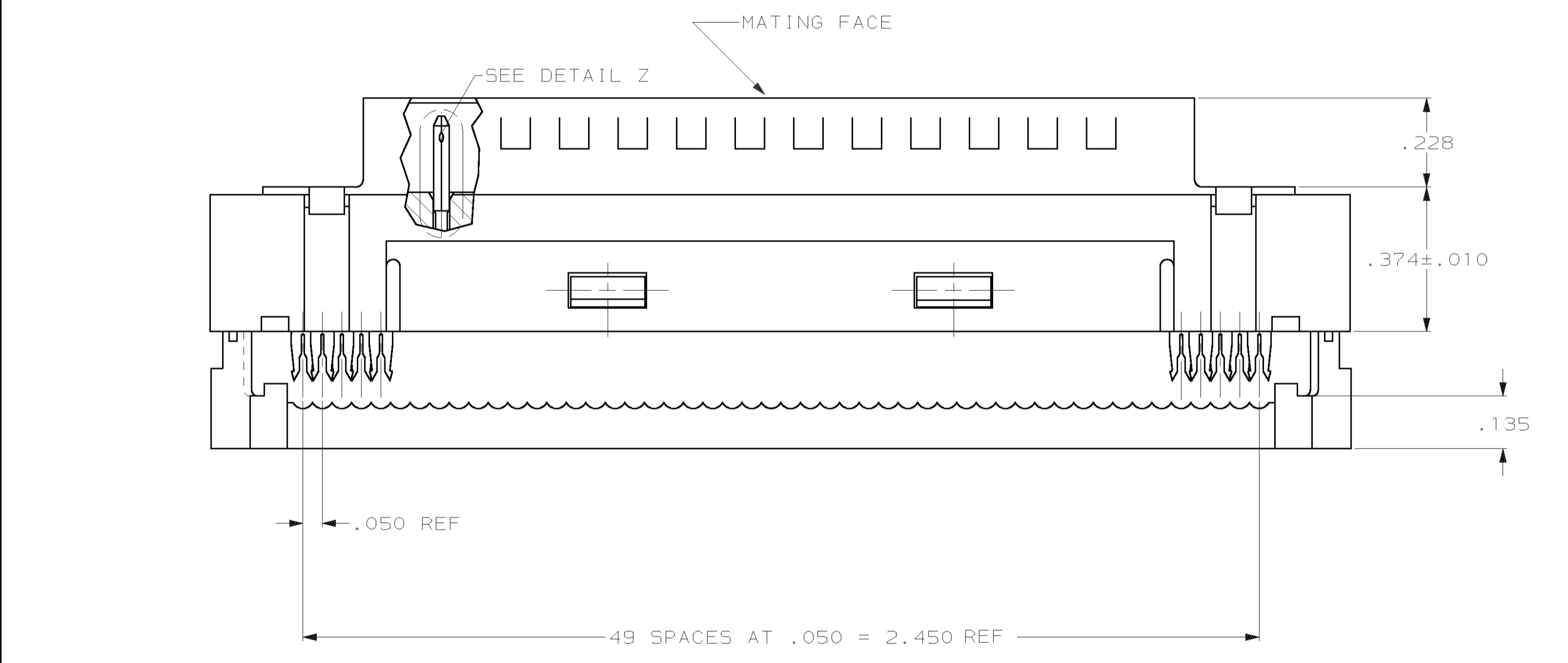


LOC		DIST		REVISIONS			
GP	00	FR	LYR	DESCRIPTION	DATE	DWN	APPR
		0		RELEASED PER EC 0513-0187-03	12 JUN 03	LB	CR



- CONNECTORS COMPLY WITH AMP SPEC 108-40012.
  - CONNECTOR DESIGNED FOR 28 AND 26 AWG STRANDED AND SOLID CONDUCTOR RIBBON CABLE ON .050  $\phi$ .
- DIMENSION APPLIES TO TERMINATED CONNECTOR.  
 MOLDED PARTS: FLAME RETARDANT 94V-0 RATED THERMOPLASTIC; COLOR: BLACK.  
 STEEL PER QQ-S-698.  
 PH BRZ PER QQ-B-750.  
 GOLD PLATING PER MIL-G-45204, BRIGHT TIN PLATING PER MIL-T-10727, NICKEL PLATING PER QQ-N-290.  
 BRIGHT TIN PLATED.  
 .000030 GOLD ON MATING END, .000100 - .000200 BRIGHT TIN ON TERMINATION END, ALL OVER .000050 NICKEL ON ENTIRE CONTACT.  
 THE MAX SCREW PENETRATION INTO THE CONNECTOR = .312.



1658607-1  
PART NO

THIS DRAWING IS A CONTROLLED DOCUMENT.		DWN L. BAUM 6/12/03	AMP Incorporated Harrisburg, PA 17105-3608
DIMENSIONS: INCH		CHK C. HOHDE 6/12/03	
TOLERANCES UNLESS OTHERWISE SPECIFIED:		APP'D M. WALMSLEY 6/12/03	NAME PLUG ASSY, 50 POS, LOW PROFILE HDF, FRONT METAL SHELL, LEAD-FREE, AMP-LATCH
0 PLC ±- 1 PLC ±- 2 PLC ±- 3 PLC ±.005 4 PLC ±- ANGLES ±2°		APPLICATION SPEC	RESTRICTED TO
MATERIAL: MOLDED PARTS, SHELL, CONTACTS		FINISH: SHELL, CONTACTS	SIZE: A1 CAGE CODE: 00779 DRAWING NO: 1658607 WEIGHT: - CUSTOMER DRAWING
SCALE: NTS		SHEET: 1 OF 1	REV: 0