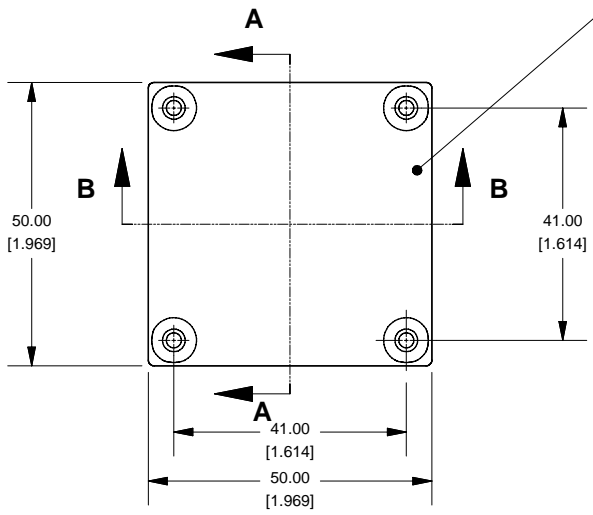
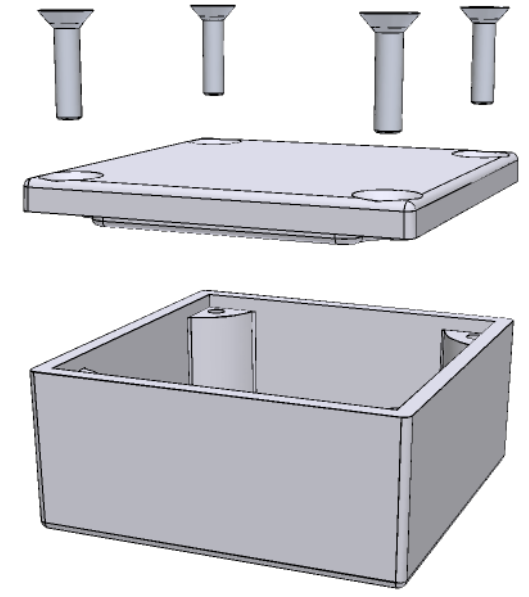
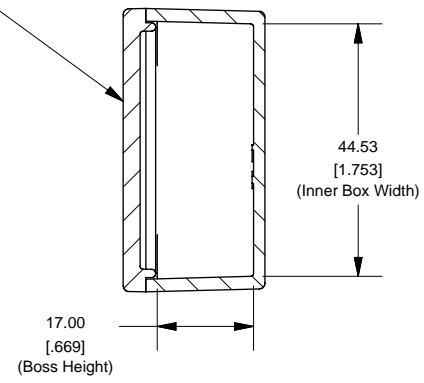


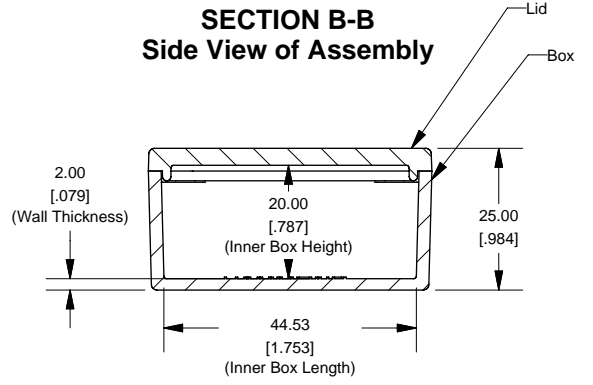
### Top View of Assembly



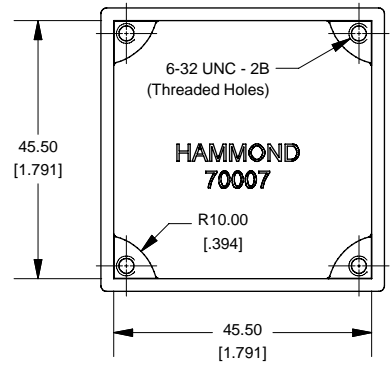
### SECTION A-A End View of Assembly



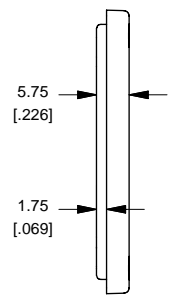
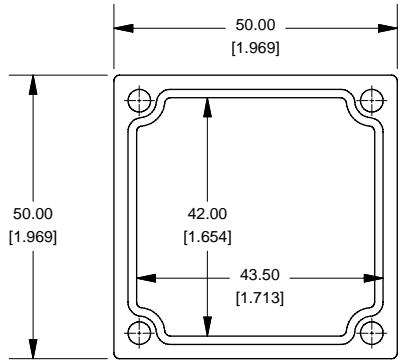
### SECTION B-B Side View of Assembly



### Top View Looking Inside Box



### Lid



Enclosures can be Factory Modified ( Milling, Drilling, Printing etc. )  
 Solid models of this enclosure available in STEP or IGES.  
 Contact Factory [jelkins@hammond-electronics.co.uk](mailto:jelkins@hammond-electronics.co.uk)

<b>NOTE</b>	
Purchased assembly includes Deep Lid, Base Plate and 4 cover screws.	
Eddystone 70007	
<b>PART INFORMATION</b>	
Part Number:	70007
Material:	Diecast Aluminum Alloy (Type LM24)
Cover Screw Type:	M3.5 x 12 taptite screws (Screws accept POZDRIV No. 2 screwdriver)

**HAMMOND MANUFACTURING™**  
 70007  
[www.hammondmfg.com](http://www.hammondmfg.com)