

**System pitch 10.16 mm (0.400 inch) - SU/BU
SU 10.16HP/02/180G 3.5AG BK BX**

Weidmüller Interface GmbH & Co. KG
Klingenbergstraße 16
D-32758 Detmold
Germany
Fon: +49 5231 14-0
Fax: +49 5231 14-2083
www.weidmueller.com



Single-row, high-current male connector, for side-by-side mounting without losing any poles or with patented flange for fast fixing without tools. Maximum connection and operating reliability thanks to pin arrangement that prevents wrong connections, unique coding diversity, additional fixing and integral positioning aid. 3.5 mm pin length is optimised for wave soldering, plug-in direction 180° to solder pins.

- 1000 V (IEC) / 600 V (UL)
- 6 A (IEC) / 54 A (UL)

General ordering data

Material number	1813410000
Short text for material	SU 10.16HP/02/180G 3.5AG BK BX
Article - short description	PCB plug-in connector, male header, closed side, Solder connection, 10.16 mm, No. of poles: 2, 180°, Solder pin length: 3.5 mm, silver-plated, black, Box
EAN	4032248297603
Qty.	50 pc(s).
Packaging	Box

**System pitch 10.16 mm (0.400 inch) - SU/BU
SU 10.16HP/02/180G 3.5AG BK BX**

Weidmüller Interface GmbH & Co. KG
Klingenbergstraße 16
D-32758 Detmold
Germany
Fon: +49 5231 14-0
Fax: +49 5231 14-2083
www.weidmueller.com

Technical data

System parameters

Fitted to PCB	Solder connection	Outgoing elbow	180°
Pitch in mm	10.16 mm	Pitch in inch	0.4 inch
No. of poles	2	Solder pin length	3.5 mm
Can be coded	Yes	No. of rows	1
Number of solder pins per pole	3	Diameter of solder eyelet	1.6 mm
Tolerance of the diameter of the solder eyelet	+ 0,1 mm	L1 in mm	10.16 mm
L1 in inch	0.4 inch	Insulation resistance	10 ³ Ω
Electric shock protection to DIN VDE 0470	IP20 plugged	Electric shock protection to DIN VDE 57 106	Safe from finger touch, plugged

Material data

Insulating material	PBT GF	Colour	black
Insulating material group	IIIa	Flammability class UL 94	V-0
CTI	≥ 600	Contact material	Copper alloy
Contact surface	silver-plated	Highest continuous operating temperature, min.	-25 °C
Highest continuous operating temperature, max.	120 °C	Max. relative humidity during storage	80 %

DIN IEC rating data

Rated current, min. No. of poles (Tu=20°C)	74 A	Rated current, no. of poles (Tu=40°C), min.	68 A
Rated voltage at overvoltage category/pollution degree III/3	690 V	Rated impulse withstand voltage for overvoltage class/pollution severity III/3	8 kV
Rated voltage for overvoltage class/pollution severity III/2	1,000 V	Rated impulse withstand voltage for overvoltage class/pollution severity III/2	8 kV
Rated voltage for overvoltage class/pollution severity II/2	1,000 V	Rated impulse withstand voltage for overvoltage class/pollution severity II/2	6 kV
Short-time withstand current resistance	3 x 1s mit 1000 A		

CSA rating data

Rated voltage (Use group B)	300 V	Rated current (use group B)	54 A
Rated voltage (Use group C)	300 V	Rated current (use group C)	54 A
Rated voltage (use group D)	600 V	Rated current (use group D)	5 A

UL 1059 rating data

Rated voltage (use group B)	300 V	Rated current (use group B)	54 A
Rated voltage (use group C)	300 V	Rated current (use group C)	54 A
Rated voltage (use group D)	600 V	Rated current (use group D)	5 A

Approvals

Approvals CURUS; GOSTME25; ROHS

Classifications

ETIM 3.0	EC001284	ETIM 4.0	EC002637
UNSPSC	30-21-18-10	eClass 4.1	27-26-07-01
eClass 5.1	27-26-07-04	eClass 6.0	27-26-07-04

Datasheet**System pitch 10.16 mm (0.400 inch) - SU/BU
SU 10.16HP/02/180G 3.5AG BK BX****Weidmüller Interface GmbH & Co. KG**
Klingenbergstraße 16
D-32758 Detmold
Germany
Fon: +49 5231 14-0
Fax: +49 5231 14-2083
www.weidmueller.com**Technical data****Notes**

Notes

- Additional colours on request
- Rated current related to rated cross-section and min. No. of poles.
- The data given under CSA relates to a cUL approval - E60693
- P on drg. = pitch
- Rated data refer only to the component itself. Clearance and creepage distances to other components are to be designed in accordance with the relevant application standards.

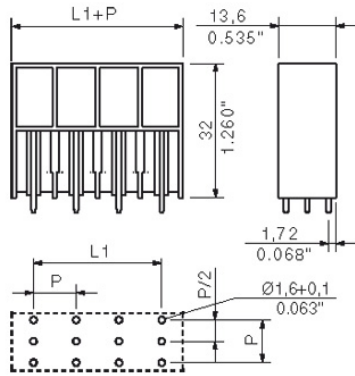
DownloadsCAD Library (P-CAD Format - ASCII) [SU.LIA](#)CAD Library (P-CAD Format - Standard) [SU.LIB](#)[3D model](#)

Datasheet

**System pitch 10.16 mm (0.400 inch) - SU/BU
SU 10.16HP/02/180G 3.5AG BK BX**

Weidmüller Interface GmbH & Co. KG
Klingenbergstraße 16
D-32758 Detmold
Germany
Fon: +49 5231 14-0
Fax: +49 5231 14-2083
www.weidmueller.com

Drawings



System pitch 10.16 mm (0.400 inch) - SU/BU SU 10.16HP/02/180G 3.5AG BK BX

Weidmüller Interface GmbH & Co. KG
 Klingenbergstraße 16
 D-32758 Detmold
 Germany
 Fon: +49 5231 14-0
 Fax: +49 5231 14-2083
 www.weidmueller.com

Mating connector (fully pluggable)

BUZ 10.16HP/180



High-performance female connector with the tried-and-tested, guaranteed zero-maintenance, Weidmüller steel clamping yoke. Side-by-side mounting without losing any poles or with patented multifunction flange for secure, fast fixing without tools. Maximum connection and operating reliability thanks to pin arrangement that prevents wrong connections or wrong wiring, unique coding diversity, 4-point silver contact.

- 0.20 - 16 mm² (IEC) / 22 - 6 AWG (UL)
- 1000 V (IEC) / 600 V (UL)
- 69 A (IEC) / 54 A (UL)

General ordering data

Material number	Short text for material	Article - short description	EAN	Qty.	Packaging
1924540000	BUZ 10.16HP/02/180 AG BK BX	PCB plug-in connector, female plug, 10.16 mm, No. of poles: 2, 180°, Clamping yoke connection, Clamping range, rated connection, max.: 16 mm ² , Box	4032248564057	50 pc(s).	Box

BUZ 10.16/180



High-current female connector with the tried-and-tested, guaranteed zero-maintenance, Weidmüller steel clamping yoke. Side-by-side mounting without losing any poles or with patented multifunction flange for secure, fast fixing without tools. Maximum connection and operating reliability thanks to pin arrangement that prevents wrong connections or wrong wiring, unique coding diversity, 4-point silver contact.

- 0.20 - 16 mm² (IEC) / 22 - 6 AWG (UL)
- 1000 V (IEC) / 600 V (UL)
- 69 A (IEC) / 54 A (UL)

General ordering data

Material number	Short text for material	Article - short description	EAN	Qty.	Packaging
1813810000	BUZ 10.16/02/180 AG BK BX	PCB plug-in connector, female plug, 10.16 mm, No. of poles: 2, 180°, Clamping yoke connection, Clamping range, rated connection, max.: 16 mm ² , Box	4032248298037	50 pc(s).	Box

System pitch 10.16 mm (0.400 inch) - SU/BU SU 10.16HP/02/180G 3.5AG BK BX

Weidmüller Interface GmbH & Co. KG
Klingenbergstraße 16
D-32758 Detmold
Germany
Fon: +49 5231 14-0
Fax: +49 5231 14-2083
www.weidmueller.com

Mating connector (conditionally pluggable)

BUZ 10.16HP/180SF



High-performance female connector with the tried-and-tested, guaranteed zero-maintenance, Weidmüller steel clamping yoke. Side-by-side mounting without losing any poles or with patented multifunction flange for secure, fast fixing without tools. Maximum connection and operating reliability thanks to pin arrangement that prevents wrong connections or wrong wiring, unique coding diversity, 4-point silver contact.

- 0.20 - 16 mm² (IEC) / 22 - 6 AWG (UL)
- 1000 V (IEC) / 600 V (UL)
- 69 A (IEC) / 54 A (UL)

General ordering data

Material number	Short text for material	Article - short description	EAN	Qty.	Packaging
1924700000	BUZ 10.16HP/02/180SF AG BK BX	PCB plug-in connector, female plug, 10.16 mm, No. of poles: 2, 180°, Clamping yoke connection, Clamping range, rated connection, max.: 16 mm ² , Box	4032248564859	50 pc(s).	Box

BUZ 10.16HP/180F



High-performance female connector with the tried-and-tested, guaranteed zero-maintenance, Weidmüller steel clamping yoke. Side-by-side mounting without losing any poles or with patented multifunction flange for secure, fast fixing without tools. Maximum connection and operating reliability thanks to pin arrangement that prevents wrong connections or wrong wiring, unique coding diversity, 4-point silver contact.

- 0.20 - 16 mm² (IEC) / 22 - 6 AWG (UL)
- 1000 V (IEC) / 600 V (UL)
- 69 A (IEC) / 54 A (UL)

General ordering data

Material number	Short text for material	Article - short description	EAN	Qty.	Packaging
1924620000	BUZ 10.16HP/02/180F AG BK BX	PCB plug-in connector, female plug, 10.16 mm, No. of poles: 2, 180°, Clamping yoke connection, Clamping range, rated connection, max.: 16 mm ² , Box	4032248564736	50 pc(s).	Box

System pitch 10.16 mm (0.400 inch) - SU/BU SU 10.16HP/02/180G 3.5AG BK BX

Weidmüller Interface GmbH & Co. KG
 Klingenbergstraße 16
 D-32758 Detmold
 Germany
 Fon: +49 5231 14-0
 Fax: +49 5231 14-2083
 www.weidmueller.com

Mating connector (conditionally pluggable)

BUZ 10.16/180SF



High-current female connector with the tried-and-tested, guaranteed zero-maintenance, Weidmüller steel clamping yoke. Side-by-side mounting without losing any poles or with patented multifunction flange for secure, fast fixing without tools. Maximum connection and operating reliability thanks to pin arrangement that prevents wrong connections or wrong wiring, unique coding diversity, 4-point silver contact.

- 0.20 - 16 mm² (IEC) / 22 - 6 AWG (UL)
- 1000 V (IEC) / 600 V (UL)
- 69 A (IEC) / 54 A (UL)

General ordering data

Material number	Short text for material	Article - short description	EAN	Qty.	Packaging
1850630000	BUZ 10.16/02/180SF AG BK BX	PCB plug-in connector, female plug, 10.16 mm, No. of poles: 2, 180°, Clamping yoke connection, Clamping range, rated connection, max.: 16 mm ² , Box	4032248381173	50 pc(s).	Box

BUZ 10.16/180F



High-current female connector with the tried-and-tested, guaranteed zero-maintenance, Weidmüller steel clamping yoke. Side-by-side mounting without losing any poles or with patented multifunction flange for secure, fast fixing without tools. Maximum connection and operating reliability thanks to pin arrangement that prevents wrong connections or wrong wiring, unique coding diversity, 4-point silver contact.

- 0.20 - 16 mm² (IEC) / 22 - 6 AWG (UL)
- 1000 V (IEC) / 600 V (UL)
- 69 A (IEC) / 54 A (UL)

General ordering data

Material number	Short text for material	Article - short description	EAN	Qty.	Packaging
1813890000	BUZ 10.16/02/180F AG BK BX	PCB plug-in connector, female plug, 10.16 mm, No. of poles: 2, 180°, Clamping yoke connection, Clamping range, rated connection, max.: 16 mm ² , Box	4032248298112	50 pc(s).	Box