

PRO-SIGNAL

AERIAL OUTDOOR DVB-T UHF 28dB

Model No.: PSG08011

Amplified version



INTRODUCTION:

This is a special designed antenna for digital terrestrial TV broadcasting reception. It is the best solution for home reception and digital portable TV reception. The antenna is an active antenna that can be used with TV or Set-top-box which supports coaxial cable powering, or using a power adaptor for external powering is supported. Includes complete accessories for wall or pole mounting. With the anti-UV and water proof housing, it can be used both indoor and outdoor.

Technical Data:

- Frequency range: VHF: 174-230MHz; UHF: 470-862MHz
- Gain: 28dB
- Max. Output level: 100dB μ V
- Power supply: by DTV set-top box (DC 5V 40mA) or via AC/DC adaptor (DC 12V 50mA)
- Impedance: 75 Ω
- Connector: F connector
- Noise figure: \leq 3dB

Included in Package:

Before start your installation, please check the contents.

1. Antenna main unit
2. Wall mounting accessories
3. pole mounting accessories
4. AC/DC power adaptor
5. DC power insert
6. Coaxial cable



Product Features:

- SMD circuit technology design
- Stylish and compact size design
- Shielded for minimum interference.
- Built-in high gain and low noise amplifier
- Portable for mobile use (camping, boating, etc)
- Anti-UV coating and waterproof design for durability
- Powered by DTV set-top box or included separate power adapter.
- Specially Compatible with HDTV of various digital terrestrial signal (DVB-T, ISDB-T, DMB-T/H, ATSC) and DAB radios.

Operation Instruction:

Note: For the best reception, please check the following conditions

1. Keep the antenna away from the sources of interference: keep the antenna away from those big power consumption devices, such as air conditioner, elevator, hair dryer and microwave oven...ect.
2. Place the antenna near windows when use the antenna in indoor environment.
3. Install the antenna as high as possible: in digital terrestrial reception, if there are some interceptions between antenna and transmission tower, it will cause the signal loss temporary. So if the antenna is installed as possible, those interceptions will be reduced.

Mounting the antenna:

This antenna can be used both indoor and outdoor, with the included mounting accessories, it can be mounted on the wall or the pole.

(Fig.1) use the pole mounting accessories to fix the antenna on the pole.

(Fig.2) use the wall mounting accessories to fix the antenna on the wall

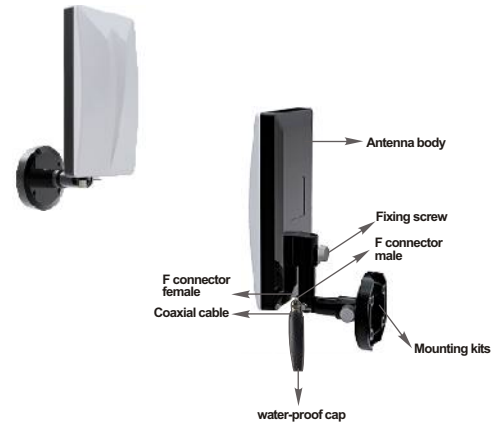


Fig.1

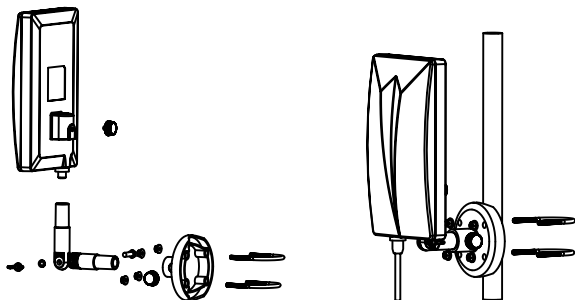
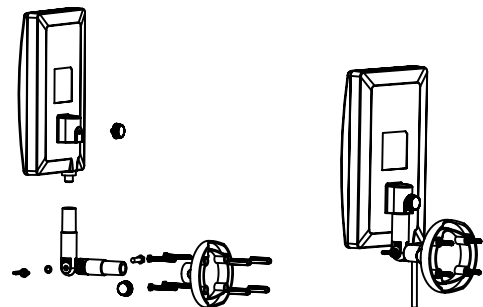
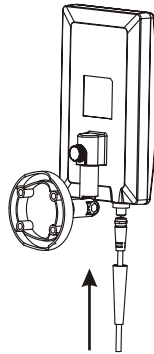


Fig.2



(Fig.3) connect the “F” male connector of the coaxial cable to the “F” female connector of the antenna, and wear the water-proof cap to the end of the connected “F” connector.

Fig.3



Note: After the antenna mounting is finished, please move the antenna to a best reception position and then fix it. Please take reference of following 2 different positioning way to adjust the antenna position.

(Fig.4) through the fixing screw A to adjust the antenna position in vertical direction

(Fig.5) through the fixing screw B to adjust the antenna position left or right in horizontal direction

Fig.4

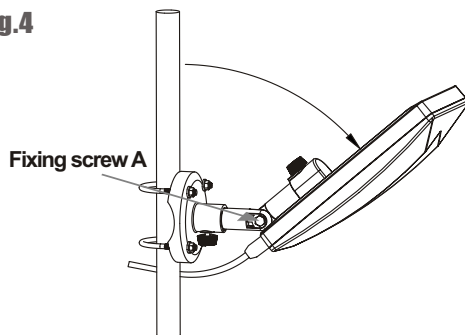
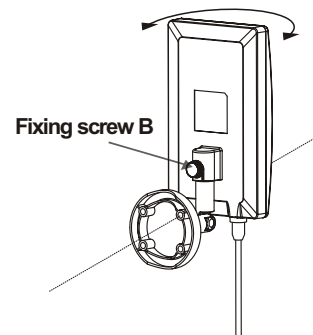


Fig.5



Installation1: Powered by DTV set-top-box (Fig.6)

Please be noticed, in this installation, you need to make sure that your set-top-box can support coaxial cable 5V DC powering via the IEC or F connector to antenna.

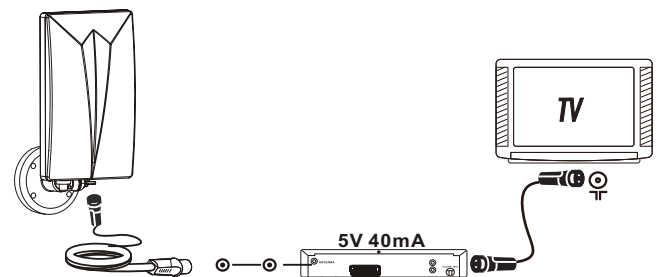
Step1.Connect the coaxial cable with antenna and DTV set-top-box

Step2.Connect the DTV set-top-box to your TV. Please make sure the coaxial cable powering function of your STB is ON. (Please check The operational manual of your STB for coaxial cable powering function)

Step3.Adjust the antenna in the best position that can get clear TV picture, then fix the antenna

Step4. Organize the Coaxial Cable for neat, tidy and safety.

(Fig.6)



Installation 2: Powered by AC/DC Adaptor (Fig.7)

Step1. Connect the coaxial cable with antenna and the power insert (the side with “antenna” text mark).

Step2. Connect the other side of power insert to DTV set-top-box.

Step3. Connect the DTV set-top-box to your TV

Step4. Connect the power adapter DC output jack to the DC input connector of the Power insert, and then plug the AC/DC power adapter into the AC power socket.

Step5. Adjust the antenna in the best position that can get clear TV picture, then fix the antenna

Step6. Organize the Coaxial Cable for neat, tidy and safety.

(Fig.7)

