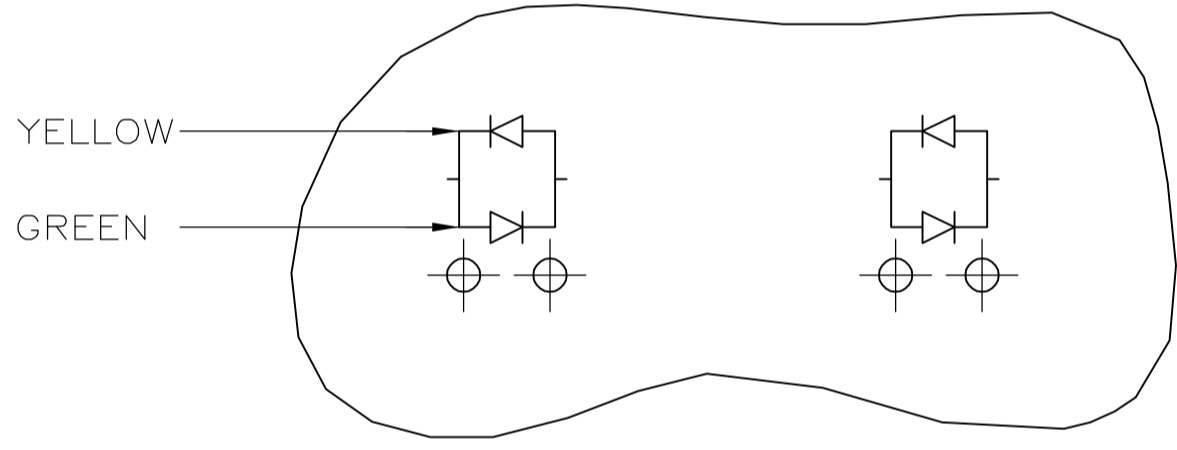
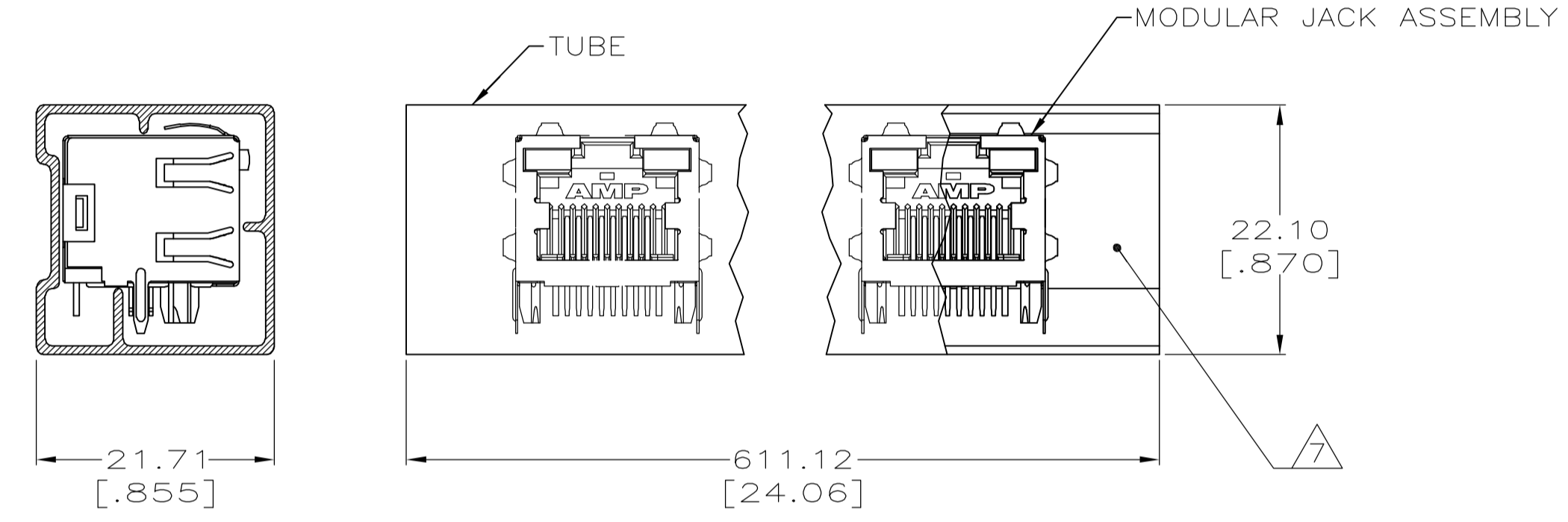
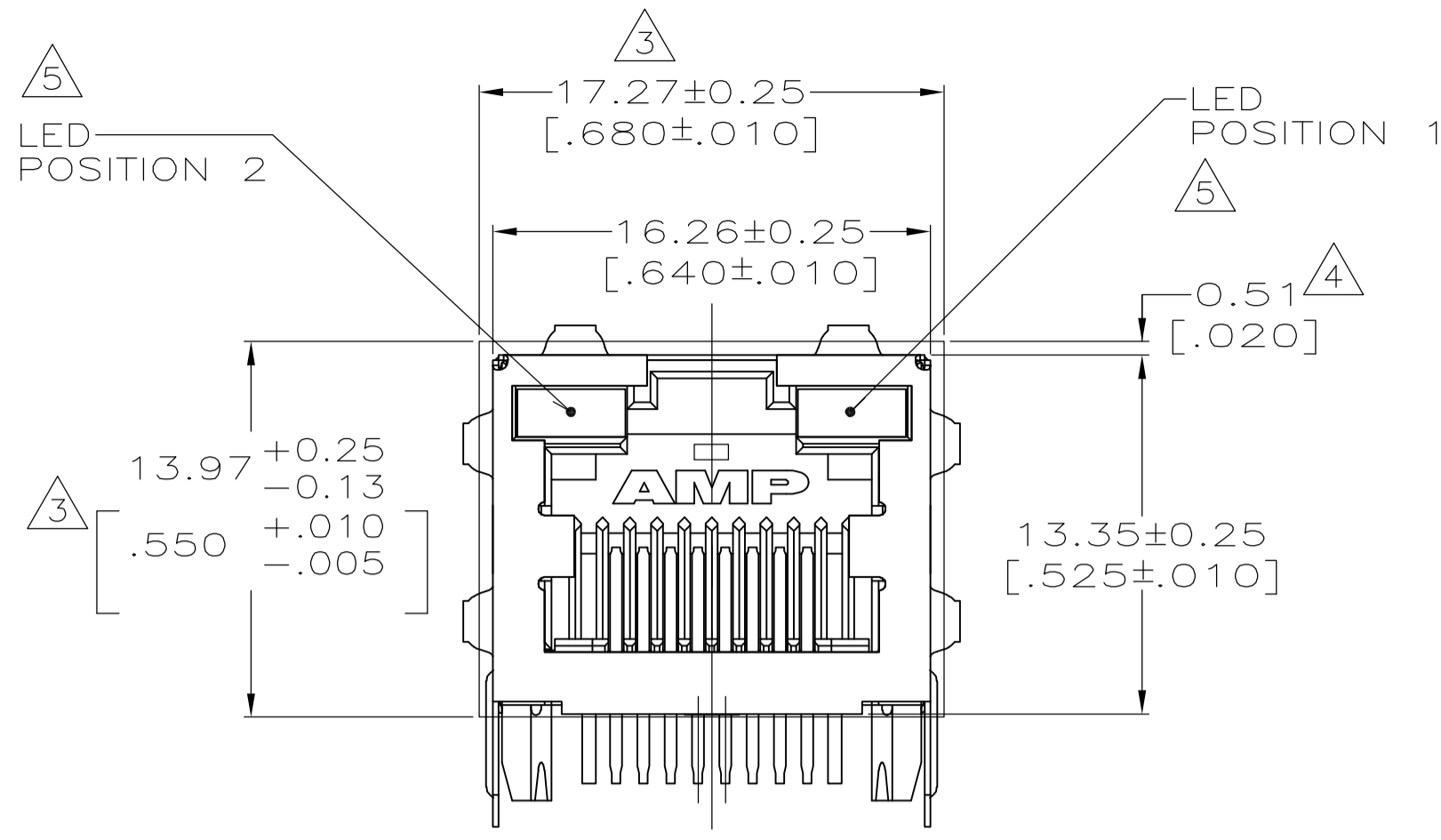
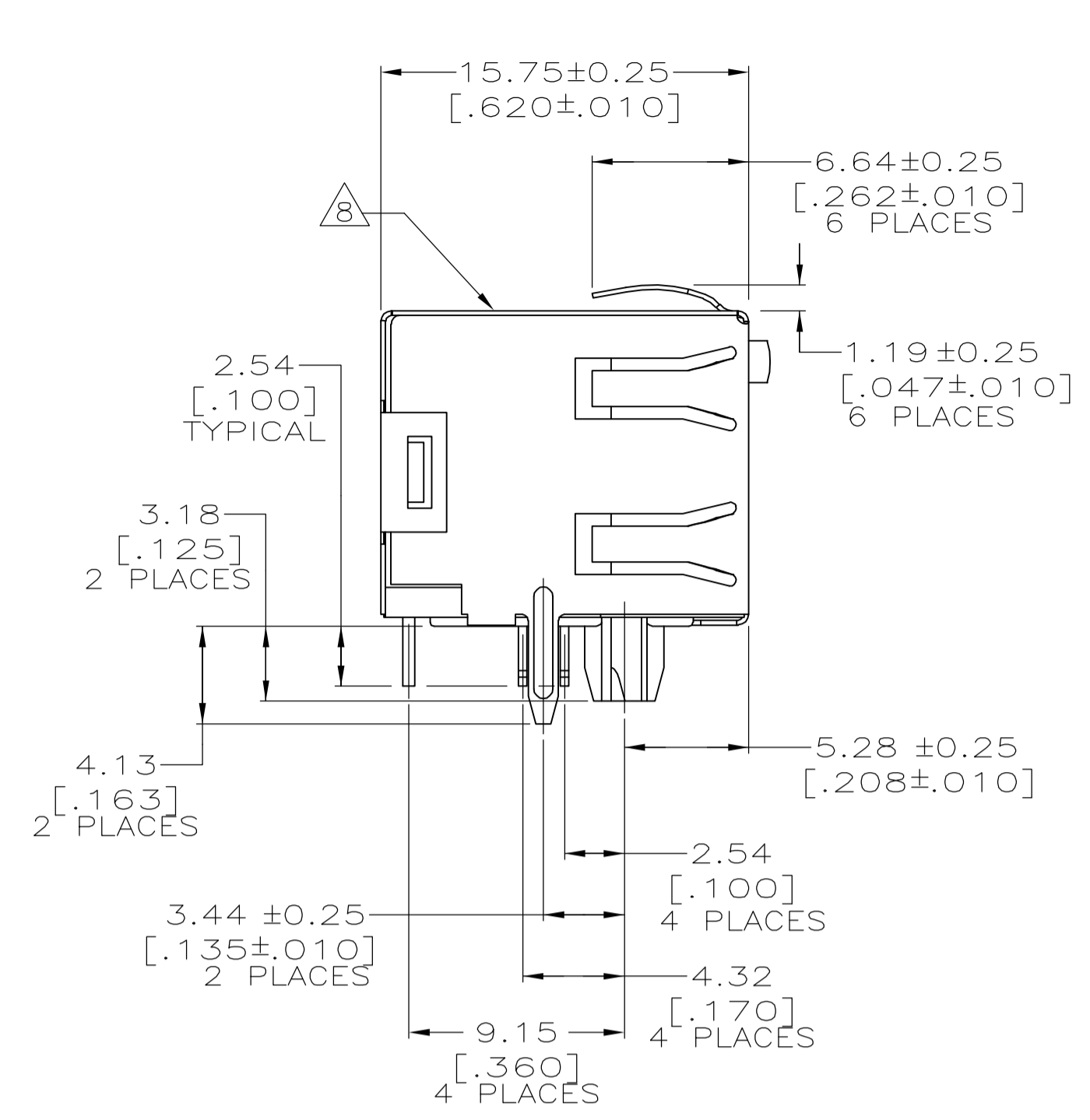
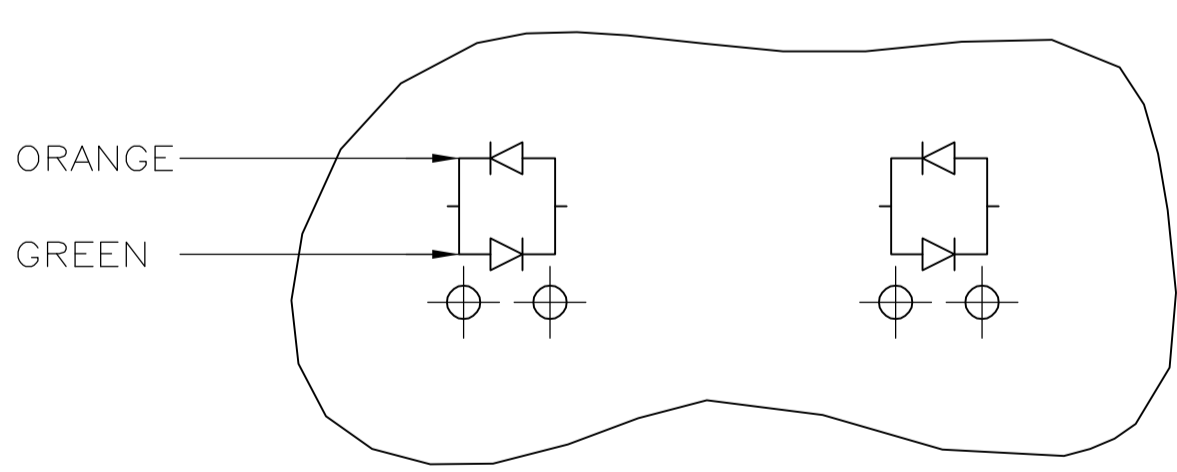


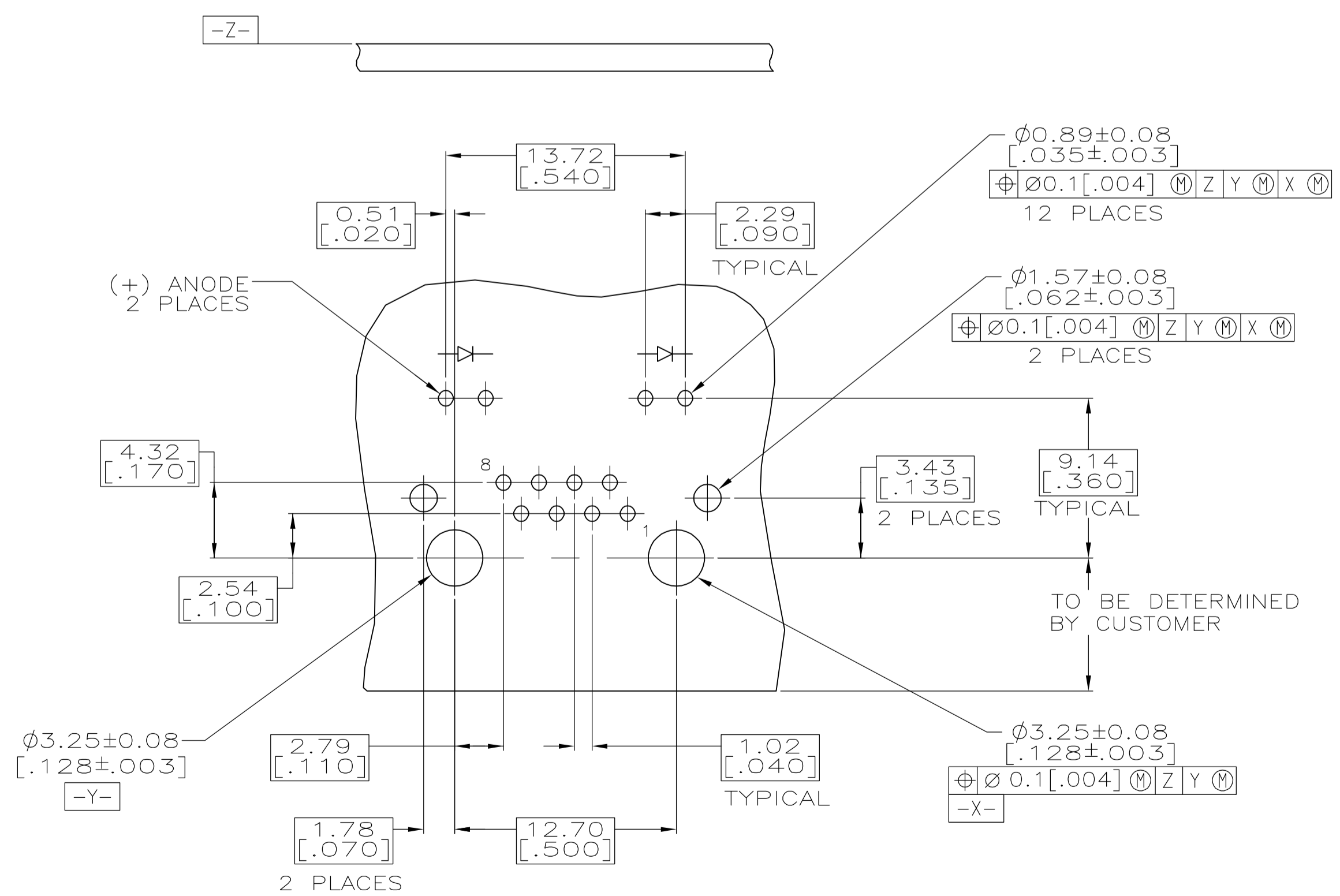
REVISONS		DATE	BY	APP'D
AA	22	19AUG04	SW	BK
K	REVISED PER EC 0511-0155-04			



LED CURRENT DIAGRAM
406549-8 ONLY



LED CURRENT DIAGRAM
406549-7 ONLY



SUGGESTED PRINTED CIRCUIT BOARD LAYOUT
(COMPONENT SIDE)

- 1 MATERIAL: HOUSING - HIGH TEMPERATURE THERMOPLASTIC, BLACK, UL94V-0.
TERMINALS - 0.36[.014] THICK PHOS BRONZE PLATED WITH 3.81µm[.000150] MINIMUM THICK BRIGHT (SEE P/N TABLE) IN SOLDER AREA. 1.27µm[.000050] MINIMUM GOLD IN LOCALIZED PLATE AREA. ENTIRE TERMINAL PLATED WITH 1.27µm[.000050] MINIMUM THICK NICKEL.
SHIELD - 0.196[.0077] THICK COPPER ZINC ALLOY PREPLATED WITH 1.27µm[.000050] MINIMUM SATIN NICKEL WITH 2.03µm[.000080] MINIMUM (SEE P/N TABLE) POST-DIPPED ON PCB GROUND TABS.
LIGHT EMITTING DIODE (LED) - DIFFUSED EPOXY LENS, 0.51 x 0.51[.020 x .020] CARBON STEEL WIREFRAME LEADS PREPLATED WITH 2.29µm[.000090] SILVER OVER 1.02µm[.000040] NICKEL UNDERPLATE OVER 2.03µm[.000080] COPPER UNDERPLATE. POST-PLATED WITH 6.35-13.97µm[.000250-.000550] THICK (SEE P/N TABLE).
- 2. JACK CAVITY CONFORMS TO FCC RULES AND REGULATIONS PART 68, SUBPART F.
- 3 SUGGESTED PANEL OPENING DIMENSIONS.
- 4 SUGGESTED CLEARANCE BETWEEN TOP OF CONNECTOR AND TOP PANEL OPENING.
- 4 SEE TABLE FOR COLOR OF LEADS AND NUMBER REQUIRED.
- 6. THIS MODULAR JACK WITH INTEGRATED LED IS NOT IR REFLOW SOLDERING PROCESS COMPATIBLE.
- 7 PACKAGED 30 PIECES PER TUBE, SEE DETAIL "A".
- 8 MANUFACTURING DATE CODE:
BLACK INK STAMP, LOCATED APPROX. AS SHOWN.
FIRST 2 DIGITS = LAST 2 DIGITS OF YEAR.
NEXT 2 DIGITS = MANUFACTURING WORK WEEK.
LAST DIGIT = DAY OF WEEK WITH SUNDAY = 1.

TERMINAL	PLATING	FINISH	PACKAGE	INDICATOR COLOR	PART NUMBER
1	SnAgCu	TIN	TUBE	GREEN	YELLOW
2	SnAgCu	TIN	TUBE	YELLOW	GREEN
3	SnAgCu	TIN	TUBE	YELLOW	GREEN
4	SnAgCu	TIN	TRAY	ORANGE/GREEN	GREEN
5	SnAgCu	TIN	TRAY	ORANGE/GREEN	YELLOW
6	SnAgCu	TIN	TRAY	YELLOW/GREEN	YELLOW/GREEN
7	SnAgCu	TIN	TRAY	ORANGE/GREEN	ORANGE/GREEN
8	SnAgCu	TIN	TRAY	YELLOW	YELLOW
9	SnAgCu	TIN	TRAY	GREEN	GREEN
10	SnAgCu	TIN	TRAY	YELLOW	-
11	SnAgCu	TIN	TRAY	-	GREEN
12	SnAgCu	TIN	TRAY	YELLOW	GREEN
13	TIN-LEAD	TIN-LEAD	TRAY	ORANGE/GREEN	GREEN
14	TIN-LEAD	TIN-LEAD	TRAY	ORANGE/GREEN	YELLOW
15	TIN-LEAD	TIN-LEAD	TRAY	YELLOW/GREEN	YELLOW/GREEN
16	TIN-LEAD	TIN-LEAD	TRAY	ORANGE/GREEN	ORANGE/GREEN
17	TIN-LEAD	TIN-LEAD	TRAY	YELLOW	YELLOW
18	TIN-LEAD	TIN-LEAD	TRAY	GREEN	GREEN
19	TIN-LEAD	TIN-LEAD	TRAY	YELLOW	-
20	TIN-LEAD	TIN-LEAD	TRAY	-	GREEN
21	TIN-LEAD	TIN-LEAD	TRAY	YELLOW	GREEN
22	TIN-LEAD	TIN-LEAD	TRAY	-	GREEN
23	TIN-LEAD	TIN-LEAD	TRAY	YELLOW	GREEN
24	TIN-LEAD	TIN-LEAD	TRAY	-	GREEN
25	TIN-LEAD	TIN-LEAD	TRAY	YELLOW	GREEN
26	TIN-LEAD	TIN-LEAD	TRAY	-	GREEN
27	TIN-LEAD	TIN-LEAD	TRAY	YELLOW	GREEN
28	TIN-LEAD	TIN-LEAD	TRAY	-	GREEN
29	TIN-LEAD	TIN-LEAD	TRAY	YELLOW	GREEN
30	TIN-LEAD	TIN-LEAD	TRAY	-	GREEN
31	TIN-LEAD	TIN-LEAD	TRAY	YELLOW	GREEN
32	TIN-LEAD	TIN-LEAD	TRAY	-	GREEN
33	TIN-LEAD	TIN-LEAD	TRAY	YELLOW	GREEN
34	TIN-LEAD	TIN-LEAD	TRAY	-	GREEN
35	TIN-LEAD	TIN-LEAD	TRAY	YELLOW	GREEN
36	TIN-LEAD	TIN-LEAD	TRAY	-	GREEN
37	TIN-LEAD	TIN-LEAD	TRAY	YELLOW	GREEN
38	TIN-LEAD	TIN-LEAD	TRAY	-	GREEN
39	TIN-LEAD	TIN-LEAD	TRAY	YELLOW	GREEN
40	TIN-LEAD	TIN-LEAD	TRAY	-	GREEN
41	TIN-LEAD	TIN-LEAD	TRAY	YELLOW	GREEN
42	TIN-LEAD	TIN-LEAD	TRAY	-	GREEN
43	TIN-LEAD	TIN-LEAD	TRAY	YELLOW	GREEN
44	TIN-LEAD	TIN-LEAD	TRAY	-	GREEN
45	TIN-LEAD	TIN-LEAD	TRAY	YELLOW	GREEN
46	TIN-LEAD	TIN-LEAD	TRAY	-	GREEN
47	TIN-LEAD	TIN-LEAD	TRAY	YELLOW	GREEN
48	TIN-LEAD	TIN-LEAD	TRAY	-	GREEN
49	TIN-LEAD	TIN-LEAD	TRAY	YELLOW	GREEN
50	TIN-LEAD	TIN-LEAD	TRAY	-	GREEN
51	TIN-LEAD	TIN-LEAD	TRAY	YELLOW	GREEN
52	TIN-LEAD	TIN-LEAD	TRAY	-	GREEN
53	TIN-LEAD	TIN-LEAD	TRAY	YELLOW	GREEN
54	TIN-LEAD	TIN-LEAD	TRAY	-	GREEN
55	TIN-LEAD	TIN-LEAD	TRAY	YELLOW	GREEN
56	TIN-LEAD	TIN-LEAD	TRAY	-	GREEN
57	TIN-LEAD	TIN-LEAD	TRAY	YELLOW	GREEN
58	TIN-LEAD	TIN-LEAD	TRAY	-	GREEN
59	TIN-LEAD	TIN-LEAD	TRAY	YELLOW	GREEN
60	TIN-LEAD	TIN-LEAD	TRAY	-	GREEN
61	TIN-LEAD	TIN-LEAD	TRAY	YELLOW	GREEN
62	TIN-LEAD	TIN-LEAD	TRAY	-	GREEN
63	TIN-LEAD	TIN-LEAD	TRAY	YELLOW	GREEN
64	TIN-LEAD	TIN-LEAD	TRAY	-	GREEN
65	TIN-LEAD	TIN-LEAD	TRAY	YELLOW	GREEN
66	TIN-LEAD	TIN-LEAD	TRAY	-	GREEN
67	TIN-LEAD	TIN-LEAD	TRAY	YELLOW	GREEN
68	TIN-LEAD	TIN-LEAD	TRAY	-	GREEN
69	TIN-LEAD	TIN-LEAD	TRAY	YELLOW	GREEN
70	TIN-LEAD	TIN-LEAD	TRAY	-	GREEN
71	TIN-LEAD	TIN-LEAD	TRAY	YELLOW	GREEN
72	TIN-LEAD	TIN-LEAD	TRAY	-	GREEN
73	TIN-LEAD	TIN-LEAD	TRAY	YELLOW	GREEN
74	TIN-LEAD	TIN-LEAD	TRAY	-	GREEN
75	TIN-LEAD	TIN-LEAD	TRAY	YELLOW	GREEN
76	TIN-LEAD	TIN-LEAD	TRAY	-	GREEN
77	TIN-LEAD	TIN-LEAD	TRAY	YELLOW	GREEN
78	TIN-LEAD	TIN-LEAD	TRAY	-	GREEN
79	TIN-LEAD	TIN-LEAD	TRAY	YELLOW	GREEN
80	TIN-LEAD	TIN-LEAD	TRAY	-	GREEN
81	TIN-LEAD	TIN-LEAD	TRAY	YELLOW	GREEN
82	TIN-LEAD	TIN-LEAD	TRAY	-	GREEN
83	TIN-LEAD	TIN-LEAD	TRAY	YELLOW	GREEN
84	TIN-LEAD	TIN-LEAD	TRAY	-	GREEN
85	TIN-LEAD	TIN-LEAD	TRAY	YELLOW	GREEN
86	TIN-LEAD	TIN-LEAD	TRAY	-	GREEN
87	TIN-LEAD	TIN-LEAD	TRAY	YELLOW	GREEN
88	TIN-LEAD	TIN-LEAD	TRAY	-	GREEN
89	TIN-LEAD	TIN-LEAD	TRAY	YELLOW	GREEN
90	TIN-LEAD	TIN-LEAD	TRAY	-	GREEN
91	TIN-LEAD	TIN-LEAD	TRAY	YELLOW	GREEN
92	TIN-LEAD	TIN-LEAD	TRAY	-	GREEN
93	TIN-LEAD	TIN-LEAD	TRAY	YELLOW	GREEN
94	TIN-LEAD	TIN-LEAD	TRAY	-	GREEN
95	TIN-LEAD	TIN-LEAD	TRAY	YELLOW	GREEN
96	TIN-LEAD	TIN-LEAD	TRAY	-	GREEN
97	TIN-LEAD	TIN-LEAD	TRAY	YELLOW	GREEN
98	TIN-LEAD	TIN-LEAD	TRAY	-	GREEN
99	TIN-LEAD	TIN-LEAD	TRAY	YELLOW	GREEN
100	TIN-LEAD	TIN-LEAD	TRAY	-	GREEN

THIS DRAWING IS A CONTROLLED DOCUMENT.

DIMENSIONS: mm [INCHES]	TOLERANCES UNLESS OTHERWISE SPECIFIED:	DWG: G. GARRETT 17-SEP-97	CHK: G. GARRETT 17-SEP-97	APVD: M. DERSTINE 17-SEP-97	NAME: M. DERSTINE	TYCO ELECTRONICS CORPORATION	Tyco Electronics Corporation Harrisburg, Pa 17105-3608
0 PLC ± -	1 PLC ± -	2 PLC ± 0.25[.01]	3 PLC ± 0.13[.005]	4 PLC ± -	ANGLES ± -	PRODUCT SPEC: 108-1163-4	APPLICATION SPEC: 114-2154
MATERIAL: 1	FINISH: 1	WEIGHT: -	SIZE: A1	CAGE CODE: 00779	DRAWING NO: 406549	RESTRICTED TO: -	CUSTOMER DRAWING
				SCALE: 4:1	SHEET: 1 OF 1	REV: K	