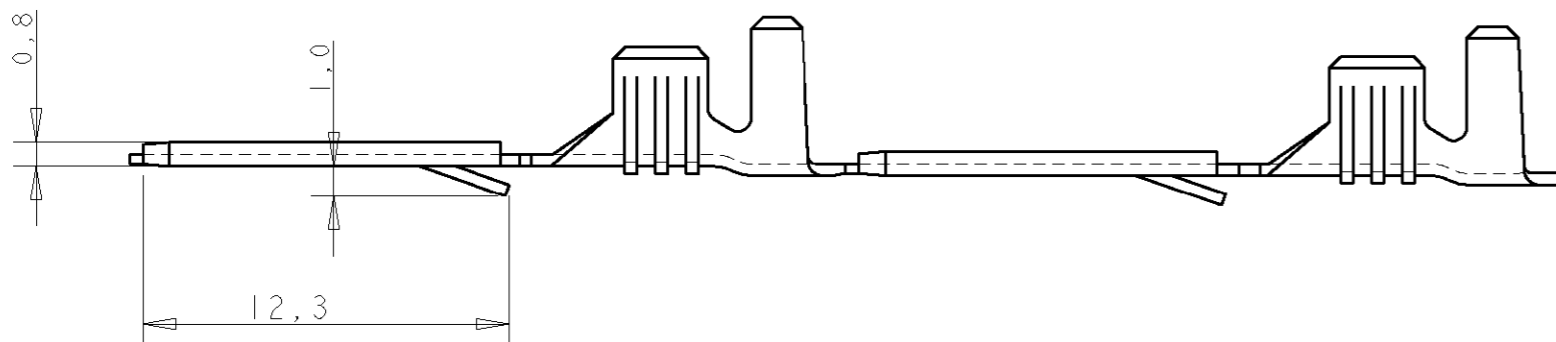
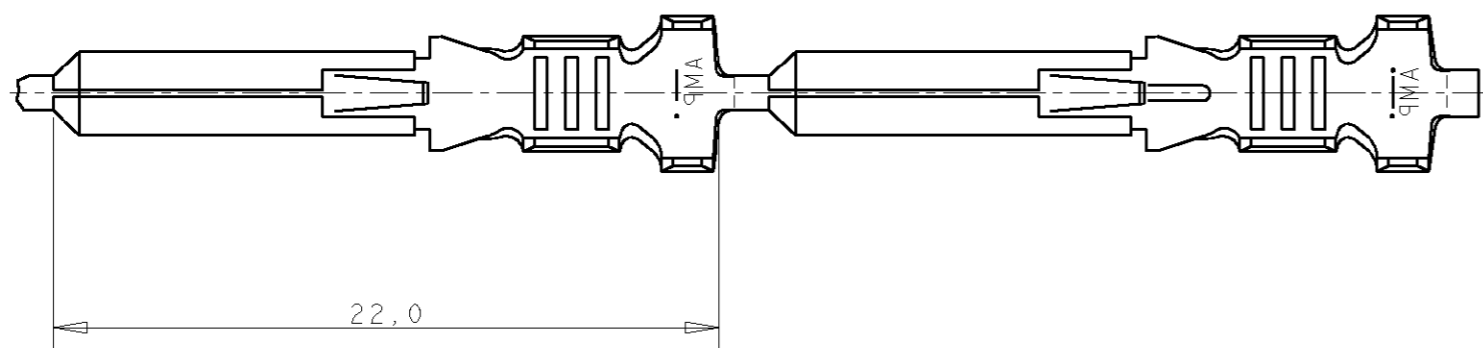
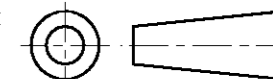


DO NOT SCALE
DIMENSIONS IN INCH

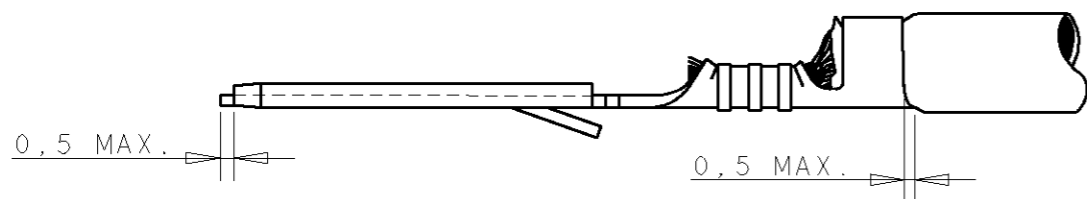
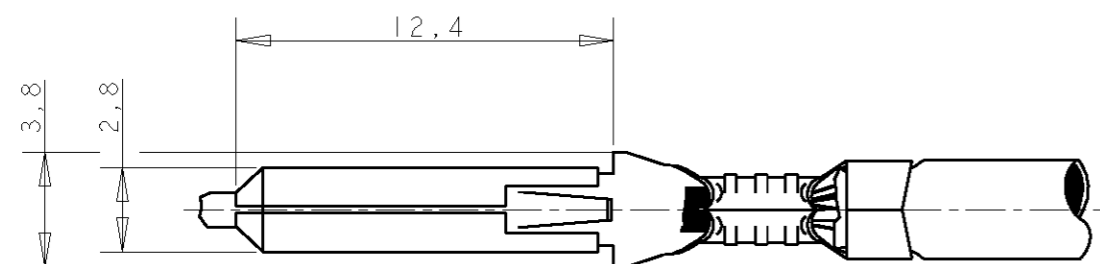
METRIC

THIRD ANGLE
PROJECTION



1 OBSOLETE PARTS: OBSOLETE CIS STREAMLINING PER D.RENAUD/D.SINISI

GENERAL TOLERANCE ±0.3



WIRE RANGE :
0,3-0,56 mm²
INSULATION RANGE :
1,4-2,2 DIA.

	FINISH	MATERIAL	PARTNUMBER
1 OBSOLETE	PRE-TINPLATED	BRASS	160174-7
	TIN	PHOSPH. BRONZE	160174-6
	-	PHOSPH. BRONZE	160174-5
1 OBSOLETE	NICKEL	BRASS	160174-4
1 OBSOLETE	SILVER	BRASS	160174-3
	TIN	BRASS	160174-2
	-	BRASS	160174-1

CUSTOMER DRAWING FOR REFERENCE ONLY WILL NOT BE UPDATED				
© COPYRIGHT 19- BY AMP HOLLAND B.V. ALL INTERNATIONAL RIGHTS RESERVED. AMP PRODUCTS MAY BE COVERED BY U.S. AND FOREIGN AND/OR PATENTS PENDING.				
THIS DRAWING IS UNPUBLISHED RELEASED FOR PUBLICATION ,19				
AMP Tyco Electronics AMP Barcelona, Spain			NAME	
D2 REV PER ECO-10-000444 KK AEG 08JAN10			.110 SRS. FASTIN FASTON TAB	
DI ES00-0009-03 JvL JL 17JAN03			DWG. No. C-160174	
LTR. REVISION RECORD DR. CHK. DATE			RESTR. TO REV. LTR. SHEET	
DR.: J.v.LIEMPT CHK.: A.BIJNEN APP.: -			D2 1 OF 1 A3	
DATE: 03 JAN 97 DATE: - DATE: -				