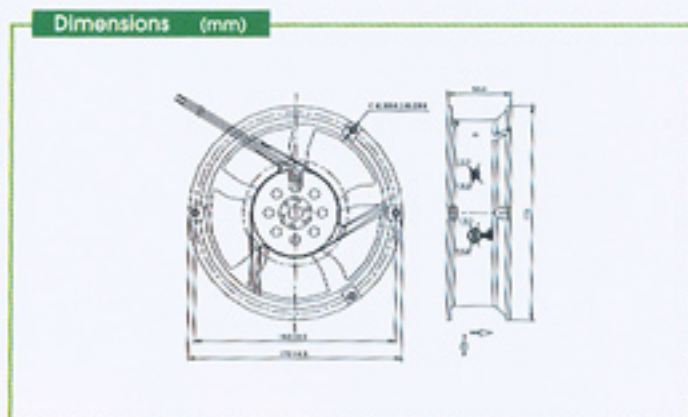


DC Cooling Fan

DC 17251 Round Frame



SIZE :

172x172x51mm (6.77"x6.77"x2")

CONSTRUCTION :

Glass fiber reinforced plastic:

Impeller and housing PBT are UL 94V-0 rating

OPERATING TEMPERATURE :

Ball bearing - 30°C to +75°C

Sleeve bearing - 10°C to +70°C

INSULATION RESISTANCE :

10meg Ohm min. at 500 VDC

(between frame and terminal)

DIELECTRIC STRENGTH :

5mA max. at 500 VAC 60Hz one minute

(between frame and terminal)

FUNCTION :

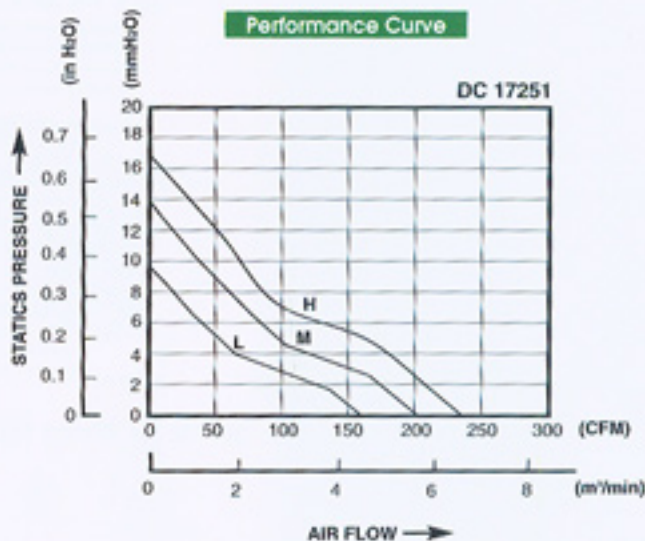
auto-restart

frequency generator or rotation detection signal option

WEIGHT :

730 grams

Performance Curve



Specifications

Specifications are subject to change without notice

MODEL NO.	BEARING	RATED VOLTAGE	OPERATING VOLTAGE RANGE	RATED CURRENT	RATED INPUT POWER	SPEED	MAX. AIR FLOW		MAX. AIR PRESSURE		NOISE
		VDC	V	A	W		R.P.M.	m³/min	CFM	mmH ₂ O	
BP1725124H	Ball	24	12-27.6	0.8	19.2	3400	6.65	235.1	16.9	0.66	59.6
BP1725124M	Ball	24	12-27.6	0.6	14.4	2900	5.69	201.8	13.9	0.54	55.8
BP1725124L	Ball	24	12-27.6	0.45	10.8	2400	5.04	159.7	9.6	0.38	51
BP1725148H	Ball	48	25-60	0.4	19.2	3400	6.65	235.1	16.9	0.66	59.6
BP1725148M	Ball	48	25-60	0.35	16.8	2900	5.69	201.8	13.9	0.54	55.8
BP1725148L	Ball	48	25-60	0.25	12	2400	5.04	159.7	9.6	0.38	51