



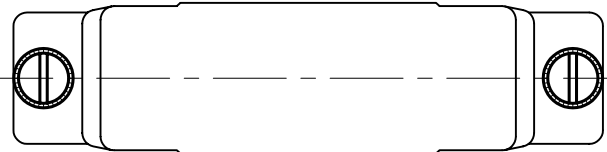
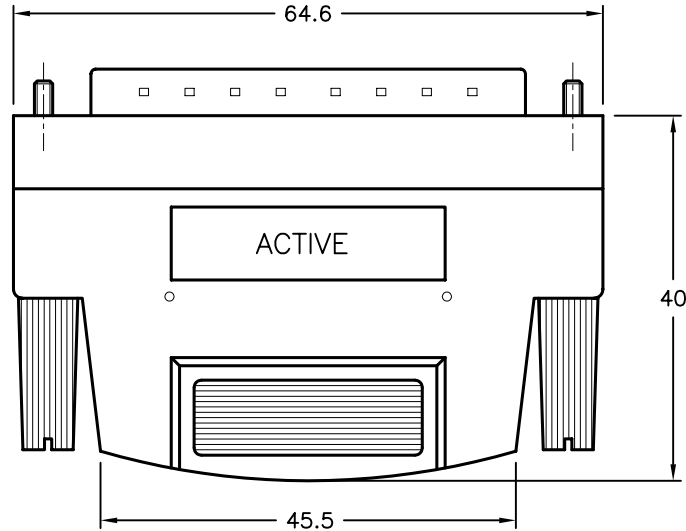
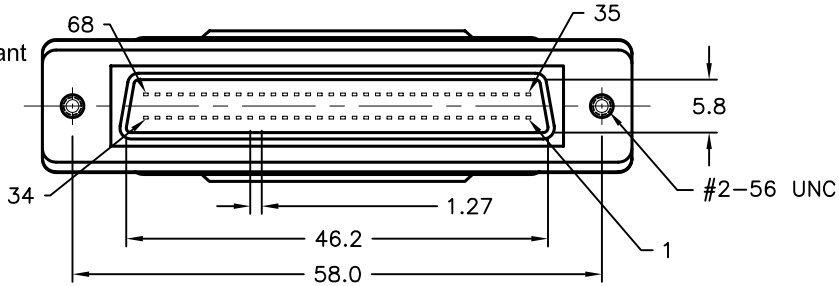
ALL RIGHTS RESERVED. NO PORTION OF THIS PUBLICATION, WHETHER IN WHOLE OR IN PART CAN BE REPRODUCED WITHOUT THE EXPRESS WRITTEN CONSENT OF SPC TECHNOLOGY.

SPC-F005.DWG

REVISIONS

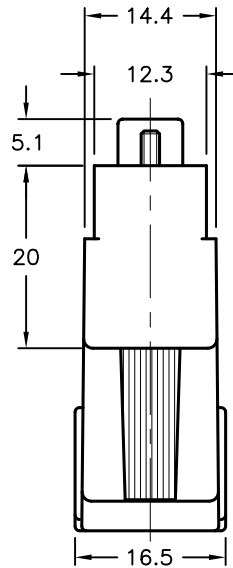
DOC. NO. SPC-F005 * Effective: 7/8/02 * DCP No: 1398

DCP #	REV	DESCRIPTION	DRAWN	DATE	CHECKD	DATE	APPRVD	DATE
1876	A	RELEASED	EO	03/21/06	TL	5/15/06	HO	5/15/06



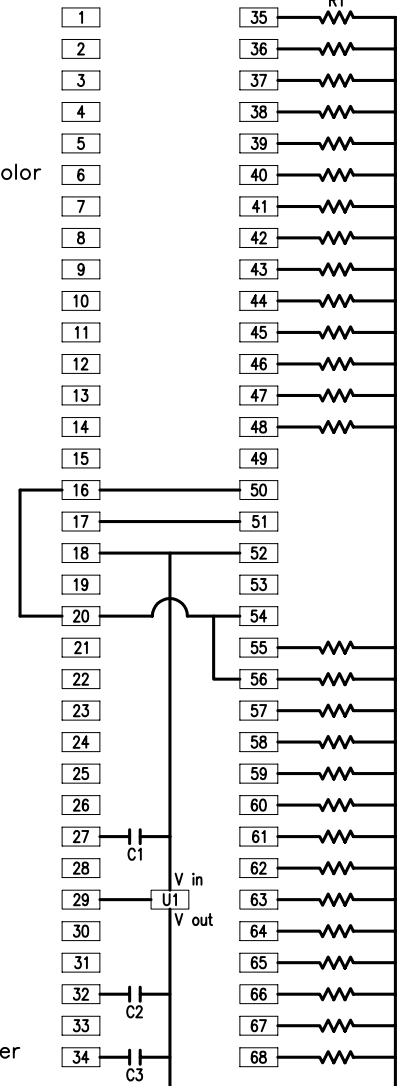
Specification:

- Connector: 1. Half-Pitch DB68 Pin Male
2. Shell: Steel, Nickel-Plated
3. Contact: Brass, Gold-Plated
4. Insulator: PBT Glass Fibre Reinforced UL94V-0, Black Color
- Molded Thumb Screw: Steel, Nickel-Plated
- Overmold: PVC, Beige Color



Notes:

- C1: 4.7gF ±20% tantalum 16V
- C2: 22gF ±20% tantalum 16V
- C3: 0.1gF ±20% Ceramic 16V
- R1: 110 Ω, 0.125 Watt, 27 Plc
- U1: AIC1117
- NC: 19, 53
- Insulation Resistance: 10MΩ Under Working Voltage Of 5V DC



DISCLAIMER:
ALL STATEMENTS AND TECHNICAL INFORMATION CONTAINED HEREIN ARE BASED UPON INFORMATION AND/OR TESTS WE BELIEVE TO BE ACCURATE AND RELIABLE. SINCE THE CONDITIONS OF USE ARE BEYOND OUR CONTROL, THE USER SHALL DETERMINE THE SUITABILITY OF THE PRODUCT FOR THE INTENDED USE AND ASSUME ALL RISK AND LIABILITY WHATSOEVER IN CONNECTION THEREWITH.

TOLERANCES:
Unless Otherwise Specified
.X ±0.2 [0.008]
.XX ±0.12 [0.005]

DRAWN BY: EKLAS ODISH
DATE: 03/21/06
CHECKED BY: THOMAS LEE
DATE: 5/15/06
APPROVED BY: HISHAM ODISH
DATE: 5/15/06

DRAWING TITLE: **SCSI-3 TERMINATOR, 68 PIN MALE**
SIZE: A DWG. NO.: **SPC15266** ELECTRONIC FILE: **79K4863.DWG** REV: **A**
SCALE: NTS U.O.M.: mm [INCHES] SHEET: 1 OF 1