



- **Low surface temperature**
- **Double insulated (plastic housing)**
- **Wide voltage range**
- **Dynamic heating up**
- **Clip fixing**

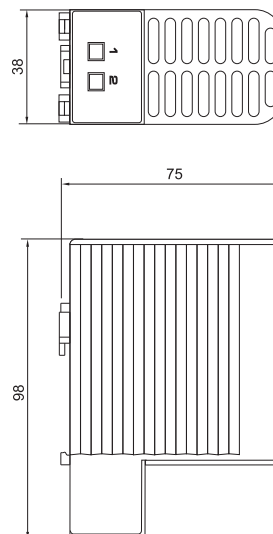
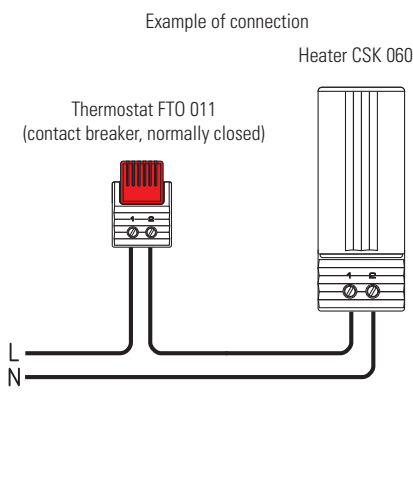
The heaters are used in enclosures where condensation is to be prevented or the temperature may not fall below a minimum value. In this way corrosion is avoided and an even temperature is ensured. The heaters are designed for permanent operation.



Technical Data

Operating voltage	120 - 240V AC/DC* (min. 110V, max. 265V)
Heating element	PTC resistor - temperature limiting
Surface temperature	< 85°C (185°F) (according to VDE 0100), except upper protective grille
Connection	2-pole terminal 2.5mm ² , torque 0.8Nm max.
Casing	plastic according to UL94 V-0, black
Dimensions	98 x 38 x 75mm
Mounting	clip for 35mm DIN rail, EN 60715
Fitting position	vertical airflow (air outlet up, connection on bottom)
Operating / Storage temperature	-45°C to +70°C (-49°F to +158°F)
Operating / Storage humidity	max. 90 % RH (non-condensing)
Protection type / Protection class	IP20 / II (double insulated)
Approvals	VDE + UL File No. E150057 (according to UL 499, intended for the use within an enclosure in accordance with UL 508A)
Note	other voltages on request

*Operating with voltages below 140V AC/DC reduces heating performance by approx. 10%.



Art. No.	Heating capacity*	Inrush current max.	Pre-fuse T (time-delay)	Weight (approx.)
06040.0-00	10W	1.0A	1A	0.2kg
06030.0-00	20W	2.5A	2A	0.3kg

* at 20°C (68°F) ambient temperature