

Small, compact Thermostat STO 011 / STS 011

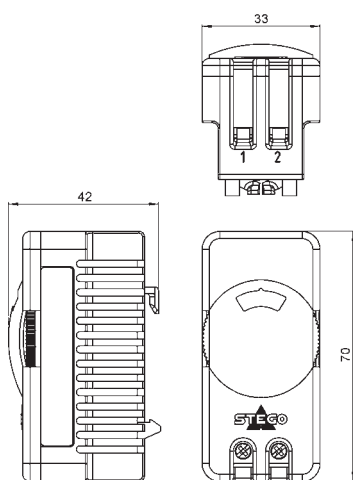


- Thumbwheel setting dial**
- Small hysteresis**
- High switching capacity**
- Anti frost assurance**
- Optimized housing for better air flow**

The mechanical thermostat is a two state regulator with small hysteresis. The setting wheel has an anti frost assurance. The housing ensures an optimized air circulation around the bimetal.

STO 011: Thermostat (normally closed); contact breaker for regulating heaters.

STS 011: Thermostat (normally open); contact maker for regulating of filter fans and heat exchangers or for switching signal devised when temperature limit has been exceeded.



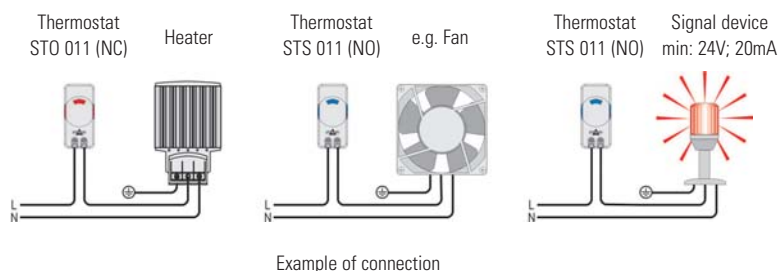
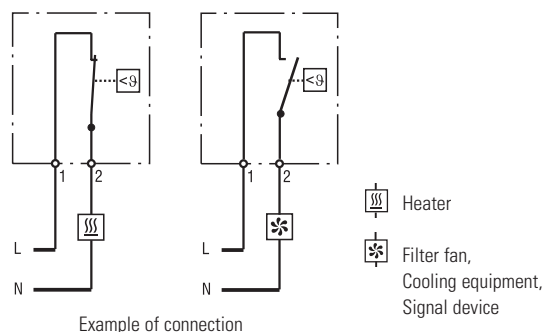
Technical Data

Switch temperature difference	4K (±3K tolerance)
Sensor element	thermostatic bimetal
Contact type	snap-action contact
Service life	> 100,000 cycles
Max. switching capacity	250VAC, 10 (2) A 120VAC, 15 (2) A 30WDC at 24VDC to 72VDC
Max. inrush current	16A for 10 sec.
Connection	2-pole terminal for 2.5mm ² (AWG13), torque 1Nm max.
Mounting	clip for 35mm DIN rail, EN60715
Casing	plastic according to UL94 V-0, light grey
Dimensions	70 x 33 x 42mm
Weight	approx. 50g
Fitting position	variable
Operating / Storage temperature	-45 to +80°C (-49 to +176°F)
Operating / Storage humidity	max. 90% RH (non-condensing)
Protection type	IP20

Anti frost assurance
The anti frost assurance is a symbol on the setting scale of the NC thermostat (STO 011) at 11°C. This setting assures closing of the switching contact before 0°C.



Thermostat STO 011 (NC) Thermostat STS 011 (NO)



Setting range	Art. No. Contact Breaker (NC)	Art. No. Contact Maker (NO)	Approvals
0 to +60°C	01115.0-00	01116.0-00	VDE + UL submitted
+32 to 140°F	01115.9-00	01116.9-00	VDE + UL submitted