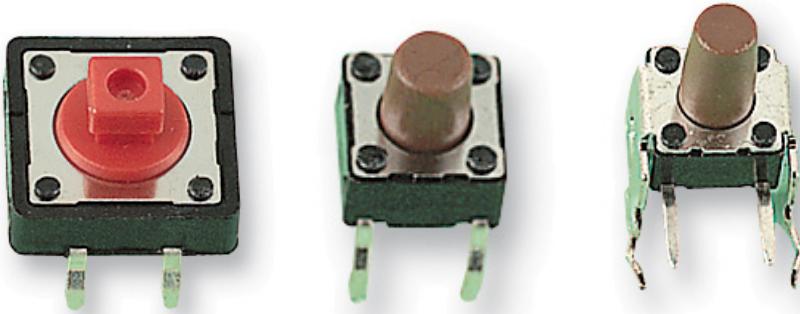


MCDTS6/MCDTS2/KTSC2 Series

Tact Switches - SPNO & Caps



Features:

- Sharp click feel with a positive tactile feedback. Due to small movement distance (stroke), user experiences distinct sensation when the switch “clicks” into place.
- Ultraminiature and light weight structure suitable for high density mounting. Economic with high reliability.
- Insert moulding in the contact has a special treatment which prevents flux build-up during soldering and permits auto-dipping.
- Comprehensive range of SPNO tact switches.
- Select by overall height, body, actuator length, and operating force.

Materials:

Cover	: Stainless steel.
Base	: Nylon thermoplastic. Colour: Black.
Stem	: Nylon thermoplastic. Colour: Black (100gf), Brown (160gf), Red (260gf).
Contact disc	: Phosphor bronze with silver cladding.
Terminal	: Brass with silver cladding.
Cap	: Thermoplastic ABS.

Specifications

Mechanical

Operation force	: 160±50gf Brown (N) 260±50gf Red (R) 100±50gf Black (K) 350g Salone (S)
Stop strength	: Place the switch such that a vertical, static load of 3kgf shall be applied in the direction of the stem operation for a period of 15 seconds.
Stroke	: (12 x 12) 0.35±0.1mm (6 x 6) 0.25 +0.2mm/ -0.1mm
Operating temperature	: -25°C to +70°C.
Storage temperature	: -30°C to +80°C.
Vibration test	: MIL-STD-202F method 201A. Frequency : 10 - 55 -10Hz/1 minute. Directions : X, Y, Z three mutually perpendicular directions. Time : 2 hours each direction. High reliability.



MCDTS6/MCDTS2/KTSC2 Series

Tact Switches - SPNO & Caps



Specifications:

Mechanical

Shock test : MIL-STD-202F method 213B.
Condition A.
Gravity : 50G (peak value), 11msec.
Direction and times : 6 sides and 3 times in each direction.
High reliability.

Specifications

Electrical

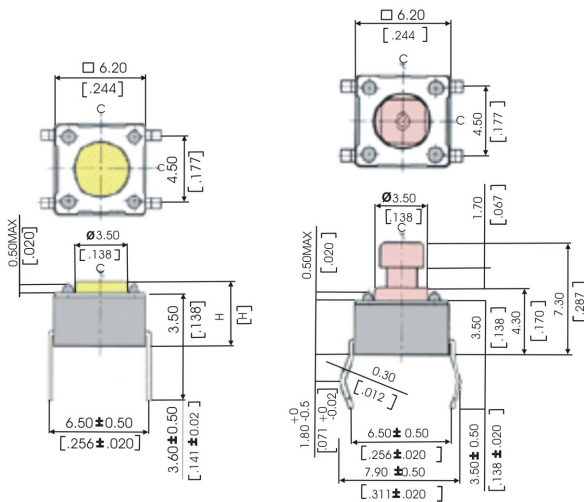
Electrical life : 260gf has 50,000 cycles
100gf, 160gf has 500,000 cycles.
Current rating : 50mA, 12V dc.
Contact resistance : 100mΩ maximum.
Insulation resistance : 10MΩ 500V dc.
Dielectric strength : 250V ac/1minute.
Wave solder : 260°C maximum 5s 1.6mm PCB.
Hand solder : 320°C 2s 30W iron
PCB Hole diameter : 1.0 ±0.05mm.

Soldering Process

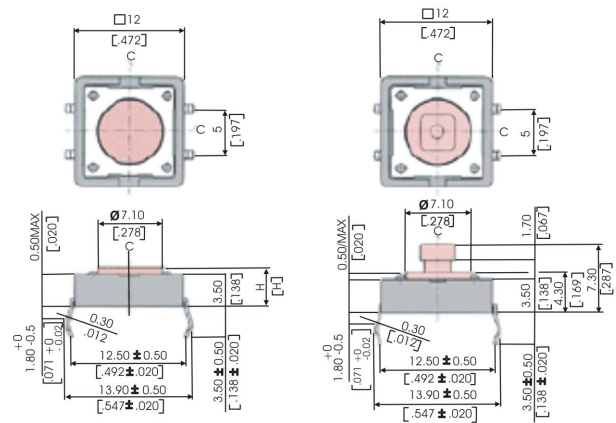
Wave soldering : Recommended solder temperature at 500°F (260°C) maximum 5 seconds subject to PCB thickness of 1.6mm.
Hand soldering : Use a soldering iron of 30 watts, controlled at 608°F (320°C) approximately for 2 seconds while applying solder.

Dimensions:

MCDTS-6



MCDTS-2



Dimensions : Millimetres (Unless Specified)

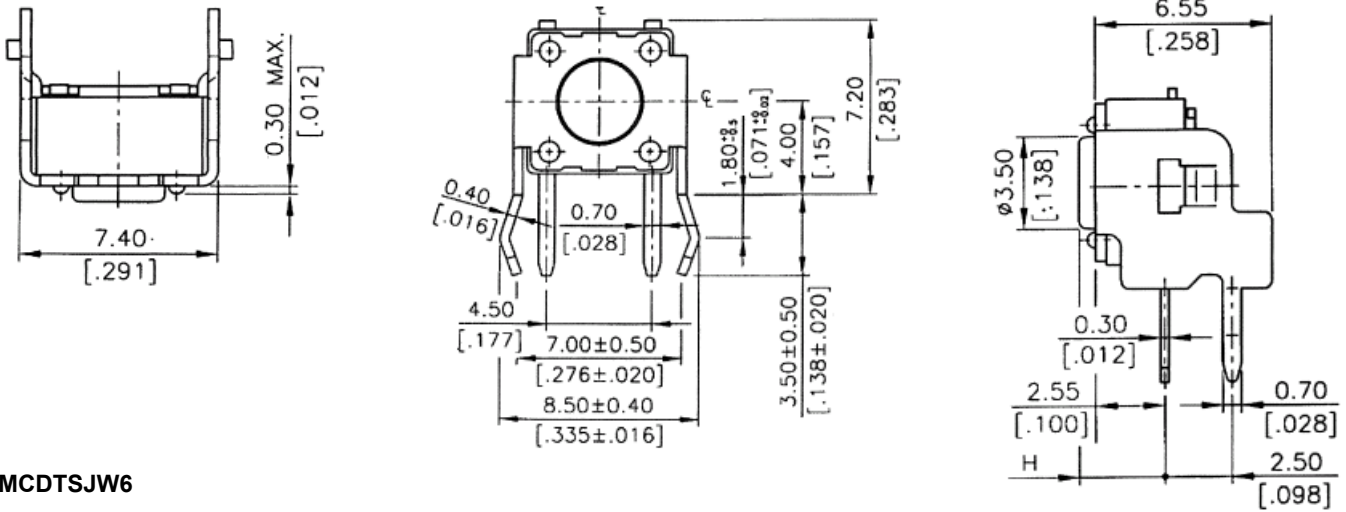


MCDTS6/MCDTS2/KTSC2 Series

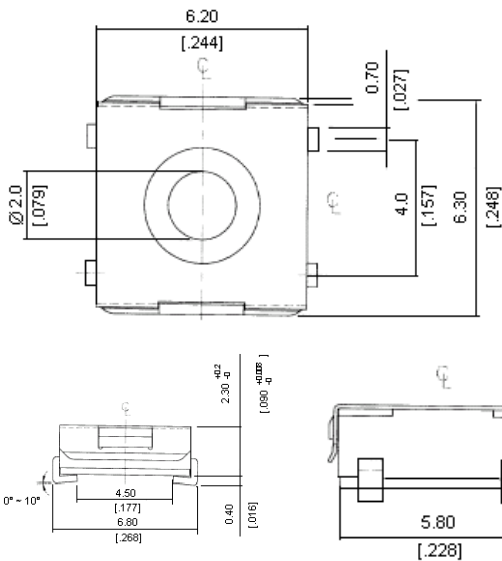
Tact Switches - SPNO & Caps



MCDTSA6



MCDTSJW6



Dimensions : Millimetres (Unless Specified)



MCDTS6/MCDTS2/KTSC2 Series

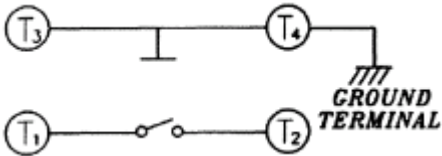
Tact Switches - SPNO & Caps



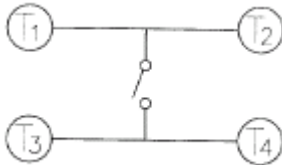
CIRCUIT MCDTS-2 and MCDTS-6



MCDTSA6

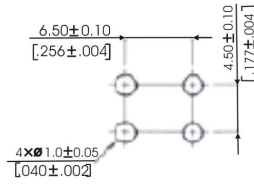


MCDTSJW6

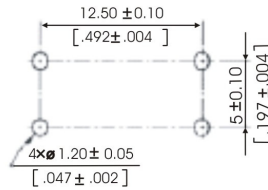


P.C.B. LAYOUT

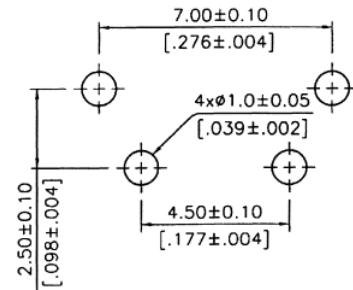
MCDTS-6



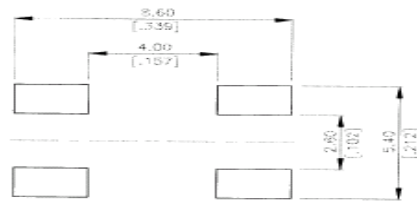
MCDTS-2



MCDTSA6



MCDTSJW6



MCDTS2 Series (12mm x 12mm)

Actuator Style/Operating Force (gf)	PCB Drilling	Part Number
7.3(SQ) x 3.8/160	12.5 x 5.0	MCDTS2-4N
4.3/160		MCDTS2-1N
7.3(SQ) x 3.8/260		MCDTS2-4R
4.3/260		MCDTS2-1R

Dimensions : Millimetres (Unless Specified)

Dimensions : Millimetres (Inches)

Specification Table

Termination Type	Part Number
J Type S.M.T.	MCDTSJW6-6S
	MCDTSJW6-8S



MCDTS6/MCDTS2/KTSC2 Series



Tact Switches - SPNO & Caps

MCDTS6 Series (6mm x 6mm)

Overall Height/Operating Force (gf)	PCB Drilling	Part Number	
4.3/100	6.5 x 4.5	MCDTS6-1K	
4.3/160		MCDTS6-1N	
4.3/260		MCDTS6-1R	
5.0/160		MCDTS6-2N	
5.0/260		MCDTS6-2R	
7.0/100		MCDTS6-3K	
7.0/160		MCDTS6-3N	
7.0/260		MCDTS6-3R	
9.5/100		MCDTS6-5K	
9.5/160		MCDTS6-5N	
9.5/260		MCDTS6-5R	
8.35/100		-	MCDTSA6-5K
8.35/160		-	MCDTSA6-5N
8.35/260	-	MCDTSA6-5R	
3.85/100	-	MCDTSA6-2K	
3.85/160	-	MCDTSA6-2N	
3.85/260	-	MCDTSA6-2R	

Dimensions : Millimetres (Unless Specified)

MCDTSHW6



Features:

- High reliability, long operating life
- MCDTSHW6 Series (6mm x 6mm) Washable - PCB drilling 6.5mm x 4.0mm.

Specifications:

Electrical:

Current rating	: 50mA.
Voltage rating	: 12V dc minimum.
Contact resistance	: 100mΩ maximum.
Insulation resistance	: 10MΩ 500V dc.
Dielectric strength	: 250V ac/1 minute.
Stop strength	: 3kgf 15 Seconds.
Wave solder	: 260°C maximum 5s 1.6mm PCB.
Electrical life	: 100,000 operations minimum.
Hand solder	: 320°C 2S 30W iron.
PCB hole diameter	: 1.0 ±0.05mm.
Operating temperature	: -25°C to +70°C.

Specification Table

Overall Height/Operating Force (gf)	Part Number
3.8/160	MCDTSHW6-9N

Dimensions : Millimetres (Unless Specified)



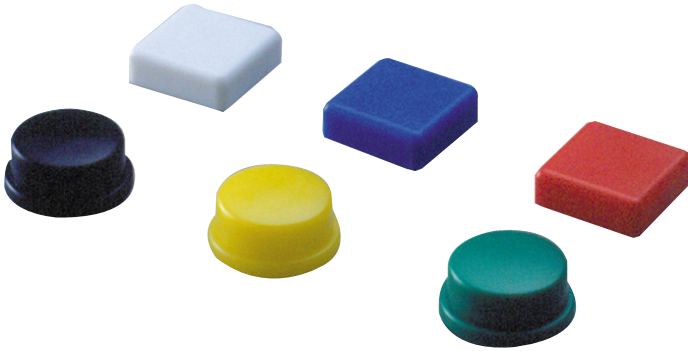
MCDTS6/MCDTS2/KTSC2 Series

Tact Switches - SPNO & Caps



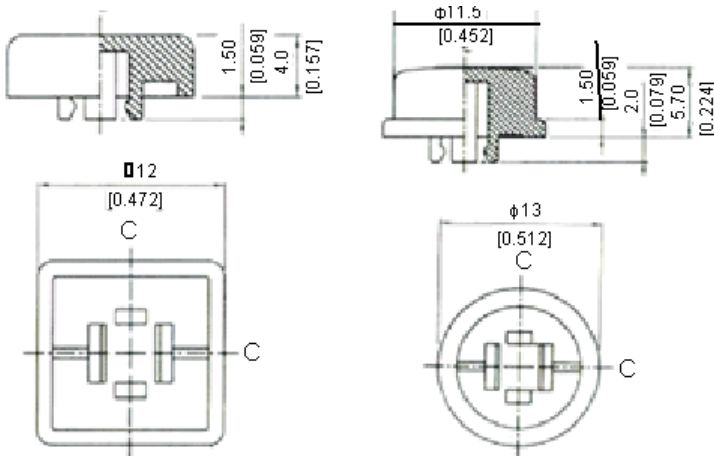
Features:

- Round and square caps for use with 12 x 12 MCDTS2 tact switches.



Dimensions:

KTSC-2



General Tolerance : $\pm 0.2\text{mm}$ ($\pm 0.008''$)

Specification Table

Caps	Colour	Part Number
Square	Salmon	KTSC-21S
Square	Green	KTSC-21G
Square	Yellow	KTSC-21Y
Square	Blue	KTSC-21B
Square	Red	KTSC-21R
Square	Ivory	KTSC-21I
Square	Black	KTSC-21K
Round	Salmon	KTSC-22S
Round	Green	KTSC-22G
Round	Yellow	KTSC-22Y
Round	Blue	KTSC-22B
Round	Red	KTSC-22R
Round	Ivory	KTSC-22I
Round	Black	KTSC-22K

Order multiple = 5



MCDTS6/MCDTS2/KTSC2 Series

Tact Switches - SPNO & Caps



Notes:

International Sales Offices:



AUSTRALIA - Farnell InOne
Tel No: ++ 61 2 9645 8888
Fax No: ++ 61 2 9644 7898



FINLAND - Farnell InOne
Tel No: ++ 358 9 560 7780
Fax No: ++ 358 9 345 5411



NETHERLANDS - Farnell InOne
Tel No: ++ 31 30 241 7373
Fax No: ++ 31 30 241 7333



SWITZERLAND - Farnell InOne
Tel No: ++ 41 1 204 64 64
Fax No: ++ 41 1 204 64 54



AUSTRIA - Farnell InOne
Tel No: ++ 43 662 2180 680
Fax No: ++ 43 662 2180 670



FRANCE - Farnell InOne
Tel No: ++ 33 474 68 99 99
Fax No: ++ 33 474 68 99 90



NEW ZEALAND - Farnell InOne
Tel No: ++ 64 9 357 0646
Fax No: ++ 64 9 357 0656



UK - Farnell InOne
Tel No: ++ 44 8701 200 200
Fax No: ++ 44 8701 200 201



BELGIUM - Farnell InOne
Tel No: ++ 32 3 475 2810
Fax No: ++ 32 3 227 3648



GERMANY - Farnell InOne
Tel No: ++ 49 89 61 39 39 39
Fax No: ++ 49 89 613 59 01



NORWAY - Farnell InOne
Tel No: ++ 45 44 53 66 66
Fax No: ++ 45 44 53 66 02



UK - BuckHickman InOne
++ 44 8450 510 150
++ 44 8450 510 130



BRAZIL - Farnell-Newark InOne
Tel No: ++ 55 11 4066 9400
Fax No: ++ 55 11 4066 9410



HONG KONG - Farnell-Newark InOne
Tel No: ++ 852 2268 9888
Fax No: ++ 852 2268 9899



PORTUGAL - Farnell InOne
Tel No: ++ 34 93 475 8804
Fax No: ++ 34 93 474 5288



UK - CPC
++ 44 8701 202 530
++ 44 8701 202 531



CHINA - Farnell-Newark InOne
Tel No: ++86 10 6238 5152
Fax No: ++86 10 6238 5022



IRELAND - Farnell InOne
Tel No: ++ 353 1 830 9277
Fax No: ++ 353 1 830 9016



SINGAPORE - Farnell-Newark InOne
Tel No: ++ 65 6788 0200
Fax No: ++ 65 6788 0300



EXPORT - Farnell InOne
Tel No: ++ 44 8701 200 208
Fax No: ++ 44 8701 200 209

For enquiries from all other markets



DENMARK - Farnell InOne
Tel No: ++ 45 44 53 66 44
Fax No: ++ 45 44 53 66 06



ITALY - Farnell InOne
Tel No: ++ 39 02 93 995 200
Fax No: ++ 39 02 93 995 300



SPAIN - Farnell InOne
Tel No: ++ 34 93 475 8805
Fax No: ++ 34 93 474 5107



ESTONIA - Farnell InOne
Tel No: ++ 358 9 560 7780
Fax No: ++ 358 9 345 5411



MALAYSIA - Farnell-Newark InOne
Tel No: ++ 60 3 7873 8000
Fax No: ++ 60 3 7873 7000



SWEDEN - Farnell InOne
Tel No: ++ 46 8 730 50 00
Fax No: ++ 46 8 83 52 62

<http://www.farnellinone.com>

<http://www.buckhickmaninone.com>

<http://www.cpc.co.uk>

Disclaimer This data sheet and its contents (the "Information") belong to the Premier Farnell Group (the "Group") or are licensed to it. No licence is granted for the use of it other than for information purposes in connection with the products to which it relates. No licence of any intellectual property rights is granted. The Information is subject to change without notice and replaces all data sheets previously supplied. The Information supplied is believed to be accurate but the Group assumes no responsibility for its accuracy or completeness, any error in or omission from it or for any use made of it. Users of this data sheet should check for themselves the Information and the suitability of the products for their purpose and not make any assumptions based on information included or omitted. Liability for loss or damage resulting from any reliance on the Information or use of it (including liability resulting from negligence or where the Group was aware of the possibility of such loss or damage arising) is excluded. This will not operate to limit or restrict the Group's liability for death or personal injury resulting from its negligence. Multicomp is the registered trademark of the Group. © Premier Farnell plc 2004.

