

Winchester Electronics Presents...

Crimp Tools

Machine Crimp Tool



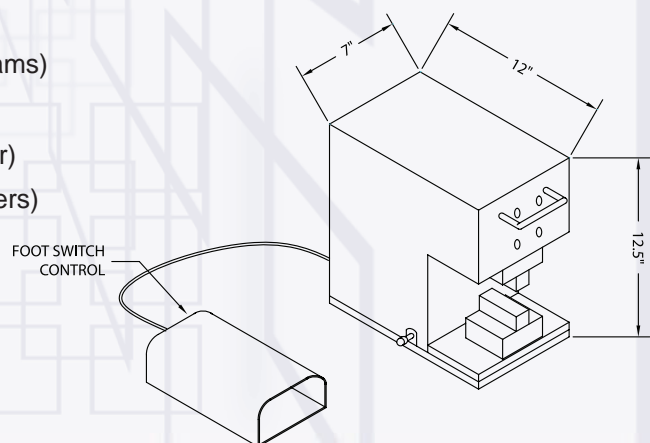
**Pneumatic Crimping Machine
KTM-5000**

Product Benefits

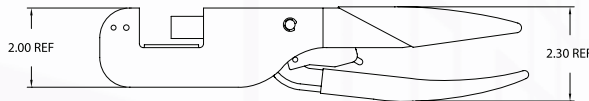
- Portable, bench-mounted with no permanent airline attached.
- Designed for use with KINGS® KTH-1000 and KTH-2000 die sets.
- Ideal for long or short production runs.
- Convenient foot control frees operator hands for crimping.
- Quick and easy changing from one die to another.
- Pneumatic interlock feature guarantees constant crimping.
- Designed with OSHA safety requirements in mind.
- Low maintenance.

Specifications

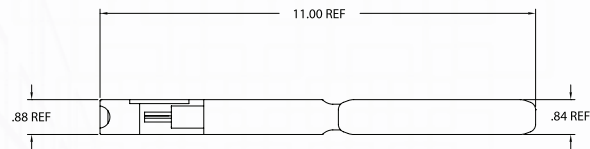
<i>Dimensions (LxWxH)</i>	12" x 7.0" x 12.5" (305 x 178 x 318 mm)
<i>Weight</i>	38 pounds (17.3 kilograms)
<i>Air Pressure</i>	90 psi (6 bar)
<i>Required Air Supply</i>	85-110 psi (5.6 - 7.3 bar)
<i>Air Consumption</i>	0.085 cubic feet (2.4 liters)
<i>Maximum Stroke</i>	0.78" (20 mm)
<i>Safety Shield</i>	Yes
<i>Cycle Speed</i>	54 cycles per minute
<i>Crimp Action</i>	Straight
<i>Maximum Recommended Termination Size</i>	88 mm O.D.



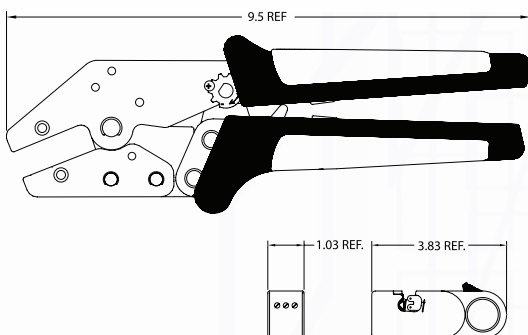
KTH-1000 Hand Crimp Tool



- ### KTH-1000
- Interchangeable Dies, utilize KTH-2000 Series die sets.
 - Die Sets not included but are purchased separately.
 - Ratchet type tool.
 - Does not release until crimp is complete.
 - Frame made of heavy duty lightweight aluminum.
 - Ratchet release feature tool type.



KTH-5000 Hand Crimp Tool with KTS-8 Stripper



- ### KTH-5000
- KTH-5000 Crimp Handle uses the KTH-5000 Series die sets.
 - Economical and user-friendly alternative to other industrial crimping tools.
 - Lightweight, ergonomic tool allows for one-handed operation.
 - Ultra-smooth ratchet design with rubber grip handles.
 - Available dies developed specifically for precise crimping of KING'S® connectors.

KTS-8 Stripper

- Hand-held tool is lightweight and compact—ideal for field use.
- Blade cassettes and memory blocks interchange quickly and easily.
- Cam adjustment ensures precise hold on cable without distorting the jacket.

Connecting Innovation to Application®