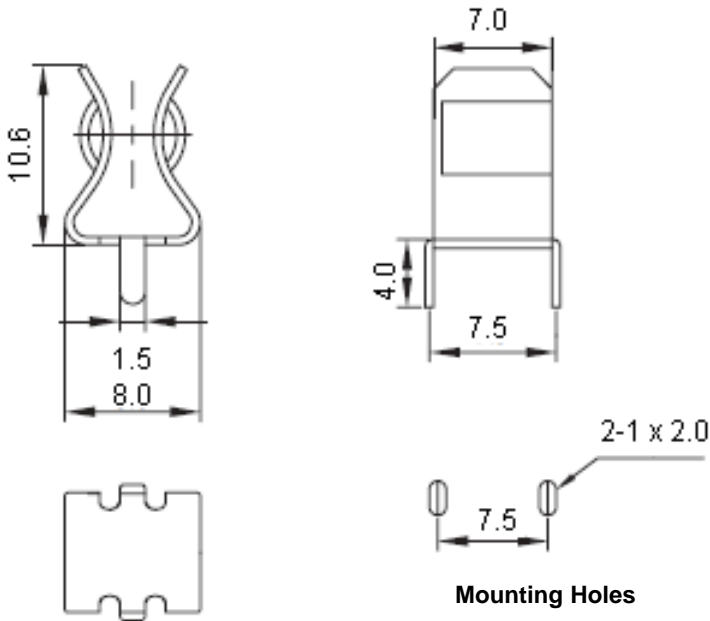


# PCB Mount Fuse Clip



For 1/4 Inches/ 6.3mm Fuses



Dimensions : Millimetres

## Specifications:

Metal Material : Spring brass.  
Material thickness : 0.5mm.  
Suitable rated current : 15A.  
Plating material : Bright tin plated.  
Clip type : Ear type.

## Part Number Table

Description	Part Number
Fuse Clip	MCCQ-205S