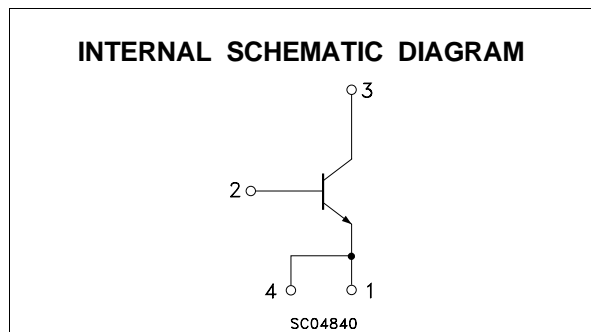
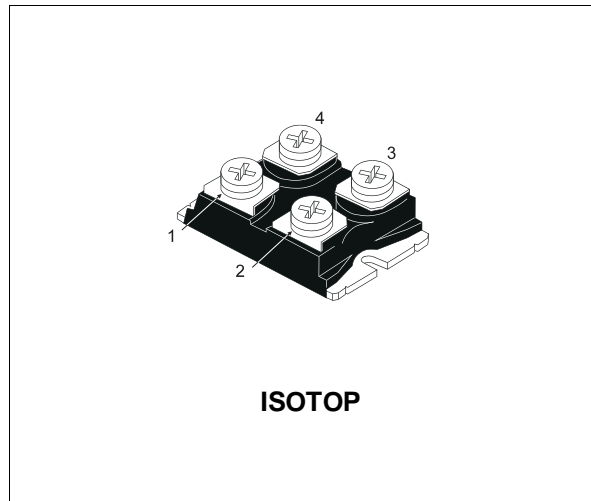


NPN TRANSISTOR POWER MODULE

- HIGH CURRENT POWER BIPOLAR MODULE
- VERY LOW R_{th} JUNCTION CASE
- SPECIFIED ACCIDENTAL OVERLOAD AREAS
- FULLY INSULATED PACKAGE (U.L. COMPLIANT) FOR EASY MOUNTING
- LOW INTERNAL PARASITIC INDUCTANCE

INDUSTRIAL APPLICATIONS:

- MOTOR CONTROL
- SMPS & UPS
- DC/DC & DC/AC CONVERTERS



ABSOLUTE MAXIMUM RATINGS

Symbol	Parameter	Value	Unit
V_{CEV}	Collector-Emitter Voltage ($V_{BE} = -5$ V)	400	V
$V_{CEO(sus)}$	Collector-Emitter Voltage ($I_B = 0$)	300	V
V_{EBO}	Emitter-Base Voltage ($I_C = 0$)	7	V
I_C	Collector Current	140	A
I_{CM}	Collector Peak Current ($t_p = 10$ ms)	210	A
I_B	Base Current	28	A
I_{BM}	Base Peak Current ($t_p = 10$ ms)	42	A
P_{tot}	Total Dissipation at $T_c = 25$ °C	300	W
V_{isol}	Insulation Withstand Voltage (RMS) from All Four Terminals to External Heatsink	2500	
T_{stg}	Storage Temperature	-55 to 150	°C
T_j	Max. Operating Junction Temperature	150	°C

BUT232V

THERMAL DATA

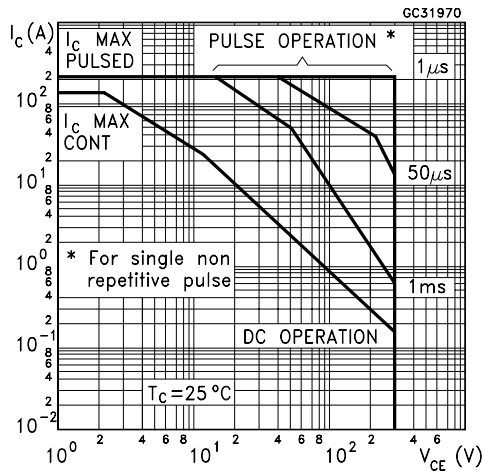
$R_{thj-case}$	Thermal Resistance Junction-case	Max	0.41	$^{\circ}\text{C}/\text{W}$
R_{thc-h}	Thermal Resistance Case-heatsink With Conductive Grease Applied	Max	0.05	$^{\circ}\text{C}/\text{W}$

ELECTRICAL CHARACTERISTICS ($T_{case} = 25^{\circ}\text{C}$ unless otherwise specified)

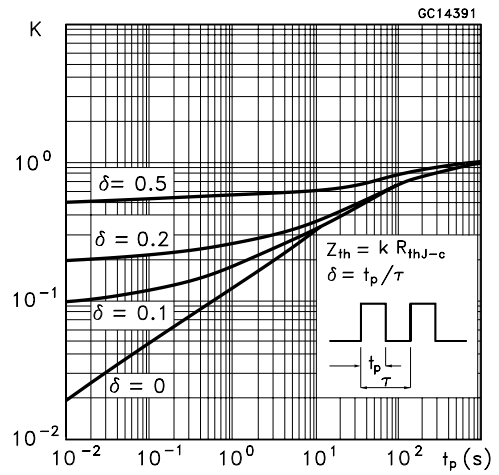
Symbol	Parameter	Test Conditions	Min.	Typ.	Max.	Unit
I_{CER}	Collector Cut-off Current ($R_{BE} = 5 \Omega$)	$V_{CE} = V_{CEV}$ $V_{CE} = V_{CEV} \quad T_c = 100^{\circ}\text{C}$			1 5	mA mA
I_{CEV}	Collector Cut-off Current ($V_{BE} = -1.5$)	$V_{CE} = V_{CEV}$ $V_{CE} = V_{CEV} \quad T_c = 100^{\circ}\text{C}$			1 4	mA mA
I_{EBO}	Emitter Cut-off Current ($I_C = 0$)	$V_{EB} = 5 \text{ V}$			1	mA
$V_{CEO(sus)}^*$	Collector-Emitter Sustaining Voltage ($I_B = 0$)	$I_C = 0.2 \text{ A} \quad L = 25 \text{ mH}$ $V_{clamp} = 300$	300			V
h_{FE}^*	DC Current Gain	$I_C = 70 \text{ A} \quad V_{CE} = 5 \text{ V}$		17		
$V_{CE(sat)}^*$	Collector-Emitter Saturation Voltage	$I_C = 35 \text{ A} \quad I_B = 1.75 \text{ A}$ $I_C = 35 \text{ A} \quad I_B = 1.75 \text{ A} \quad T_c = 100^{\circ}\text{C}$ $I_C = 70 \text{ A} \quad I_B = 7 \text{ A}$ $I_C = 70 \text{ A} \quad I_B = 7 \text{ A} \quad T_c = 100^{\circ}\text{C}$		0.5 0.7 0.5 0.9	1.9 1.9	V V V V
$V_{BE(sat)}^*$	Base-Emitter Saturation Voltage	$I_C = 70 \text{ A} \quad I_B = 7 \text{ A}$ $I_C = 70 \text{ A} \quad I_B = 7 \text{ A} \quad T_c = 100^{\circ}\text{C}$		1.1 1	1.3	V V
di_C/dt	Rate of Rise of On-state Collector	$V_{CC} = 300 \text{ V} \quad R_C = 0 \quad t_p = 3 \mu\text{s}$ $I_{B1} = 10 \text{ A} \quad T_c = 100^{\circ}\text{C}$	120	190		A/ μs
$V_{CE(3 \mu\text{s})}$	Collector-Emitter Dynamic Voltage	$V_{CC} = 200 \text{ V} \quad R_C = 3.25 \Omega$ $I_{B1} = 6.4 \text{ A} \quad T_c = 100^{\circ}\text{C}$		2.5	4	V
$V_{CE(5 \mu\text{s})}$	Collector-Emitter Dynamic Voltage	$V_{CC} = 200 \text{ V} \quad R_C = 3.25 \Omega$ $I_{B1} = 6.4 \text{ A} \quad T_c = 100^{\circ}\text{C}$		1.4	2.5	V
t_s	Storage Time	$I_C = 70 \text{ A} \quad V_{CC} = 250 \text{ V}$		3	5	μs
t_f	Fall Time	$V_{BB} = -5 \text{ V} \quad R_{BB} = 0.6 \Omega$		0.25	0.4	μs
t_c	Cross-over Time	$V_{clamp} = 300 \text{ V} \quad I_{B1} = 7 \text{ A}$ $L = 0.3 \text{ mH} \quad T_c = 100^{\circ}\text{C}$		0.6	0.9	μs
V_{CEW}	Maximum Collector Emitter Voltage Without Snubber	$I_{C\text{Woff}} = 105 \text{ A} \quad I_{B1} = 7 \text{ A}$ $V_{BB} = -5 \text{ V} \quad V_{CC} = 50 \text{ V}$ $L = 42 \mu\text{H} \quad R_{BB} = 0.6 \Omega$ $T_c = 125^{\circ}\text{C}$	300			V

* Pulsed: Pulse duration = 300 μs , duty cycle 1.5 %

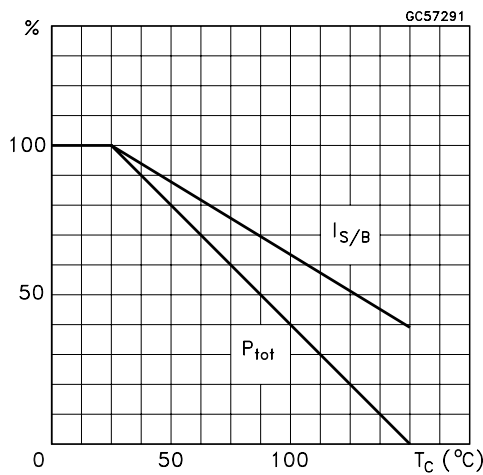
Safe Operating Area



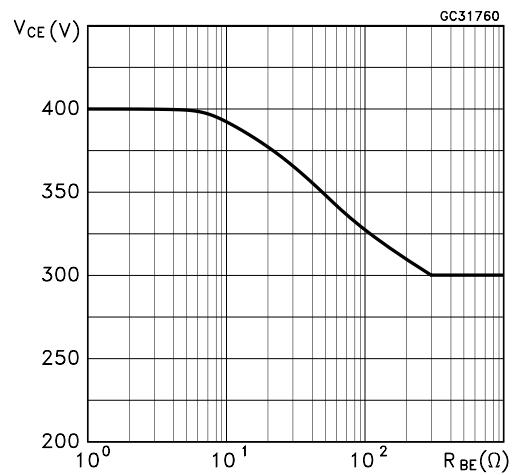
Thermal Impedance



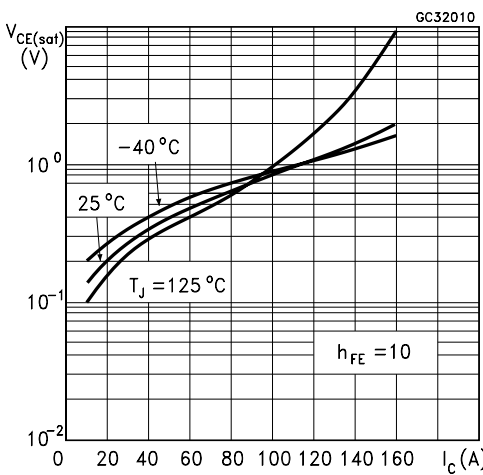
Derating Curve



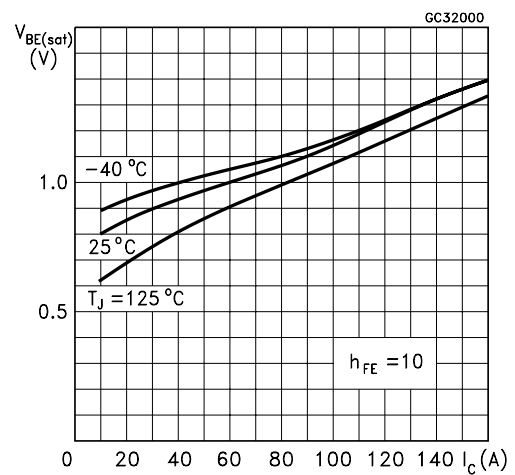
Collector Emitter Voltage Versus Base Emitter Resistance



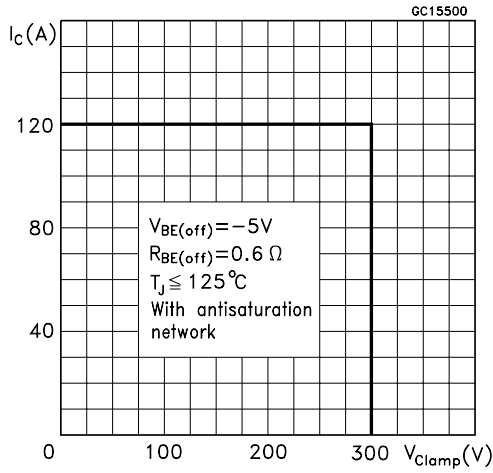
Collector Emitter Saturation Voltage



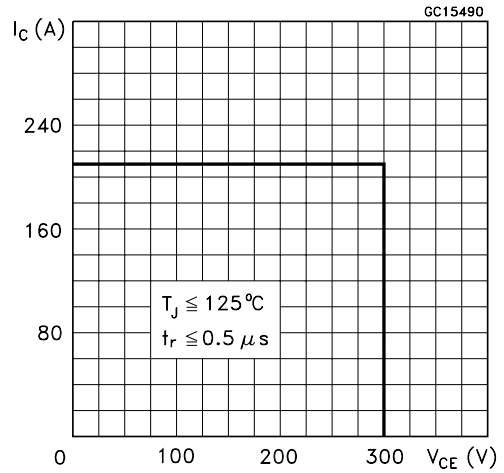
Base-Emitter Saturation Voltage



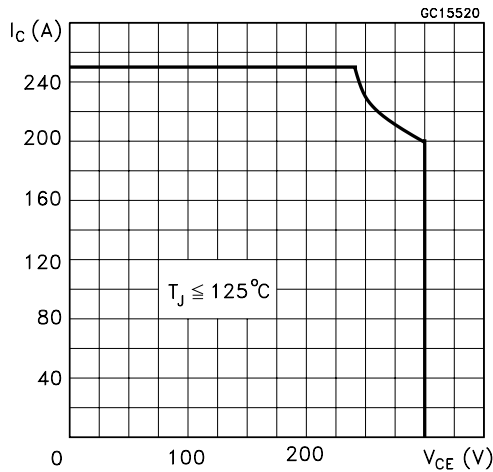
Reverse Biased SOA



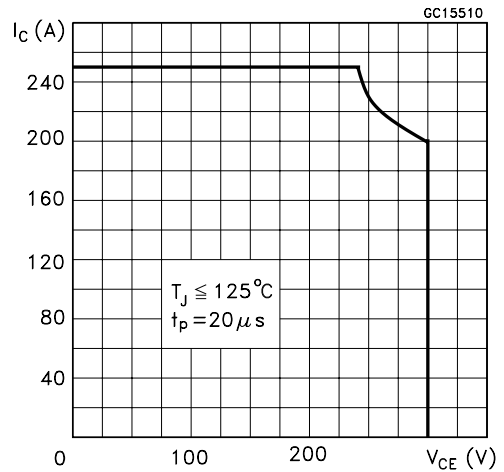
Forward Biased SOA



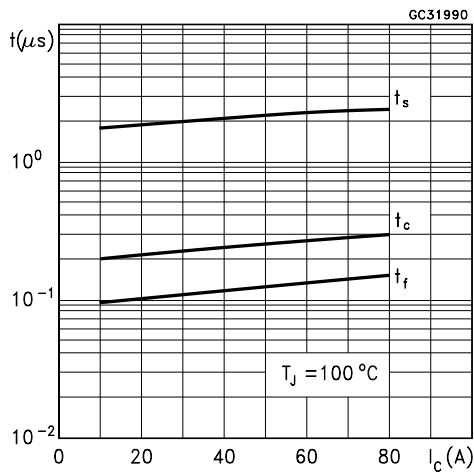
Reverse Biased AOA



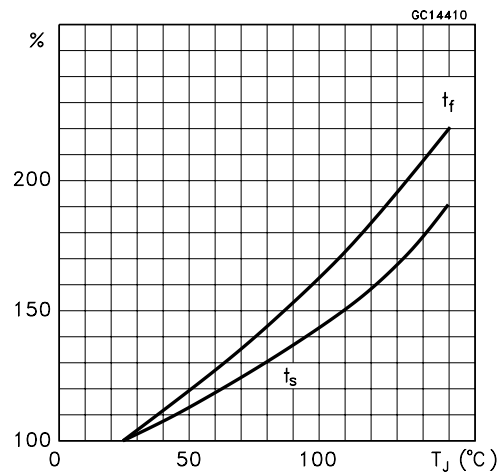
Forward Biased AOA



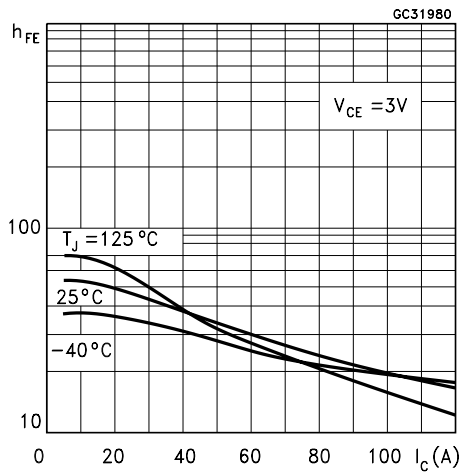
Switching Times Inductive Load



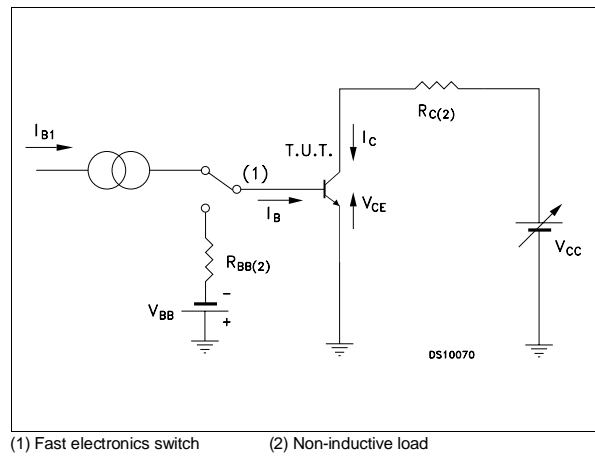
Switching Times Inductive Load Versus Temperature



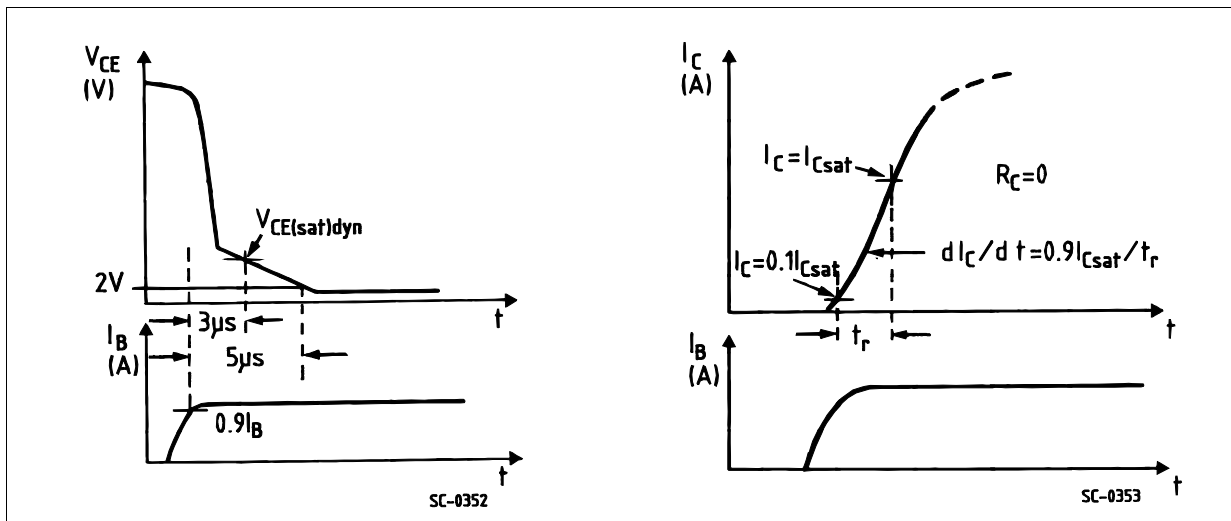
Dc Current Gain



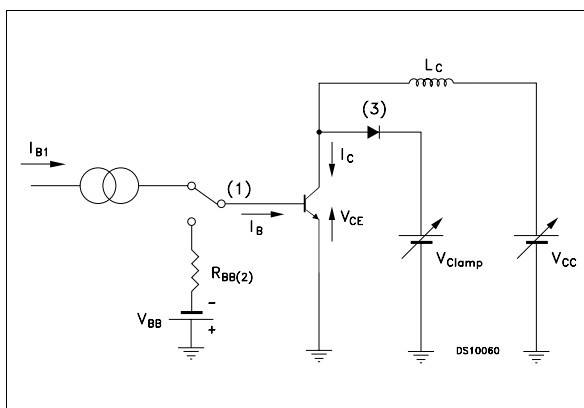
Turn-on Switching Test Circuit



Turn-on Switching Waveforms

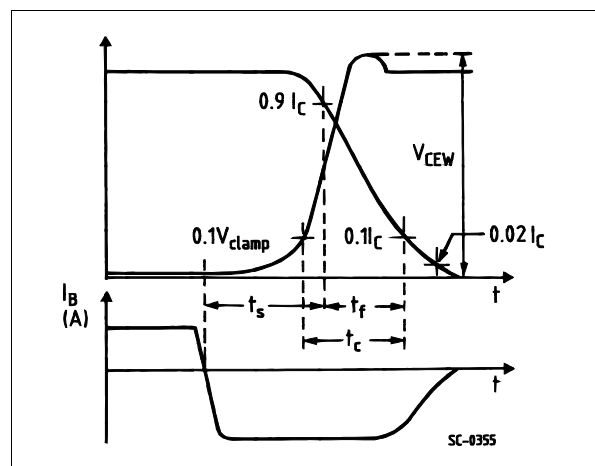


Turn-off Switching Test Circuit



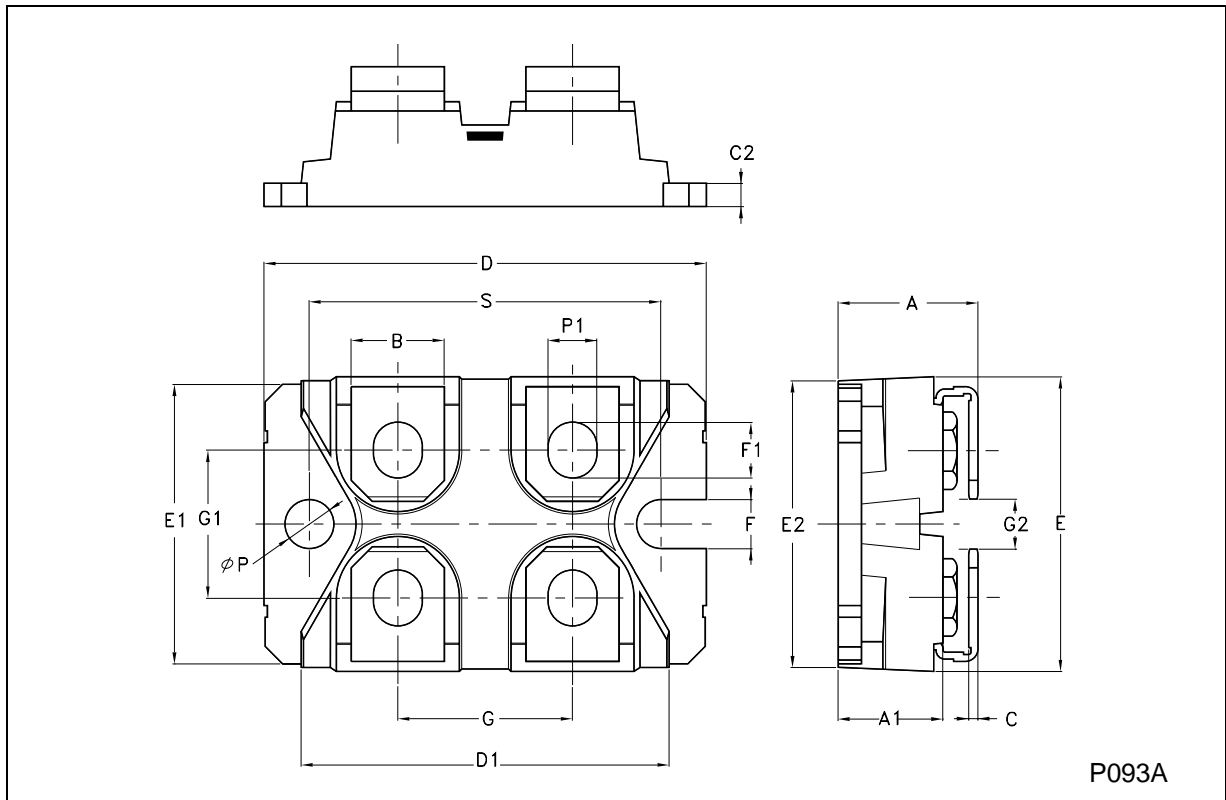
(1) Fast electronic switch (2) Non-inductive load (3) Fast recovery rectifier

Turn-off Switching Waveforms



ISOTOP MECHANICAL DATA

DIM.	mm			inch		
	MIN.	TYP.	MAX.	MIN.	TYP.	MAX.
A	11.8		12.2	0.465		0.480
A1	8.9		9.1	0.350		0.358
B	7.8		8.2	0.307		0.322
C	0.75		0.85	0.029		0.033
C2	1.95		2.05	0.076		0.080
D	37.8		38.2	1.488		1.503
D1	31.5		31.7	1.240		1.248
E	25.15		25.5	0.990		1.003
E1	23.85		24.15	0.938		0.950
E2		24.8			0.976	
G	14.9		15.1	0.586		0.594
G1	12.6		12.8	0.496		0.503
G2	3.5		4.3	0.137		1.169
F	4.1		4.3	0.161		0.169
F1	4.6		5	0.181		0.196
P	4		4.3	0.157		0.169
P1	4		4.4	0.157		0.173
S	30.1		30.3	1.185		1.193



Information furnished is believed to be accurate and reliable. However, STMicroelectronics assumes no responsibility for the consequences of use of such information nor for any infringement of patents or other rights of third parties which may result from its use. No license is granted by implication or otherwise under any patent or patent rights of STMicroelectronics. Specification mentioned in this publication are subject to change without notice. This publication supersedes and replaces all information previously supplied. STMicroelectronics products are not authorized for use as critical components in life support devices or systems without express written approval of STMicroelectronics.

The ST logo is a trademark of STMicroelectronics

© 2003 STMicroelectronics – Printed in Italy – All Rights Reserved

STMicroelectronics GROUP OF COMPANIES

Australia - Brazil - Canada - China - Finland - France - Germany - Hong Kong - India - Israel - Italy - Japan - Malaysia - Malta - Morocco - Singapore - Spain - Sweden - Switzerland - United Kingdom - United States.

<http://www.st.com>