

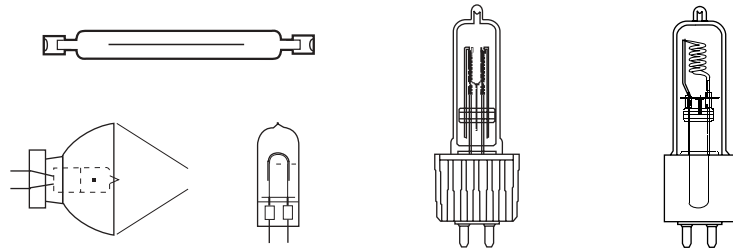
# OSRAM BRAND PHOTO-OPTIC LIGHT SOURCES

Lighting to provide solutions in diverse applications such as effect lighting, stage, studio, TV, projection systems, microlithography, medical/scientific, industrial, and airfield/aircraft.

## Photo-Optic Lamp Types

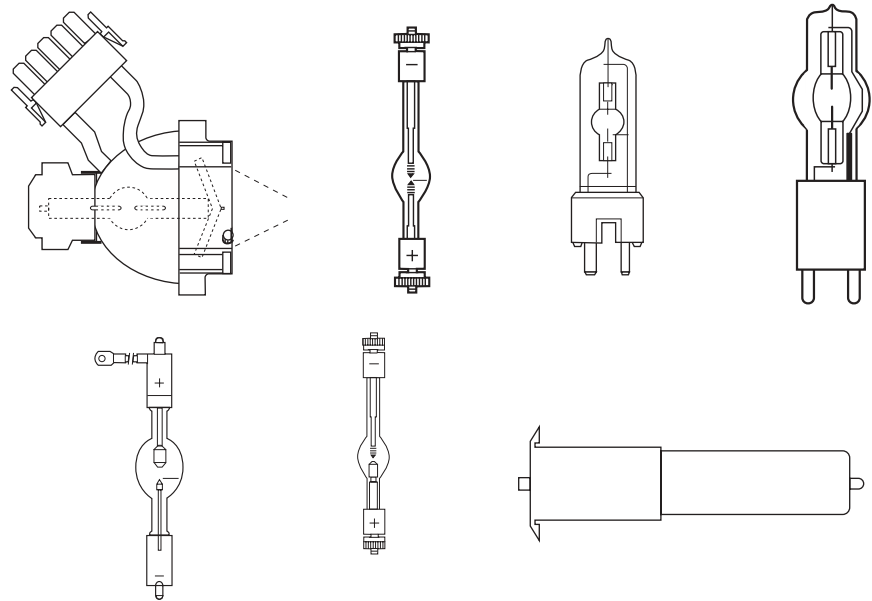
### HALOGEN

Airfield/Aircraft  
Audio Visual  
Special Purpose Heat Lamps  
Studio, Theatre, TV & Video  
HPL  
HPR™  
OSRAM STUDIOLINE®



### DISCHARGE

HBO®  
HMD®  
HMI®  
HMP®  
HSD®  
HSR®  
HTI®  
LINEX®  
VIP®  
XBO®  
XERADEX®



The following item was accepted into the 2003 IESNA Progress Report which recognizes innovative products introduced to the industry during that year.

LINEX Mercury-Free Xenon Fluorescent Systems

### IMPORTANT! PHOTO-OPTIC WARNINGS

In accordance with ANSI/IESNA Standard RP-27, all Photo-Optic Discharge lamps are Risk Group 3 products, and all Photo-Optic Incandescent and Tungsten Halogen lamps are Risk Group 2 products.

Please read and understand the Safety and Warning Instructions for each lamp type before use. Safety and Warning Instructions can be found at the end of this Photo-Optic section.

## AUDIOVISUAL

| ANSI Code     | Product Number | Ordering Abbreviation | Application                              | Watts | Volts | Base       | Lumens | Avg Rated Life(hrs) | Bulb  | Pkg Qty | Footnotes |
|---------------|----------------|-----------------------|--|-------|-------|------------|--------|---------------------|-------|---------|-----------|
| BAA           | 54924          | BAA                   | Projector                                | 75    | 28    | GX5.3      |        | 2000                | MR16  | 24      |           |
| BBA           | 11619          | BBA 118V              | Photoflood No.1/Enlarger & Printer       | 250   | 118   | Med        |        | 4                   | A21   | 12      |           |
| BCK           | 54576          | BCK                   | Projector - Slide                        | 500   | 120   | G17t       |        | 50                  | T6    | 24      | 1         |
| BHC/DYS/DYV   | 54836          | BHC/DYS/DYV           | Projector, Microfilm, Stage & Studio     | 600   | 120   | GZ9.5      | 17500  | 75                  | T6    | 24      |           |
| BHC/DYS/DYV/X | 54868          | BHC/DYS/DYV/X         | Projector, Microfilm, Stage & Studio     | 600   | 120   | GZ9.5      | 14500  | 250                 | T6    | 24      |           |
| BHC/DYS/DYV-5 | 54835          | BHC/DYS/DYV-5         | Projector, Microfilm, Stage & Studio     | 600   | 125   | GZ9.5      | 17500  | 75                  | T6    | 24      | 2         |
| BRJ/EVB       | 54039          | BRJ/EVB 64633 HLX     | Projector, Microfilm, Microscope, Studio | 150   | 15    | G6.35      | 5600   | 50                  | T3.25 | 100     |           |
| BRL           | 54034          | BRL 64610 HLX         | Projector, Microfilm, Microscope, Studio | 50    | 12    | G6.35      | 1600   | 50                  | T3    | 100     |           |
| BRL           | 54035          | BRL 64610 HLX BULK    | Project, Microfilm, Microscope, Studio   | 50    | 12    | G6.35      | 1600   | 50                  | T3    | 250     |           |
| BRN           | 54698          | BRN                   | Projector                                | 1200  | 120   | G17q       |        | 20                  | T7    | 24      | 3         |
| BVA           | 54673          | BVA                   | Projector                                | 900   | 120   | GY9.5      |        | 75                  | T7    | 24      |           |
| BVE           | 54812          | BVE                   | Projector, Microfilm, Stage & Studio     | 625   | 120   | GY9.5      |        | 50                  | T6    | 24      |           |
| CAX           | 58831          | CAX                   | Projector, Microfilm, Microscope, Studio | 50    | 120   | DC Bayonet | 750    | 250                 | T4    | 24      |           |
| CBA           | 54580          | CBA                   | Projector - Slide                        | 500   | 120   | G17t       |        | 50                  | T6    | 24      | 1         |
| DDK           | 54729          | DDK                   | Projector                                | 80    | 19    | GX5.3      | 150    | 50                  | T3.15 | 24      | 4         |
| DDL           | 54660          | DDL                   | Projector - Microfilm                    | 150   | 20    | GX5.3      |        | 500                 | MR16  | 24      |           |
| DDM           | 54737          | DDM                   | Projector - Slide                        | 80    | 19    | GX5.3      | 400    | 50                  | MR16  | 24      | 4         |
| DDS           | 54944          | DDS                   | Projector - Microfilm                    | 80    | 21    | GX5.3      |        | 1000                | MR16  | 24      |           |
| DED           | 54726          | DED                   | Projector - Microfilm                    | 85    | 14    | GX5.3      | 150    | 1000                | MR16  | 24      | 4         |
| DEK/DFW       | 74440          | DEK/DFW               | Projector                                | 500   | 120   | Trufocus   |        |                     | T12   | 24      |           |
| DNE           | 54409          | DNE                   | Projector                                | 150   | 120   | GX7.9      | 100    | 15                  | TB16  | 24      | 4         |
| DNF           | 54411          | DNF                   | Projector - 8mm                          | 150   | 21    | GX7.9      | 300    | 25                  | MR18  | 24      |           |
| DVY           | 54528          | DVY                   | Projector, Stage & Studio                | 650   | 120   | G5.3       | 20000  | 25                  | T6    | 12      |           |
| DYH           | 54561          | DYH                   | Projector, Stage & Studio                | 600   | 120   | G5.3       | 17000  | 75                  | T5    | 24      |           |
| DZE           | 54755          | DZE                   | Projector, Microfilm, Stage & Studio     | 150   | 24    | GZ9.5      | 4000   | 100                 | T4    | 24      |           |
| EBV           | 11558          | EBV 118V              | Super Photoflood/ No.2                   | 500   | 118   | Med Brass  | 17800  | 8                   | PS25  | 24      |           |
| ECA           | 13365          | ECA 120V              | Super Photoflood                         | 250   | 120   | Med Brass  | 6500   | 20                  | A23   | 24      |           |
| ECT           | 11560          | ECT 120V              | Photoflood                               | 500   | 120   | Med Brass  | 13650  | 60                  | PS25  | 24      |           |
| EFM           | 54123          | EFM 64607             | Projector - 8mm                          | 50    | 8     | GZ6.35     |        | 50                  | MR16  | 20      |           |
| EFN           | 54126          | EFN 64615 HLX         | Projector - 8mm                          | 75    | 12    | GZ6.35     |        | 50                  | MR16  | 20      |           |
| EFP           | 54189          | EFP 64627 HLX         | Projector - 8mm                          | 100   | 12    | GZ6.35     |        | 50                  | MR16  | 20      |           |
| EFP/X         | 54192          | EFP/X 64629 HLX       | Projector - 8mm                          | 100   | 12    | GZ6.35     |        | 600                 | MR16  | 20      |           |
| EFR           | 54210          | EFR 64634 HLX         | Projector - 8mm                          | 150   | 15    | GZ6.35     |        | 50                  | MR16  | 20      |           |
| EFR-5/X       | 54211          | EFR-5/X 64620 HLX     | Projector - 8mm                          | 150   | 15    | GY6.35     |        | 500                 | MR16  | 20      |           |
| EHA           | 54585          | EHA                   | Projector, Microfilm, Stage & Studio     | 500   | 120   | GY9.5      |        | 50                  | T6    | 24      | 3         |

## AUDIOVISUAL

| ANSI Code | Product Number | Ordering Abbreviation | Application                                     | Watts | Volts | Base  | Lumens | Avg Rated Life(hrs) | Bulb | Pkg Qty | Footnotes |
|-----------|----------------|-----------------------|---|-------|-------|-------|--------|---------------------|------|---------|-----------|
| EHE       | 54038          | <b>EHE 64626 HLX</b>  | Projector                                       | 100   | 12    | PG22  | 3600   | 50                  | T4   | 30      |           |
| EHJ       | 54045          | <b>EHJ 64655 HLX</b>  | Projector, Microfilm, Microscope, Studio        | 250   | 24    | G6.35 | 10000  | 50                  | T4   | 100     |           |
| EJA       | 54753          | <b>EJA</b>            | Projector - Fiber optics                        | 150   | 21    | GX5.3 | 354    | 40                  | MR16 | 24      |           |
| EJL       | 54730          | <b>EJL</b>            | Projector - 16mm Color printer                  | 200   | 24    | GX5.3 | 725    | 50                  | MR16 | 24      | 4         |
| EJM       | 54747          | <b>EJM</b>            | Projector - 8mm                                 | 150   | 21    | GX5.3 | 170    | 40                  | TB18 | 24      | 4         |
| EJV       | 54732          | <b>EJV</b>            | Projector - 8mm, Printer                        | 150   | 21    | GX5.3 | 270    | 100                 | MR16 | 24      | 4         |
| EKE       | 54842          | <b>EKE</b>            | Projector - 8mm, Fiber-Optics                   | 150   | 21    | GX5.3 | 80     | 200                 | MR16 | 24      | 4         |
| EKE/X     | 58771          | <b>EKE/X</b>          | Projector - 8mm, Fiber-Optics                   | 150   | 21    | GX5.3 | 80     | 1000                | MR16 | 24      | 4         |
| EKP/ENA   | 54734          | <b>EKP/ENA</b>        | Projector - 8mm                                 | 80    | 30    | GX5.3 | 115    | 25                  | MR16 | 24      | 4         |
| ELC       | 54212          | <b>ELC 64653 HLX</b>  | Overhead projection, fiber-optic, entertainment | 250   | 24    | GX5.3 |        | 50                  | MR16 | 20      |           |
| ELC       | 54840          | <b>ELC</b>            | Overhead projection, fiber-optic, entertainment | 250   | 24    | GX5.3 | 800    | 50                  | MR16 | 24      | 4         |
| ELC-3/X   | 54841          | <b>ELC-3/X</b>        | Overhead projection, fiber-optic, entertainment | 250   | 24    | GX5.3 | 550    | 300                 | MR16 | 24      | 4         |
| ELC-7/X   | 54811          | <b>ELC-7/X BULK</b>   | Overhead projection, fiber-optic, entertainment | 250   | 24    | GX5.3 | 475    | 700                 | MR16 | 100     | 4         |
| ELC-7/X   | 54814          | <b>ELC-7/X</b>        | Overhead projection, fiber-optic, entertainment | 250   | 24    | GX5.3 | 475    | 700                 | MR16 | 24      | 4         |
| ELC-HL    | 54804*         | <b>ELC-HL</b>         | Overhead projection, fiber-optic, entertainment | 250   | 24    | GX5.3 | 950    | 50                  | MR16 | 24      |           |
| ELD       | 54745          | <b>ELD</b>            | Projector - Microfilm                           | 150   | 21    | GX5.3 | 350    | 40                  | MR16 | 24      | 4         |
| ELH       | 54776          | <b>ELH</b>            | Projector - Overhead                            | 300   | 120   | GY5.3 | 525    | 35                  | MR16 | 24      | 4         |
| ELS       | 54810          | <b>ELS</b>            | Projector                                       | 50    | 16    | GX7.9 | 20     | 650                 | TB14 | 24      | 4         |
| ELV       | 54765          | <b>ELV</b>            | Projector                                       | 150   | 22    | GX7.9 | 225    | 100                 | TB18 | 24      | 4         |
| ELZ       | 54816          | <b>ELZ</b>            | Projector                                       | 150   | 21    | GX7.9 | 350    | 60                  | TB18 | 24      | 4         |
| EMG       | 54828          | <b>EMG</b>            | Projector                                       | 500   | 220   | GY9.5 |        | 75                  | T6   | 24      |           |
| EMM/EKS   | 54960          | <b>EMM/EKS</b>        | Projector - 16mm                                | 250   | 24    | GX7.9 | 725    | 50                  | MR14 | 24      | 4         |
| ENG       | 54957          | <b>ENG</b>            | Projector                                       | 300   | 120   | GY5.3 | 690    | 15                  | MR16 | 24      | 4         |
| ENH       | 54986          | <b>ENH</b>            | Projector - Slide                               | 250   | 120   | GY5.3 | 340    | 175                 | MR16 | 24      | 4         |
| ENH-5     | 54988          | <b>ENH-5</b>          | Projector - Overhead                            | 250   | 125   | GY5.3 | 340    | 175                 | MR16 | 24      | 4         |
| ENL       | 58786          | <b>ENL</b>            | Projector - Display, Fiber-Optics               | 50    | 12    | GX5.3 | 85     | 4000                | MR16 | 24      |           |
| ENX       | 54984          | <b>ENX</b>            | Projector - Overhead                            | 360   | 82    | GY5.3 | 460    | 75                  | MR16 | 24      | 4         |
| ENX-5     | 54913          | <b>ENX-5</b>          | Projector - Overhead                            | 360   | 86    | GY5.3 | 540    | 75                  | MR16 | 24      | 4         |
| ENX-7     | 54916          | <b>ENX-7</b>          | Projector - Overhead                            | 360   | 88    | GY5.3 | 540    | 75                  | MR16 | 24      | 4         |
| EPR       | 54829          | <b>EPR</b>            | Projector                                       | 500   | 120   | G17t  |        | 50                  | T6   | 24      | 1         |
| EPS       | 54977*         | <b>EPS</b>            | Projector                                       | 500   | 240   | G17t  |        | 50                  | T6   | 24      | 1,3       |
| EPS/230   | 54975*         | <b>EPS/230</b>        | Projector                                       | 500   | 230   | G17t  |        | 50                  | T6   | 24      | 3,5       |
| EPT       | 58782          | <b>EPT</b>            | Projector - Fiber-Optics                        | 42    | 11    | GX5.3 |        | 8000                | MR16 | 24      |           |
| EPV       | 54926          | <b>EPV</b>            | Projector - Microfilm                           | 90    | 14    | GX5.3 | 36     | 500                 | MR16 | 24      | 4         |

## AUDIOVISUAL

| ANSI Code | Product Number | Ordering Abbreviation | Application                              | Watts | Volts | Base   | Lumens | Avg Rated Life(hrs) | Bulb  | Pkg Qty | Footnotes |
|-----------|----------------|-----------------------|--|-------|-------|--------|--------|---------------------|-------|---------|-----------|
| EPX       | 54927          | EPX                   | Projector - Microfilm                    | 90    | 14    | GX5.3  | 43     | 500                 | MR16  | 24      | 4         |
| EPZ       | 54743          | EPZ                   | Projector - Microfilm                    | 50    | 14    | GX5.3  | 80     | 3000                | MR16  | 24      | 4         |
| ERK       | 55050          | ERK BULK              | Projector                                | 12    | 6     | Wedge  |        | 150                 | T2.25 | 500     |           |
| ERM       | 55054          | ERM BULK              | Projector                                | 7     | 6     | Wedge  |        | 30                  | T2.25 | 500     |           |
| ESA/FHD   | 54025          | ESA/FHD 64225         | Projector                                | 10    | 6     | G4     | 200    | 100                 | T3    | 100     |           |
| ESB       | 54019          | ESB 64250 HLX         | Projector                                | 20    | 6     | G4     | 480    | 100                 | T3.5  | 100     |           |
| ETJ       | 54928          | ETJ                   | Projector                                | 250   | 120   | GY5.3  | 600    | 175                 | MR16  | 24      | 4         |
| EVA       | 54052          | EVA 64623 HLX         | Projector, Microfilm, Microscope, Studio | 100   | 12    | GY6.35 | 2800   | 2000                | T4    | 100     |           |
| EVC       | 54047          | EVC 64657 HLX         | Projector, Microfilm, Microscope, Studio | 250   | 24    | G6.35  | 9000   | 300                 | T4    | 100     |           |
| EVD       | 54100          | EVD 64663 HLX         | Projector, Microfilm, Studio             | 400   | 36    | G6.35  | 16000  | 50                  | T6    | 24      | 6         |
| EVD       | 54103          | EVD 64663 HLX BULK    | Projector, Microfilm, Studio             | 400   | 36    | G6.35  | 16000  | 50                  | T6    | 100     |           |
| EVW       | 54723          | EVW                   | Projector                                | 250   | 82    | GY5.3  | 390    | 50                  | MR16  | 24      | 4         |
| EXR       | 54392          | EXR                   | Projector - Slide                        | 300   | 82    | GX5.3  | 925    | 35                  | MR13  | 24      | 4         |
| EXR       | 54393          | EXR BULK              | Projector - Slide                        | 300   | 82    | GX5.3  |        | 35                  | MR13  | 100     | 4         |
| EXW       | 54388          | EXW                   | Projector - Slide                        | 300   | 82    | GX5.3  | 1050   | 15                  | MR13  | 24      | 4         |
| EXY       | 54394          | EXY                   | Projector - Slide                        | 250   | 82    | GX5.3  | 400    | 200                 | MR13  | 24      | 4         |
| EYB       | 54446          | EYB                   | Projector, Stage & Studio                | 360   | 82    | G5.3   | 10000  | 75                  | T3.5  | 24      |           |
| EYB-5     | 54448          | EYB-5                 | Projector, Microfilm, Stage & Studio     | 360   | 86    | G5.3   | 10000  | 75                  | T3.5  | 24      |           |
| EYB-7     | 54455          | EYB-7                 | Projector, Microfilm, Stage & Studio     | 360   | 88    | G5.3   | 10000  | 75                  | T3.5  | 24      |           |
| EZE       | 54386          | EZE                   | Projector, Stage & Studio                | 150   | 82    | GX5.3  | 350    | 150                 | MR13  | 24      | 4         |
| FBV       | 54568          | FBV                   | Projector, Microfilm, Stage & Studio     | 250   | 30    | E10    | 7000   | 6                   | T3    | 12      |           |
| FCR       | 54036          | FCR 64625 HLX         | Projector, Microfilm, Microscope, Studio | 100   | 12    | GY6.35 | 3600   | 50                  | T3.5  | 100     |           |
| FCS       | 54041          | FCS 64640 HLX         | Projector                                | 150   | 24    | G6.35  | 6000   | 50                  | T4    | 100     |           |
| FCS       | 54042          | FCS 64640 HLX BULK    | Projector                                | 150   | 24    | G6.35  | 6000   | 50                  | T4    | 250     |           |
| FDS/DZE   | 54055          | FDS/DZE 64643         | Projector, Microfilm, Microscope, Studio | 150   | 24    | GY9.5  | 5000   | 100                 | T4    | 30      |           |
| FDT 64628 | 54031          | FDT 64628             | Projector, Stage & Studio                | 100   | 12    | GY9.5  | 3000   | 50                  | T4    | 30      |           |
| FDV       | 54054          | FDV 64642 HLX         | Projector, Microfilm, Microscope, Studio | 150   | 24    | G6.35  | 5000   | 300                 | T4    | 100     |           |
| FHS       | 54979          | FHS                   | Projector - Slide                        | 300   | 82    | GX5.3  | 650    | 70                  | MR16  | 24      | 4         |
| FKT/EYH   | 54547          | FKT/EYH               | Projector - Video Camera                 | 250   | 120   | G5.3   | 5400   | 200                 | T6    | 24      |           |
| FLE       | 54383          | FLE                   | Projector                                | 360   | 82    | GY5.3  | 1250   | 75                  | MR16  | 24      | 4,7       |
| FLT       | 54440          | FLT                   | Projector - Video Camera, Microfilm      | 25    | 14    | G4     |        | 500                 | MR11  | 24      | 8         |
| FNS       | 58635          | FNS 64512             | Projector, Stage & Studio                | 300   | 120   | GX6.35 | 9500   | 15                  | T5    | 25      |           |
| FNT       | 54044          | FNT 64656PT HLX       | Projector, Microfilm, Microscope, Studio | 275   | 24    | G6.35  | 10000  | 75                  | T4    | 100     |           |

# AUDIOVISUAL

| ANSI Code | Product Number | Ordering Abbreviation | Application                                    | Watts | Volts | Base     | Lumens | Avg Rated Life(hrs) | Bulb  | Pkg Qty | Footnotes |
|-----------|----------------|-----------------------|--|-------|-------|----------|--------|---------------------|-------|---------|-----------|
| FNT       | 54046          | FNT 64656PT HLX BULK  | Projector, Microfilm, Microscope, Studio       | 275   | 24    | G6.35    | 10000  | 75                  | T4    | 250     |           |
| FSG       | 54899          | FSG                   | Projector                                      | 1200  | 120   | P28s     | 28000  | 100                 | T7    | 12      |           |
| FSX       | 54897          | FSX/230               | Projector                                      | 400   | 230   | GY9.5    |        | 75                  | T6    | 24      | 3         |
| FSY       | 54898          | FSY                   | Projector                                      | 400   | 240   | GY9.5    |        | 75                  | T6    | 24      | 3         |
| FXL       | 54912          | FXL                   | Projector - Overhead                           | 410   | 82    | GY5.3    | 640    | 75                  | MR16  | 24      |           |
| FXL-HL    | 54904          | FXL-HL                | Projector - Overhead                           | 410   | 82    | GY5.3    | 850    | 40                  | MR16  | 24      | 4         |
| GCB       | 54430          | GCB                   | Projector, Stage & Studio, Video               | 200   | 30    | G5.3     | 5300   | 200                 | T3    | 24      |           |
| GCC       | 54432          | GCC                   | Projector, Stage & Studio                      | 100   | 12    | G5.3     | 3100   | 200                 | T3    | 24      |           |
| GCD       | 54845          | GCD                   | Projector, Microfilm, Stage & Studio           | 590   | 50    | GZ9.5    | 21500  | 50                  | T6    | 24      |           |
|           | 53998          | 64638 HLX             | Projector                                      | 100   | 24    | G6.35    | 2900   | 300                 | T3    | 100     |           |
|           | 53999          | 64265 HLX             | Projector                                      | 30    | 6     | G4       | 765    | 100                 | T2    | 100     |           |
|           | 54021          | 64251 HLX             | Projector                                      | 20    | 6     | PG22     | 500    | 100                 | T3    | 30      |           |
|           | 54022          | 64260                 | Projector                                      | 30    | 12    | PG22     | 800    | 50                  | T3    | 30      |           |
|           | 54023          | 64261                 | Projector                                      | 30    | 12    | G6.35    | 750    | 50                  | T3.25 | 100     |           |
|           | 54026          | 62138 HLX             | Projector                                      | 100   | 12    | GZ6      |        | 25                  | T3    | 100     |           |
|           | 54027          | 64275                 | Projector                                      | 35    | 6     | G4       | 780    | 50                  | T3    | 100     |           |
|           | 54028          | 64611 HLX             | Projector                                      | 50    | 12    | G6.35    | 1350   | 100                 | T3.25 | 100     |           |
|           | 54032          | 64621 HLX             | Projector, Microfilm, Stage & Studio, Aircraft | 100   | 12    | PG22     | 2750   | 2000                | T3    | 30      |           |
|           | 54050          | 64223                 | Projector                                      | 10    | 6     | G4       | 150    | 300                 | T3    | 100     |           |
|           | 54056          | 64650                 | Projector, Microfilm, Microscope, Studio       | 50    | 23    | G6.35    | 1000   | 1300                | T4    | 100     |           |
|           | 54057          | 64664 HLX             | Projector, Microfilm, Microscope, Studio       | 400   | 36    | G6.35    | 14500  | 150                 | T6    | 25      | 9         |
|           | 54058          | 64665 HLX             | Projector, Microfilm, Microscope, Studio       | 400   | 36    | G6.35    | 12200  | 300                 | T6    | 25      |           |
|           | 54120          | 64258 HLX             | Projector                                      | 20    | 12    | G4       |        | 2000                | T3    | 100     |           |
|           | 54121          | 64617S                | Projector                                      | 75    | 12    | G5.3-4.8 |        | 25                  | MR11  | 20      |           |
|           | 54122          | 64255                 | Projector                                      | 20    | 8     | GZX4     |        | 50                  | MR11  | 20      |           |
|           | 54124          | 64617                 | Projector                                      | 75    | 12    | G5.3-4.8 |        | 25                  | MR11  | 20      |           |
|           | 54125          | 64624                 | Projector                                      | 100   | 12    | G5.3-4.8 |        | 25                  | MR11  | 20      |           |
|           | 54136          | 64654 HLX             | Projector, Microfilm, Microscope, Studio       | 250   | 24    | GY9.5    | 9000   | 300                 | T6    | 30      |           |
|           | 54138          | 64602                 | Projector, Microfilm, Microscope, Studio       | 50    | 12    | G6.35    | 1000   | 1100                | T3.25 | 100     |           |
|           | 54214          | 64637                 | Projector                                      | 100   | 12    | GZ6.35   |        | 1500                | MR16  | 20      |           |
|           | 54233          | 64635 HLX             | Projector, Fiber-Optic                         | 150   | 15    | GZ6.35   |        | 50                  | MR16  | 20      |           |
|           | 54400          | 85T3/RM               | Projector                                      | 85    | 82    | GX5.3    |        | 40                  | MR16  | 24      |           |
|           | 54466          | 120/T4/SPECIAL        | Projector                                      | 120   | 24    | Special  | 2750   | 500                 | T4    | 24      |           |
|           | 58729          | 60T4QCL               | Medical Overhead Illumination                  | 60    | 24    | BA15d    | 1280   | 500                 | T4    | 12      |           |
|           | 58939          | 220T4Q/2PPF           | Medical Overhead Illumination                  | 220   | 22    | GY9.5    | 6200   | 200                 | T4    | 12      |           |

PHOTO OPTIC HALOGEN