

Single Stud Connection Block

Specifications:

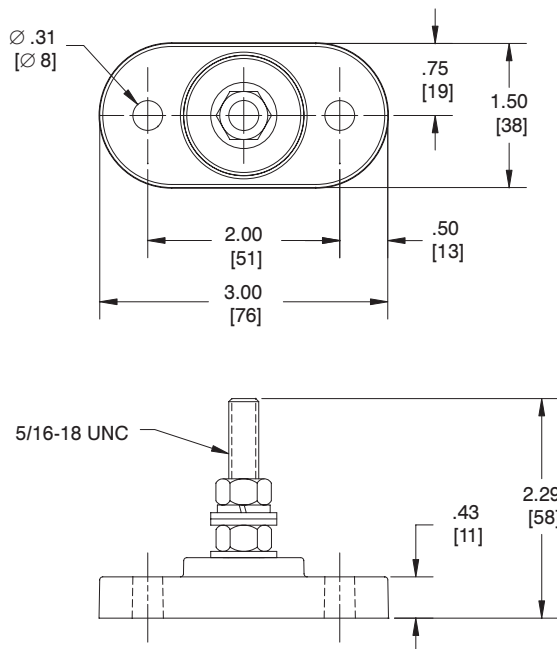
- Base, Thermoplastic
- Temperature Rating of 125°C (UL RTI)
- Hardware, Stainless Steel
- 300 Volt AC/DC
- Recommended Mounting Screw 1/4"
- Available with two stud sizes: 5/16" or 3/8"
- Designed for two or more wire lugs
- RoHS Compliant



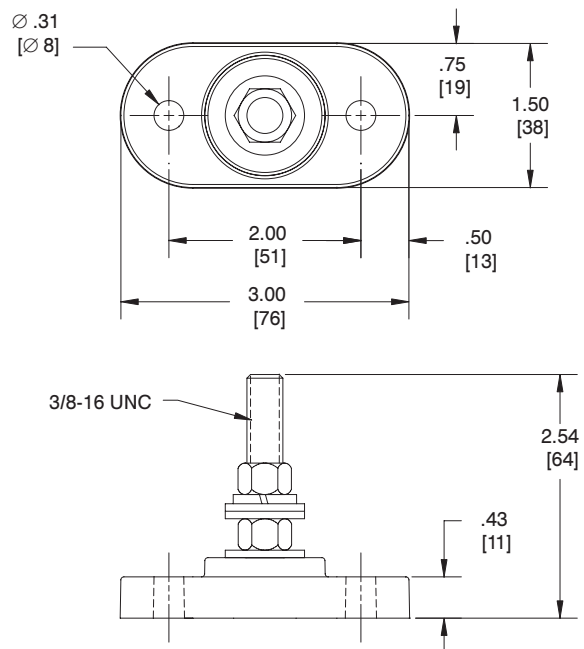
ST 710 38

Studded Feed Thru

Catalog # ST 710 31 5/16" Stud



Catalog # ST 710 38 3/8" Stud



For electronic drawings or 2D/3D CAD data, send request to drawings@marathonsp.com