

Bell Mounts - Type CFE



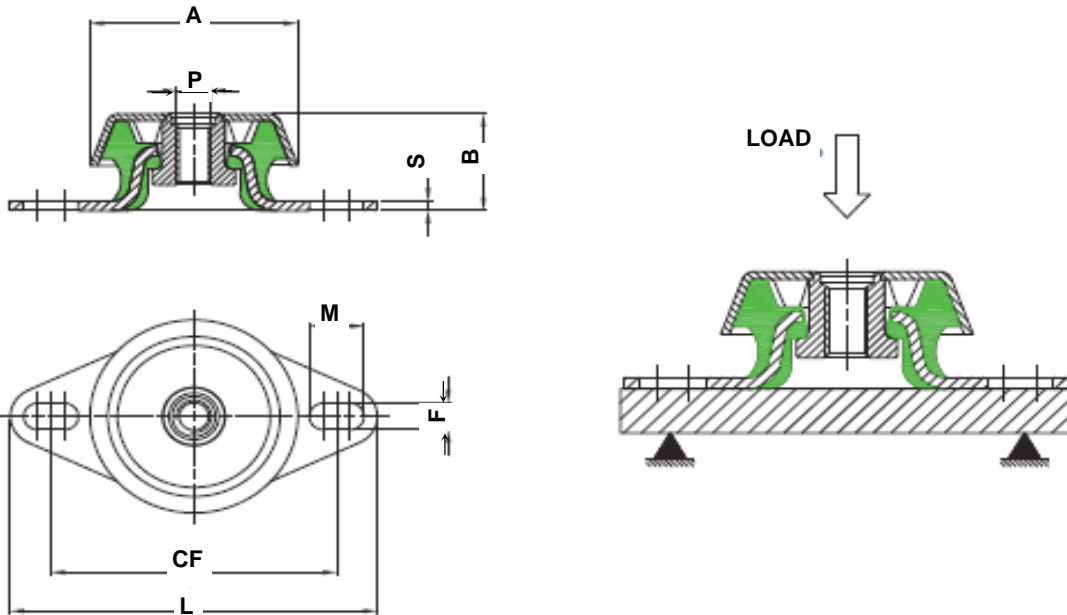
Applications

- Gensets
- Engines
- Toolroom Machinery
- Pumps
- Special Equipment
- HVAC
- Pumps

The CFE range of mounts offer a low profile, easy to install design with an integral fail-safe device to provide shock and failure protection for mobile, marine or seismic stationary applications.

When the rubber works in shear and compression, it provides large static deflections, low natural (to 8Hz) and high isolation.

These Bell Mounts are designed with a fail-safe function making it an ideal solution for applications where safety is paramount.



Farnell Ref:	Fibet Ref:	Hardness (IRHD)	A	B	P	FxM	CF	L	S	Average Stiffness (daN/mm)	Maximum Load (daN)	Maximum Deflection (mm)
4997207	CFE623112-60	60	60	31	M12	8.3 x 16	75 - 90	106	3	16.0	53.0	3.3