

PAM-340A/480A



PUBLIC ADDRESS AMPLIFIER



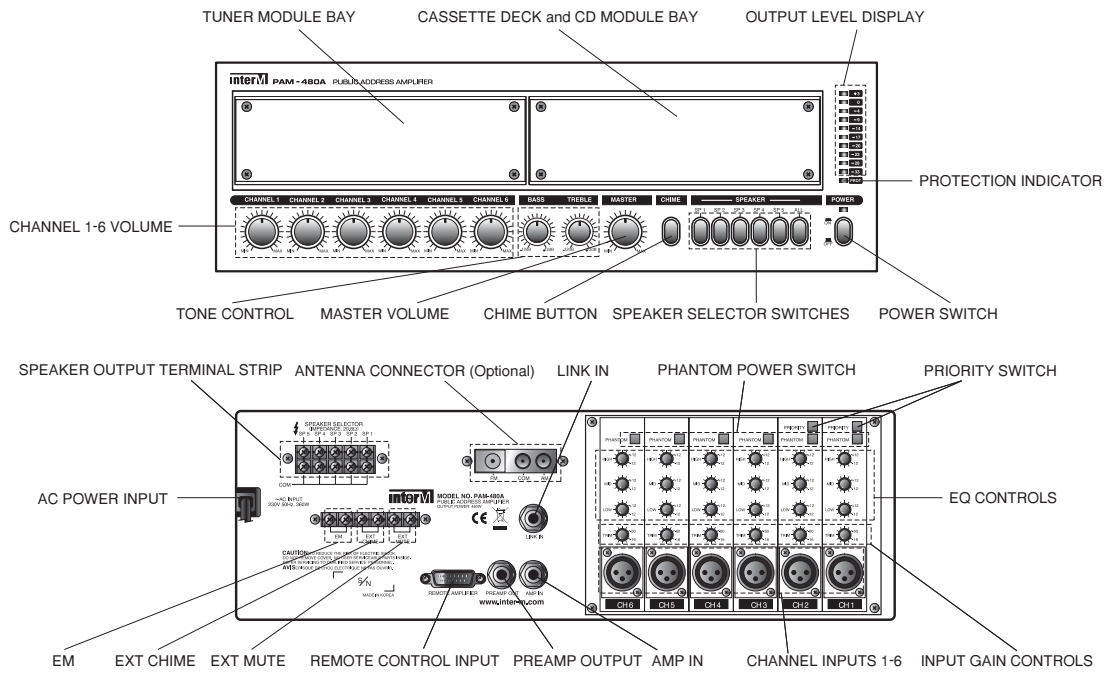
FEATURES

- **MODULAR DESIGN**
Optional modules can be installed in multiple configurations for convenience and ease of use. Choose the PAM-CDA (Compact Disc), PAM-T (AM/FM Tuner) or PAM-D (Cassette Deck) modules to expand the PAM-120A/340A/480A's audio capabilities.
- **INDIVIDUAL INPUT GAIN CONTROLS**
Rear-panel gain controls for each input channel for total control of individual levels.
- **SPEAKER SELECT**
Six speaker select switches enable you to select any combination of up to five speakers.
- **SELECTABLE PRIORITY MUTING**
Switchable audio signal priority for Channels 1 and 2, Chime and Telephone input over other input sources.
- **REMOTE CONTROL INPUT**
Individual speaker zones can be selected and chime can be operated by wired remote control.
- **ANNOUNCEMENT CHIME**
Convenient four-tone chime for use with announcements.
- **EM-OPTIONAL EMERGENCY VOICE IC**
When EM switch is pressed in emergencies, EM broadcasting stored in VOICE IC is outputted.

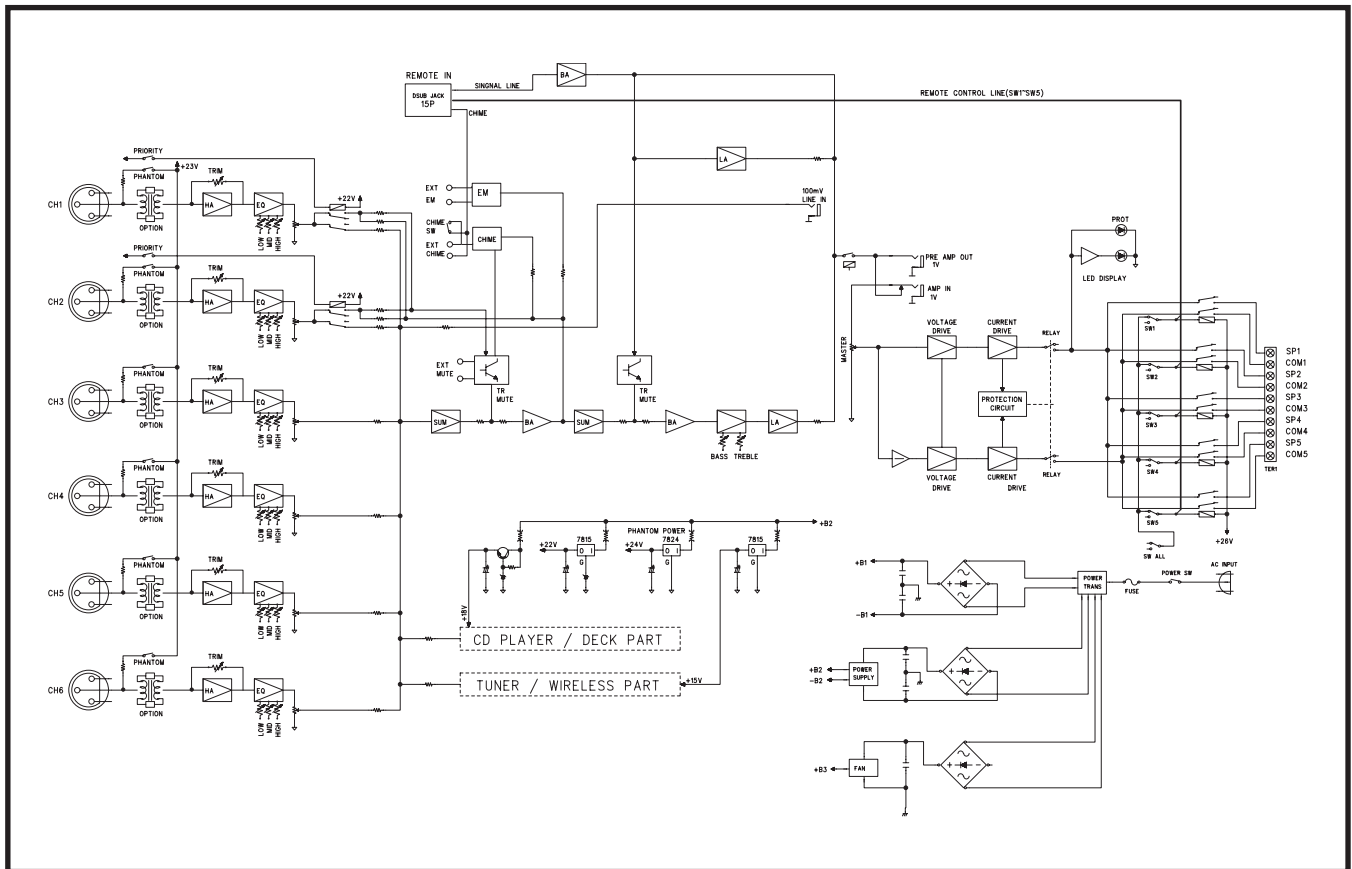
SPECIFICATIONS

- **ELECTRICAL** * 0dB=0.775Vrms
 - Rated Output Power.....PAM-340A:340W (RMS):THD 3%
PAM-480A:480W (RMS):THD 3%
 - Frequency Response.....Amp In:80Hz~20kHz
Link In:80Hz~15kHz
CH1~CH6:120Hz~8kHz
Remote In:120Hz~8kHz
 - T.H.D.(at 1kHz Half Power Output).....Less than 0.5%
 - S/N.....Amp In:Better than 88dB
Link In:Better than 65dB
CH1~CH6:Better than 50dB
Remote In:Better than 50dB
 - Input Sensitivity.....TRIM VR -60dB Position:1mV/10kΩ
/Impedance TRIM VR -16dB Position:158mV/10kΩ
(CH1~CH6) Link In:100mV/10kΩ
Amp In:1V/20kΩ
Remote In:1V/10kΩ
 - Speaker Output.....PAM-340A:340W, 100V/29.4Ω
/Impedance PAM-480A:480W, 100V/20.8Ω
 - Preamp Output/Impedance.....1V/600Ω
 - Tone Control (100Hz, 10kHz).....±12dB
 - CH1~CH6 EQ Control (100Hz, 1kHz, 10kHz).....±12dB
- **GENERAL**
 - Power Source.....100-120VAC or 220-240VAC; 50/60Hz
(Supplied AC mains transformer depends on country requirements)
 - Power Consumption.....PAM-340A:260W(1/8 POWER)
PAM-480A:360W(1/8 POWER)
 - Weight.....PAM-340A:13.5kg/29.7lb
PAM-480A:15.5kg/34.2lb
 - Dimensions.....420(W) x 132(H) x 360(D)mm
16.5(W) x 5.2(H) x 14.2(D)in

PAM-340A/480A



BLOCK DIAGRAM



interM