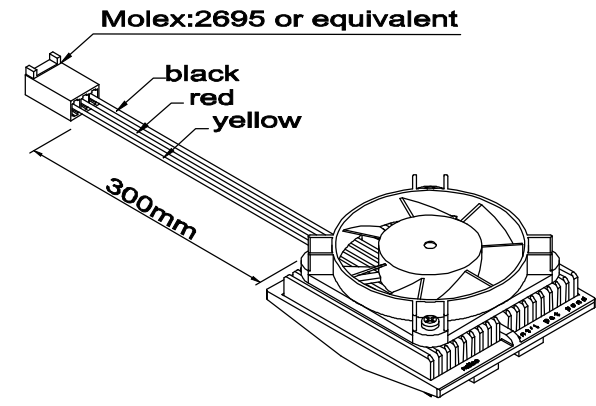
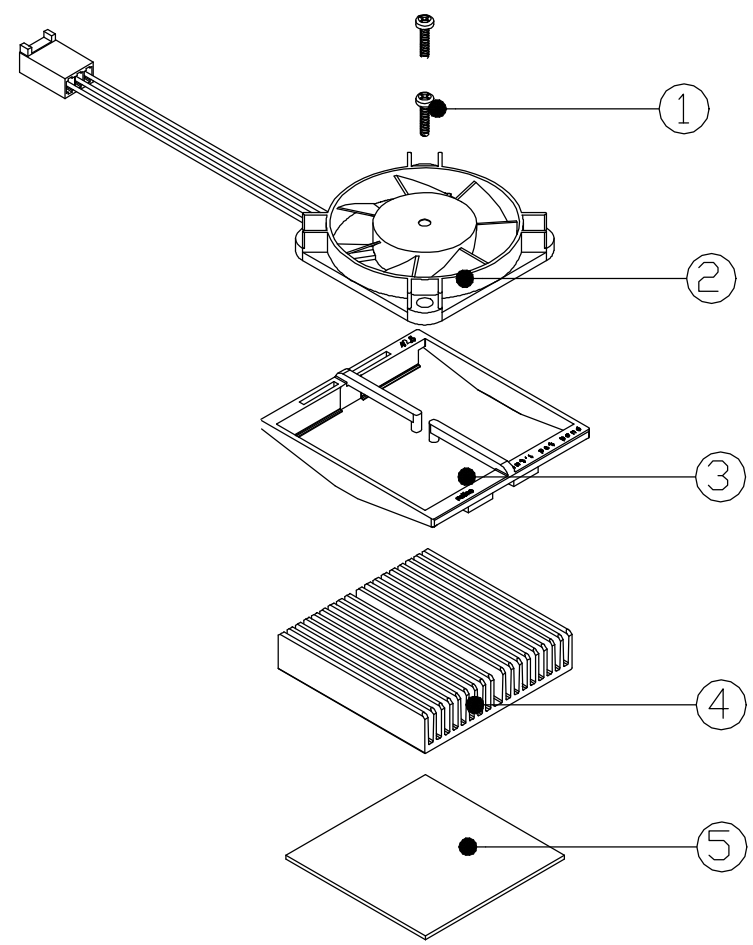


Rev.	Description	Date	Checked
A	new release	01.28.2011	Wen

A
B
C
D
E
F

A
B
C
D
E
F



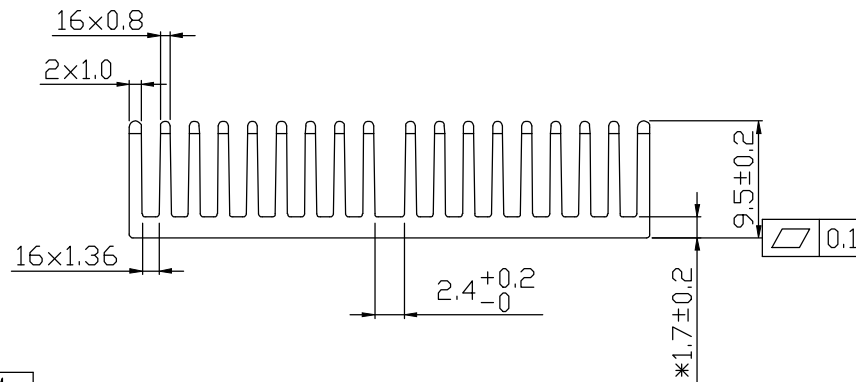
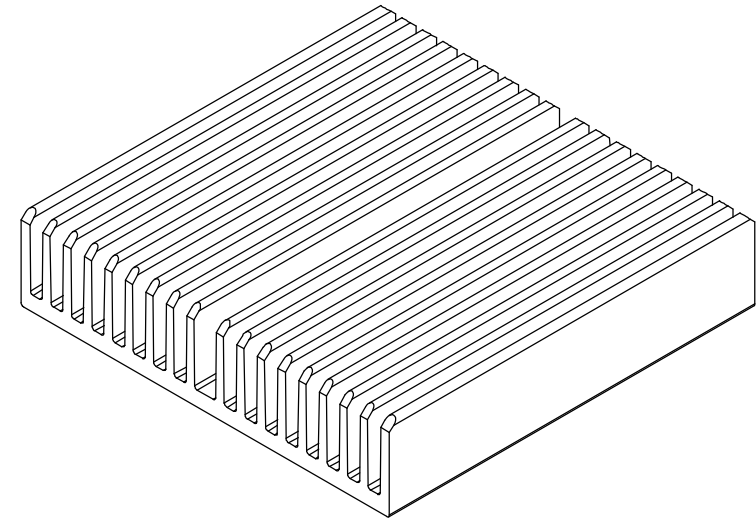
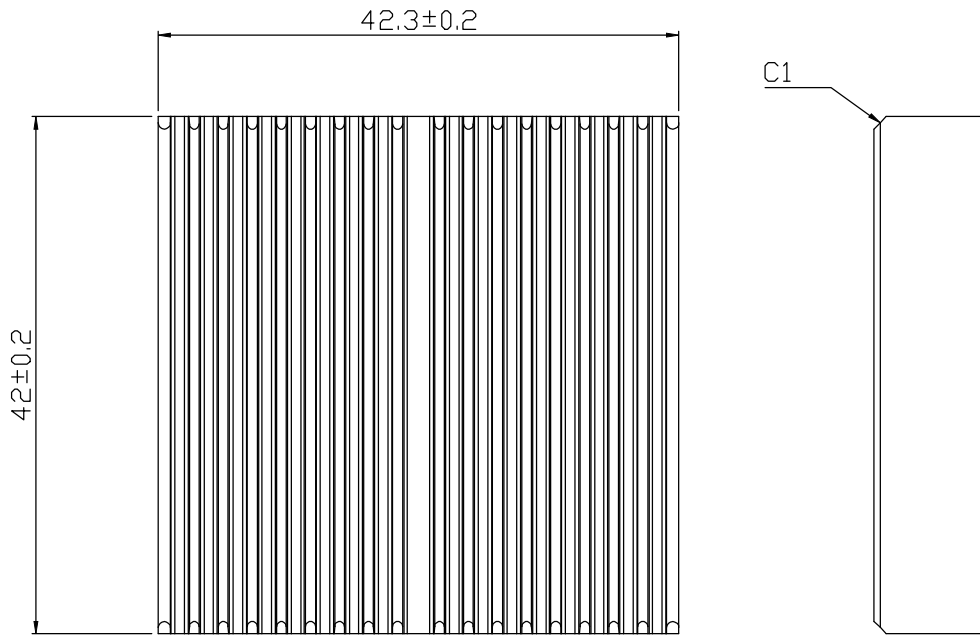
Notes:

Item	Description	Dimension (mm)	Material	Finish / Color	Qty
1	F001-00003	P2 x 10L	steel	black	2
2	DFANSU40400802-00	40 x 40 x 6.9 (5V)	plastic	black	1
3	DCLIP050450801-00	49.6 x 45.2 x 7.5	plastic	orange	1
4	BHBH3142421000-07	42.3 x 42 x 9.5	AL 6063	black anodize	1
5	F002-00045	40 x 40 x 0.13	T710		1

Finish: see notes	Malico Inc.			
Material: see notes				
Date: 01.28.2011	Approved: Sammy	Checked: Audi	Drawn: Wen	Rev.: A
Title: assembly	Model no. : CHBF3142421601-00 (HBF42.5031-16O+T710)			

Malico Confidential


REV	ALTERATION	DATE	CHECKED
A	NEWRELEASE	06.05.2008	Beckham
B			
C			
D			
E			



NOTES:

1."*" IS CRITICAL DIM WHICH MUST BE INSPECTION BY EACH SHIPMENT.

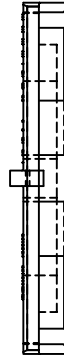
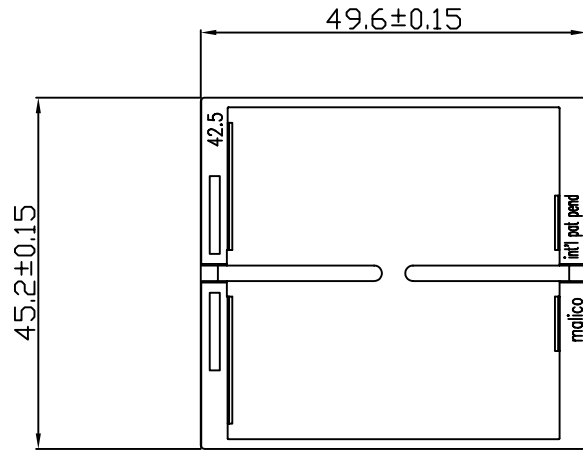
UNIT: MM
TOLERANCE TABLE
X. = ±0.30
X.X = ±0.20
X.XX = ±0.10
ANGLF = ± 1°

FINISH: BLACK ANODIZE	 MALICO INC.			
MATERIAL: AL 6063-T5	APPROVED: Sammy	CHECKED: Wen	DRAWN: Beckham	REV: A
DATE: 06.05.2008	MODEL NO: BHBH3142421000-07			
TITLE: HEAT SINK	(Equal No.HBH42.5031-10)			

Malico Confidential

REV	ALTERATION	DATE	CHECKED
A	NEWRELEASE	11.15.2006	Nicole
B	CHANGED STANDOFF DIMENSION	04.16.2007	Nicole
C	Changed the mark on clip	06.12.2007	Kenji
D			
E			

A



B

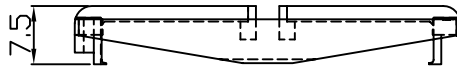
NOTES:

1.

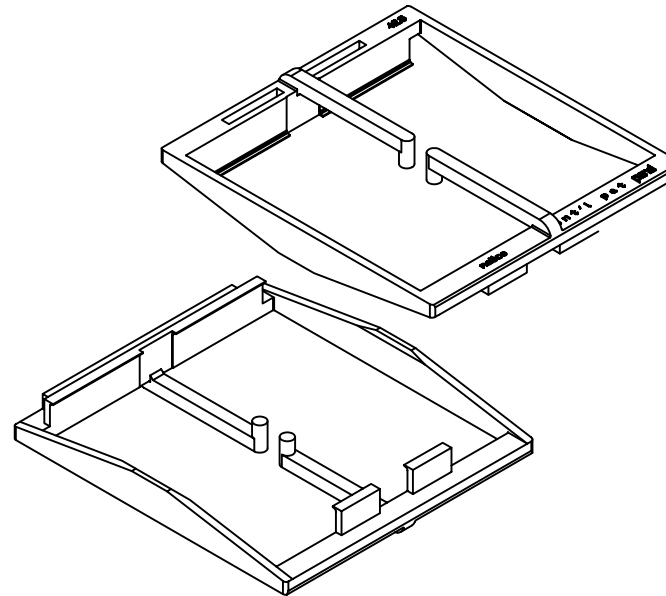
CHIP SET THICKNESS	COLOR/PART NO.
2.1mm~2.6mm	YELLOW / DCLIP050450802-00
1.5mm~2.0mm	BLUE / DCLIP050450800-00
0.9mm~1.4mm	ORANGE / DCLIP050450801-00

2.*** IS CRITICAL DIM WHICH MUST BE INSPECTION BY EACH SHIPMENT.

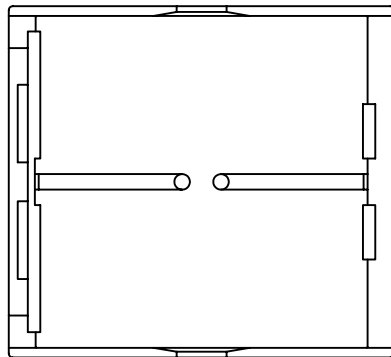
C



D



E



F

UNIT: MM	
TOLERANCE TABLE	
X.	= ±0.30
X.X	= ±0.20
X.XX	= ±0.10
ANGLE	= ± 1°

COLOR: SEE NOTES 1				
MATERIAL: PLASTIC	APPROVED: Sammy	CHECKED: Audi	DRAWN: Kenji	REV: C
DATE: 06.12.2007	MODEL NO: DCLIP0504508XX-00 (Equal No.BCP5045-08(42.5))			
TITLE: CLIP				

1

2

3

4

5

6

7

8

9

10

A

B

C

D

E

F

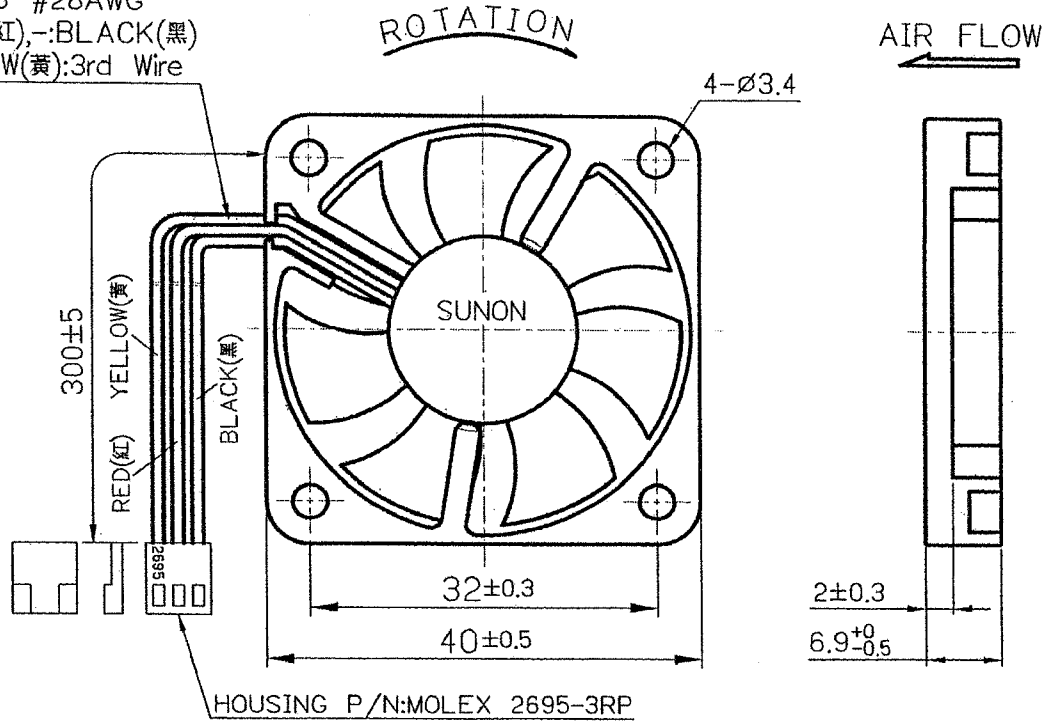
MATERIAL

DFANSU40400602-00 GM0504PEV1-8

- 2-1. Frame : Thermoplastic PBT of UL 94V-0
- 2-2. Impeller : Thermoplastic PBT of UL 94V-0
- 2-3. Bobbin : Thermoplastic PBT of UL 94V-0
- 2-4. Lead Wire : UL3265,28 awg,+RED,-BLACK
UL3265,28 awg,YELLOW:3rd Wire

DIMENSIONS

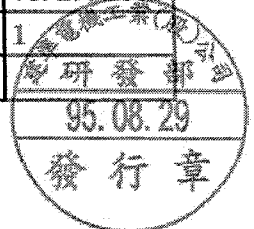
UL3265 #28AWG
+:RED(紅),-:BLACK(黑)
YELLOW(黃):3rd Wire



1. Air Flow Direction: Toward label side.
2. Best Mounting Direction: Any orientation.

UNITS: mm

建準電機工業股份有限公司 SUNONWEALTH ELECTRIC MACHINE INDUSTRY CO., LTD.	SPEC.NO	D04053890G-00	REVISION DATE	08. 29. 2006
	ISSUE DATE	07. 26. 2006	EDITION	1
	PAGE	5 OF 11		



Handwritten signature