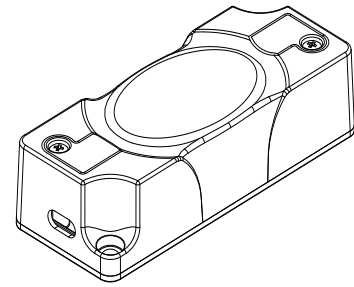


LED DRIVER DC CC
LED 12 DC 350mA
LED 12 DC 500mA
LED 12 DC 700mA
LED 12 DC 1050mA

Features

1. Designed for IP67
2. Designed for UL
3. Reinforced insulation from input to output
4. Small dimensions
5. Protections: Electronic internal Self-Resettable Short Circuit, Input Voltage Surge, Thermal
6. AC Input
7. Fast Start-Up Time
8. 120-249V Input
9. High-efficiency, very high Vout range (up to 2-35V)



Applications

1. LED in- and outdoor lighting
2. Street lighting
3. Architectural lighting
4. Orientation lighting
5. Ambience lighting
6. Task, Table and Floor lighting

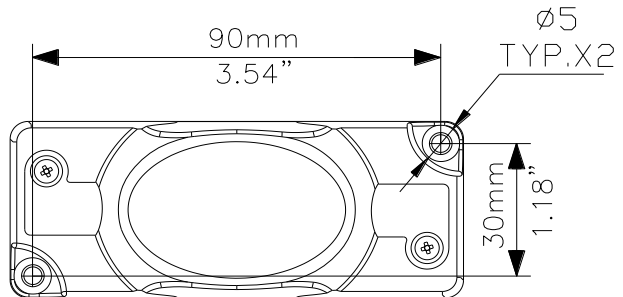
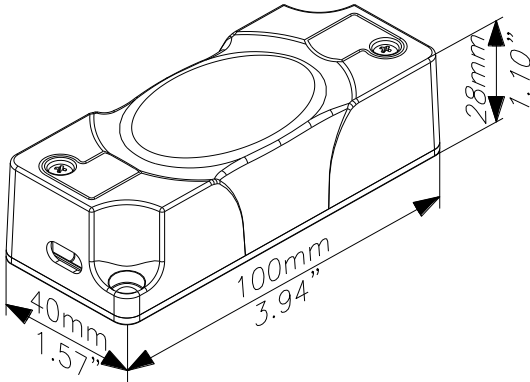


Specifications

VERSION		12W 350mA	12W 500mA	12W 700mA	12W 1050mA
SKU No.		901012350	901012500	901012700	9010121050
INPUT	VOLTAGE RANGE (V)	120-240	120-240	120-240	120-240
	FREQUENCY RANGE (Hz)	0/50/60	50/60	50/60	50/60
	POWER FACTOR	0.5	0.5	0.5	0.5
	EFFICIENCY (Typ.)%	80	79	79	77
	AC CURRENT (A)	0.21-0.14	0.21-0.14	0.21-0.14	0.21-0.14
	INRUSH CURRENT LIMITER	NO	NO	NO	NO
OUTPUT	VOLTAGE (V) Note 3	2-35	2-26	2-18	2-12.5
	CURRENT (A) Note 3	0.35	0,5	0.7	1.05
	RATED POWER (W)	12	12	12	12
DIMMABLE	YES/NO	NO	NO	NO	NO
PROTECTION	INPUT VOLTAGE SURGE	YES	YES	YES	YES
	OVER TEMPERATURE	YES	YES	YES	YES
	SHORT CIRCUIT PROTECTION	YES	YES	YES	YES
	REINFORCED INSULATION	YES	YES	YES	YES
ENVIRONMENT	Ta (°C)	-25°C...+35°C			
	Tc (°C)	65	65	65	65
	WORKING HUMIDITY	IP20			
	STORAGE TEMP. (°C)	-10...+70	-10...+70	-10...+70	-10...+70
STANDARDS	VDE SAFETY	PENDING			
	VDE EMC	PENDING			
	UL	N/A			
MECHANICAL	PLASTIC/ METAL CASE	PLASTIC			
	INPUT WIRES COLOR	N/A - TERMINAL BLOCKS			
	INPUT WIRES SIZE	CABLE HO3VVH-F 2CX0.75mm ²			
	OUTPUT WIRE COLOR	N/A - TERMINAL BLOCKS			
	OUTPUT WIRE SIZE	CABLE HO3VVH-F 2CX0.75mm ²			
	WEIGHT	0.073kg			
NOTE	1. All parameters are measured at rated input, rated load and 25°C of ambient temperature.				
	2. Specifications may vary from time to time without notice.				
	3. Tolerance: includes set up tolerance, line regulation and load regulation.				
	4. Subject to standard warranty, terms and conditions as published from time to time.				

- LED 12 DC 350mA
- LED 12 DC 500mA
- LED 12 DC 700mA
- LED 12 DC 1050mA

Mechanical Drawing



Mounting Instructions

<p> $t_a: 35^{\circ}\text{C max}$ $A \geq 25\text{mm}, B \geq 100\text{mm}$ </p>	<p>LED 12 DC 350mA From 1 to 8 leds in series. $V_f \leq 4.2\text{V}$</p>
	<p>LED 12 DC 500mA From 1 to 6 leds in series. $V_f \leq 4.2\text{V}$</p>
	<p>LED 12 DC 700mA From 1 to 4 leds in series. $V_f \leq 4.2\text{V}$</p>
	<p>LED 12 DC 1050mA From 1 to 3 leds in series. 3 legs in parallel $V_f \leq 4.2\text{V}$</p>

V_f – Maximum LED Voltage drop

Safety Instructions

1. Always disconnect power before installation and/or removal of the unit.
2. Install in accordance with national and local electrical codes.