

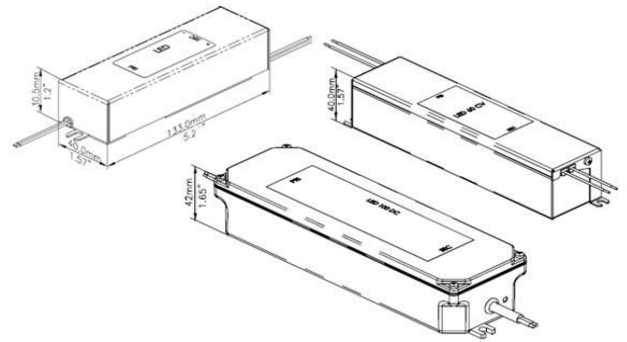
**LED DRIVER DC CV, POTTED**  
**LED 25 DC 12V/24V PS**  
**LED 60 DC 12V/24V PS**  
**LED 100 DC 12V/24V PS**

### Features

1. Designed for IP67.
2. Reinforced insulation from input to output.
3. High efficiency.
4. PFC: > 0.95.
5. Fully protected: Short circuit, Input voltage surge, Thermal, Secondary switch, Overload regulation, Over voltage protection. Self-resettable.
6. AC/DC.

### Applications

1. Led in- and outdoor lighting.
2. Street lighting.
3. Architectural lighting.
4. Signage.
5. Indication and orientation lighting.
6. Ambience lighting.

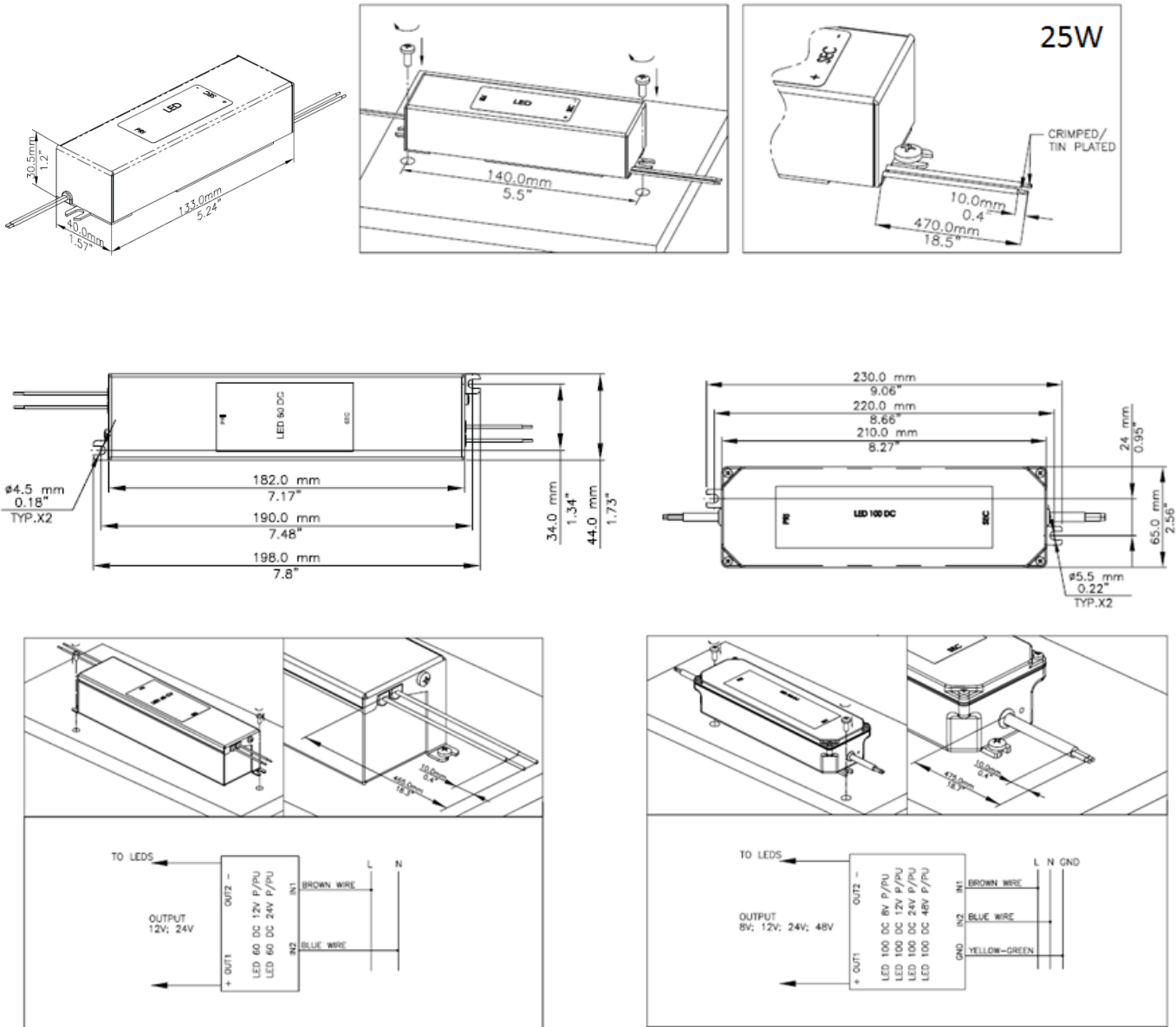


### Specifications

VERSION		25W 12V	25W 24V	60W 12V	60W 24V	100W 12V	100W 24V
SKU No.		901025012PS	901025024PS	901060012PS	901060024PS	901100012PS	901100024PS
INPUT	VOLTAGE RANGE (V)	85-277	85-277	120-240	100-277	120-240	120-240
	FREQUENCY RANGE (Hz)	50/60	50/60	50/60	50/60	0/50/60	0/50/60
	POWER FACTOR	0,98	0,98	0,98	0,98	0,95	0,95
	EFFICIENCY (Typ.)%	82	84	85	87	81	83
	AC CURRENT (A)	0.3-0.1	0.3-0.1	0.75-0.45	0.8-0.3	1.1-0.6	1.1-0.6
	INRUSH CURRENT (A)	6.5A/20us	6.5A/20us	7.4A/25us	7.4A/25us	50A/1ms	50A/1ms
OUTPUT	VOLTAGE (V) Note 3	12	24	12	24	12	24
	RIPPLE p-p (V)	2	2	2	1.5	1.5	1.5
	RATED POWER (W)	25	25	60	60	100	100
DIMMABLE	YES/NO	NO	NO	NO	NO	NO	NO
PROTECTION	INPUT VOLTAGE SURGE	YES	YES	YES	YES	YES	YES
	OVER TEMPERATURE	YES	YES	YES	YES	YES	YES
	SHORT CIRCUIT PROTECTION	YES	YES	YES	YES	YES	YES
	REINFORCED INSULATION	YES	YES	YES	YES	YES	YES
ENVIRONMENT	Ta (°C)	-25...+50	-25...+50	-25...+50	-25...+50	-30...+50	-30...+50
	Tc (°C)	90	90	90	90	90	90
	WORKING HUMIDITY	IP67	IP67	IP67	IP67	IP67	IP67
	STORAGE TEMP. (°C)	-10...+70	-10...+70	-10...+70	-10...+70	-10...+70	-10...+70
STANDARDS	VDE SAFETY	PENDING	PENDING	PENDING	PENDING	PENDING	PENDING
	VDE EMC	PENDING	PENDING	PENDING	PENDING	PENDING	PENDING
	UL	YES	YES	YES	YES	YES	YES
MECHANICAL	PLASTIC/ METAL CASE	METAL-WHT	METAL-WHT	METAL-WHT	METAL-WHT	METAL-WHT	METAL-WHT
	INPUT WIRES COLOR	BRW/BLU	BRW/BLU	BRW/BLU	BRW/BLU	BRW/BLU	BRW/BLU
	INPUT WIRES SIZE	0.75mm <sup>2</sup>	0.75mm <sup>2</sup>	0.75mm <sup>2</sup>	0.75mm <sup>2</sup>	0.75mm <sup>2</sup>	0.75mm <sup>2</sup>
	OUTPUT WIRE COLOR	BLK/RED	BLK/RED	BLK/RED	BLK/RED	BLK/RED	BLK/RED
	OUTPUT WIRE SIZE	18AWG	18AWG	0.75mm <sup>2</sup>	0.75mm <sup>2</sup>	1.5mm <sup>2</sup>	1.5mm <sup>2</sup>
	GROUND WIRE COLOR					GREEN	GREEN
	GROUND WIRE SIZE					0.75mm <sup>2</sup>	0.75mm <sup>2</sup>
WEIGHT	0.350kg		0.550kg		1.13kg		
NOTE	1. All parameters are measured at rated input, rated load and 25°C of ambient temperature.						
	2. Specifications may vary from time to time without notice.						
	3. Tolerance: includes set up tolerance, line regulation and load regulation.						
	4. Subject to standard warranty, terms and conditions as published from time to time.						

LED DRIVER DC CV, POTTED  
 LED 25 DC 12V/24V PS  
 LED 60 DC 12V/24V PS  
 LED 100 DC 12V/24V PS

## Mechanical Drawings and Mounting Instructions



### Safety Instructions

1. Always disconnect power before installation and/or removal of the unit.
2. Install in accordance with national and local electrical codes.