

LED DRIVER DC CV, POTTED
LED 150 DC 12V EMS (EU) LED 150 DC 12V UM (USA)
LED 150 DC 24V EMS (EU) LED 150 DC 24V UM (USA)

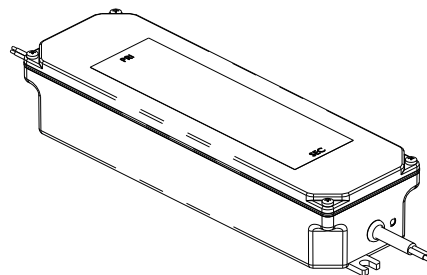
LED

Features

0.99 Power Factor
 90-93% efficiency
 120-277V input voltage
 Tiny inrush current (1A-2A)
 Surge, Over-temperature, Short-circuit protections

Applications

Under-cabinet LED lighting, Cove LED lighting
 Ideal for daisy-chained LED installations
 Hi-power LED lighting
 LED Signage

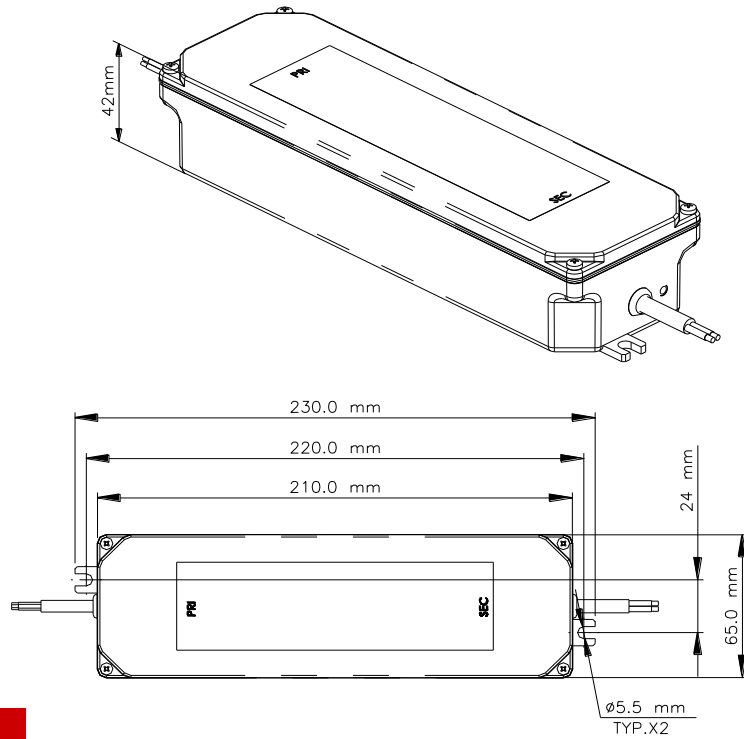


Specifications

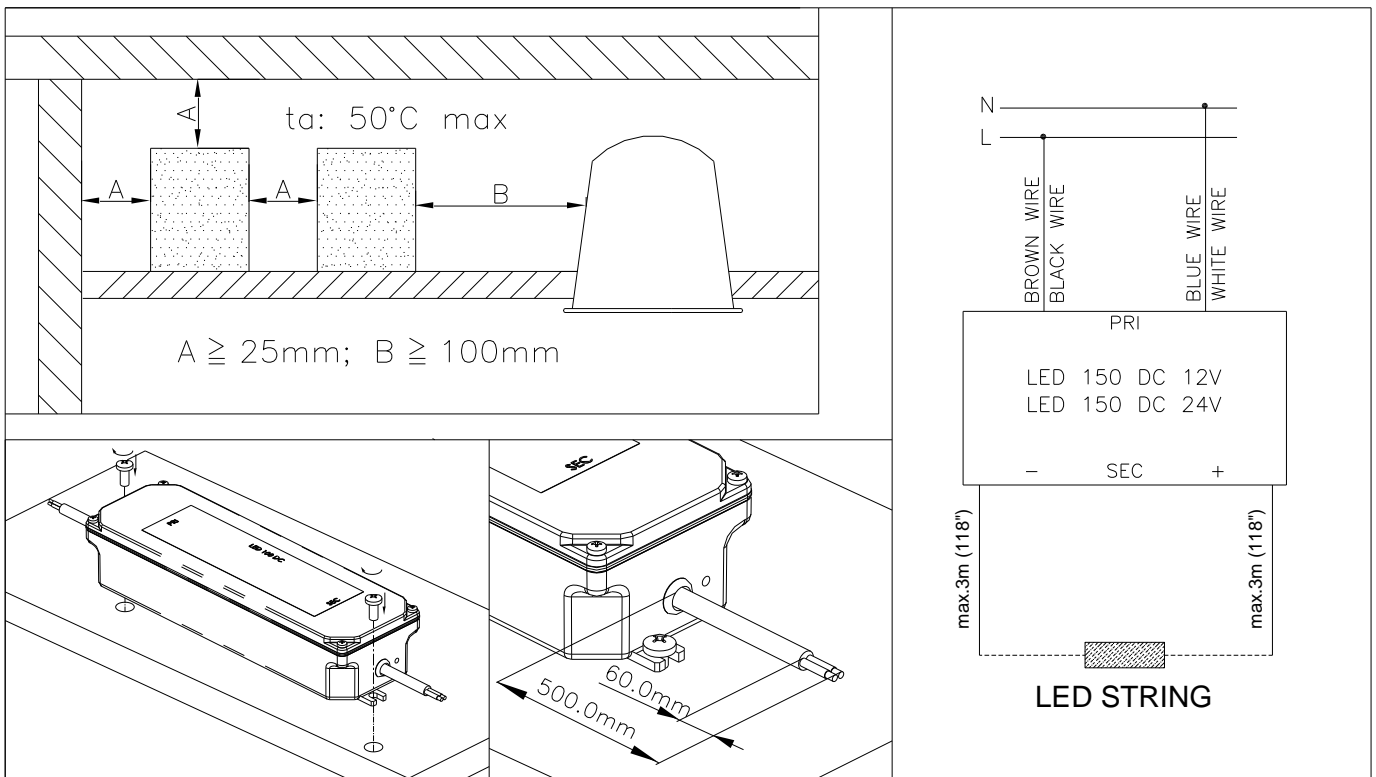
VERSION		150 DC 12V	150 DC 24V	150 DC 12V	150 DC 24V	150 DC 12V	150 DC 24V
SKU No.		901150012EMS	901150024EMS	901150012-120-UM	901150024-120-UM	901150012 UM	901150024 UM
INPUT	VOLTAGE RANGE (V)	220-240		120		120-277	
	FREQUENCY RANGE (Hz)	0/50/60		0/50/60		0/50/60	
	POWER FACTOR	0,99		0,99		0,99	
	EFFICIENCY (Typ.)%	90		90		90	
	AC CURRENT (A)	0,7		1,4		1.4-06	
	INRUSH CURRENT (A)	2		1		2	
OUTPUT	VOLTAGE (V) Note 3	12 ±10%	24±10%	12 ±10%	24±10%	12 ±10%	24±10%
	RATED POWER (W)	150					
DIMMABLE	YES/NO	NO					
PROTECTION	INPUT VOLTAGE SURGE	YES					
	OVER TEMPERATURE	YES					
	SHORT CIRCUIT PROTECTION	YES					
	REINFORCED INSULATION	YES					
ENVIRONMENT	Ta (°C)	-25...+50	-25...+50	-25...+50	-25...+50	-25...+50	-25...+50
	Tc (°C)	70	70	75	75	80	80
	WORKING HUMIDITY	IP67	IP67	OUTDOOR			
	STORAGE TEMP. (°C)	-10...+70	-10...+70	-10...+70	-10...+70	-10...+70	-10...+70
STANDARDS	VDE SAFETY	PENDING		N/A			
	VDE EMC	PENDING		N/A			
	UL	N/A		PENDING			
MECHANICAL	PLASTIC/ METAL CASE	METAL		METAL			
	CASE COLOR	WHITE		WHITE			
	INPUT WIRES COLOR	BRW/BLU		BLK/WHT			
	INPUT WIRES SIZE	0.75mm²		18AWG			
	OUTPUT WIRE COLOR	BLK/RED		BLK/RED			
	OUTPUT WIRE SIZE	2mm²		14AWG			
	WEIGHT	0.650 Kg					
NOTE	1. All parameters are measured at rated input, rated load and 25°C of ambient temperature.						
	2. Specifications may vary from time to time without notice.						
	3. Tolerance: includes set up tolerance, line regulation and load regulation.						
	4. Subject to standard warranty, terms and conditions as published from time to time.						

LED 150 DC 12V EMS (EU) LED 150 DC 12V UM (USA)
 LED 150 DC 24V EMS (EU) LED 150 DC 24V UM (USA)

Mechanical Drawing



Mounting Instructions



Safety Instructions

1. Always disconnect power before installation and/or removal of the unit.
2. Install in accordance with national and local electrical codes.