

LET-210-24V/240V R

SPECIFICATIONS

Standards/Approvals

VDE and VDE-EMV approval
Transformer meets CE standards

Available Version

901211240-24-Standard Version

Mechanical and Thermal

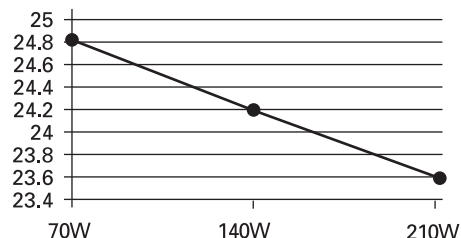
Dimensions (mm) 29.5 x 60.8 x 123
Center mounting hole is 10mm
Weight 450 grams
Lead wire length 20cm
Tc Max 85°C
Ta Max 50°C
Input wire – Blue, Brown
FEP/FEP 0.75mm² 300/500V 180°C
Output wire – 3.2mm² 300V 200°C
PC plastic casing
Removable mounting ears



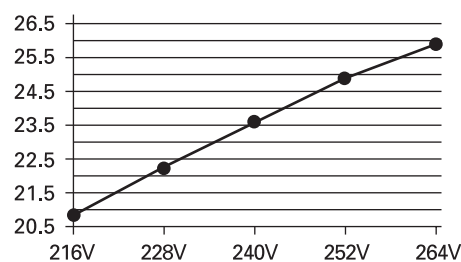
Electrical

Maximum load 210W
Minimum load with dimmer 70W
Input 240V 50/60Hz
True RMS Output voltage at Max. load 23.6V 36kHz
Input current at Max. load 0.9A
True RMS Output current at Max. load 8.8A
Power factor Min. 0.98
Dimmability Leading/Trailing Edge
EMC (RFI) EN 55015
Harmonics EN 61000-3-2
Flicker EN 61000-3-3
Immunity EN 61547
Safety EN 61347-1/ 61347-2-2/ EN 61047 SELV

Output Voltage vs. Load at 240V

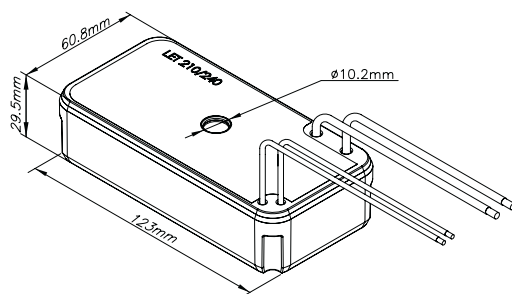


Output vs. Input at Max. Load



Short Circuit and Thermal Protection

Electronic internal universal resettable short circuit protection. Auto-Reset thermal cut-off @ 125C.



See reverse side for more information →

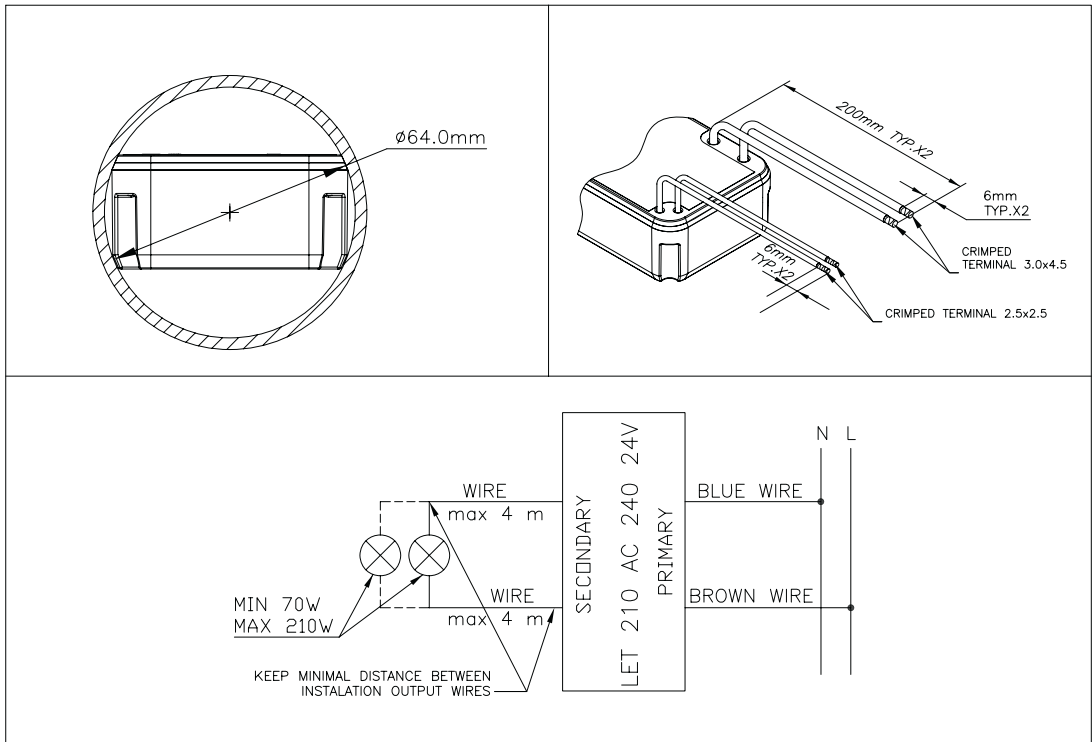


WWW.LIGHTTECHINC.COM

www.lighttechinc.com

LET-210-24V/240V R

Mounting Instructions



Safety Instructions:

1. Please note national installation regulations.
2. Wires for installation:
Primary – according to national installation regulations for current 0.9A,
Secondary – 2.0mm^2 minimum.