

LET 75 12V/240V R LB Lite Beetle

SPECIFICATIONS

Standards

VDE and VDE-EMV approved
Transformer meets CE standards
RoHS compliant

Available Version

901075240LB-Standard Version

Mechanical and Thermal

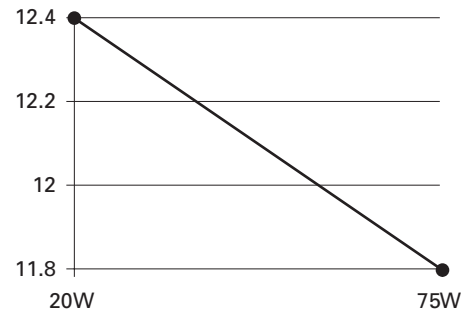
Dimensions (mm) 30 x 51 x 113.5
Weight 120 grams
Tc Max 80°C
Ta Max 50°C
PC plastic casing
Removable mounting ears



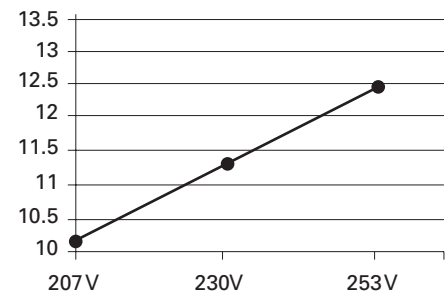
Electrical

Maximum load	75W
Minimum load with dimmer	20W
Input	216-264V 50/60Hz
Output at Max. load	11.8V 34kHz
Input current at Max. load	0.35A
Output current at Max. load	6.25A
Power factor Min.	0.98
Dimmable	
EMC (RFI)	EN 55015
Harmonics	EN 61000-3-2
Electrostatic Discharge	IEC61000-4-2
EMC Immunity	IEC61000-4-3
Burst	IEC61000-4-4
Surge	IEC61000-4-5
Injected RF	IEC61000-4-6
Mains interruption	IEC61000-4-11
Immunity	EN 61547/61047
Safety	EN 61347
SELV	

Output Voltage vs. Load at 240V

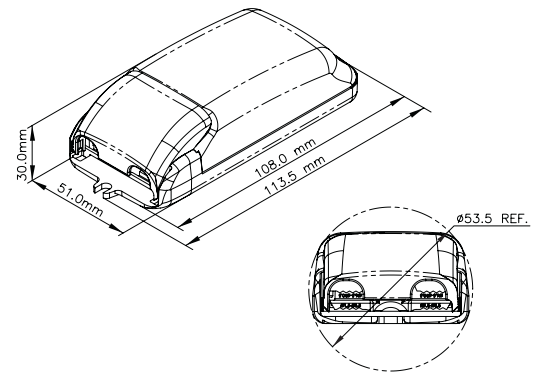


Output vs. Input at Max. Load



Short Circuit and Thermal Protection

Electronic internal resettable short circuit protection. Auto-Reset thermal cut-off @ 100C.



See reverse side for more information →



WWW.LIGHTTECHINC.COM

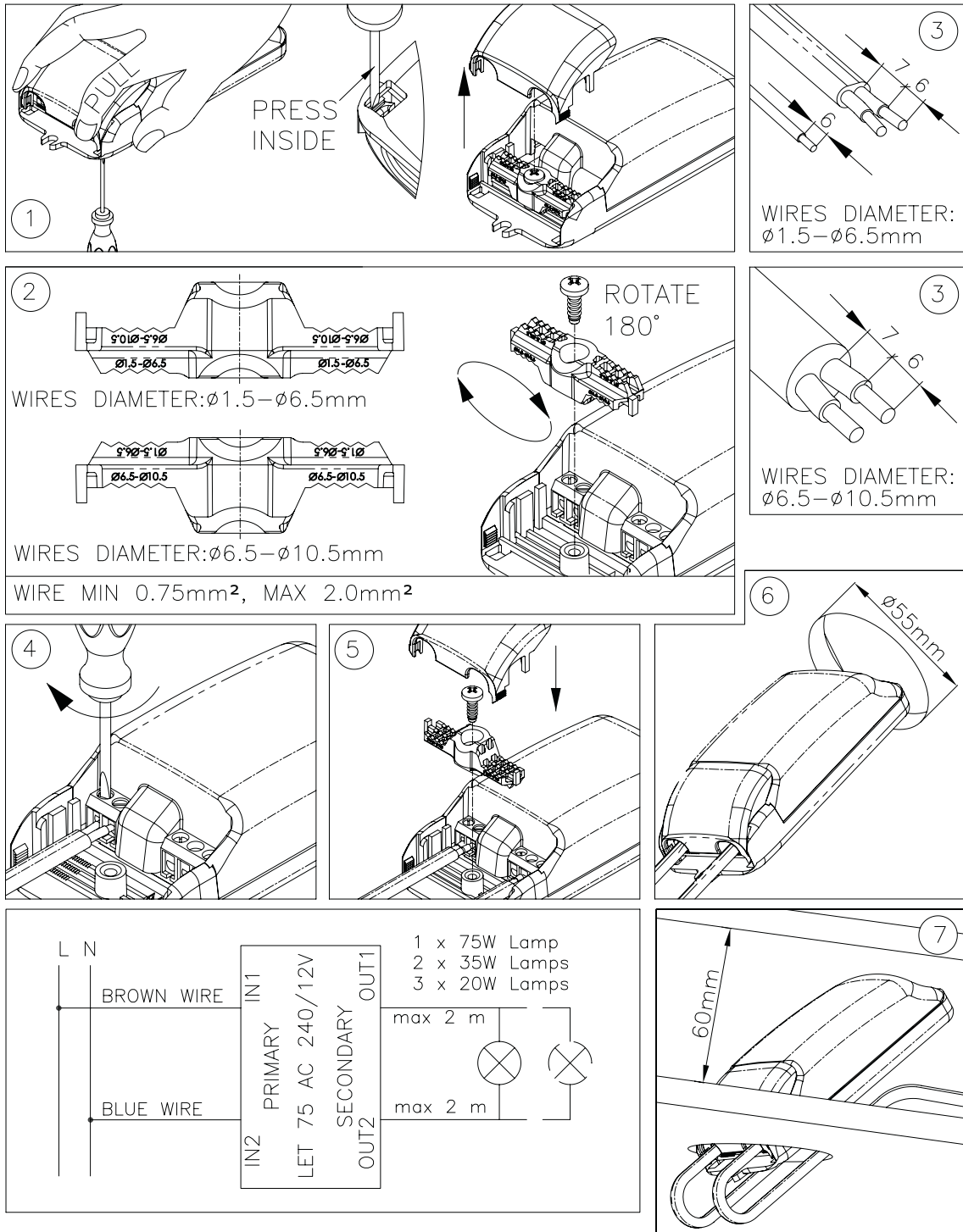
www.lighttechinc.com

LET 75 12V/240V R LB

Lite Beetle

Mounting Instructions

Electronic safety isolating transformer for wires $\phi 1.5\text{--}\phi 10.5\text{mm}$



Safety Instructions:

1. Please note national installation regulations.
2. The measurement of output voltage can only be done with suitable measuring instruments.