

SMD Choke Coils

Series: **U**
 Type: **ELL3FU**



Type ELL3FU

■ Features

- A high performance is achieved by improvement of winding space factor by the rectangular wire and the original winding industrial method
 High performance was actualized by the application of flat wire winding and ring coreless structure
- The magnetic shield effect is provided by adhesive with magnetic materials structure
- Low profile

RoHS compliant

■ Recommended Applications

- Choke coil for smoothness of DC/DC of mobile device
- Mobile Phone, DSC, HDD, MID, Net-Book

■ Standard Packing Quantity

- 2000 pcs./Reel

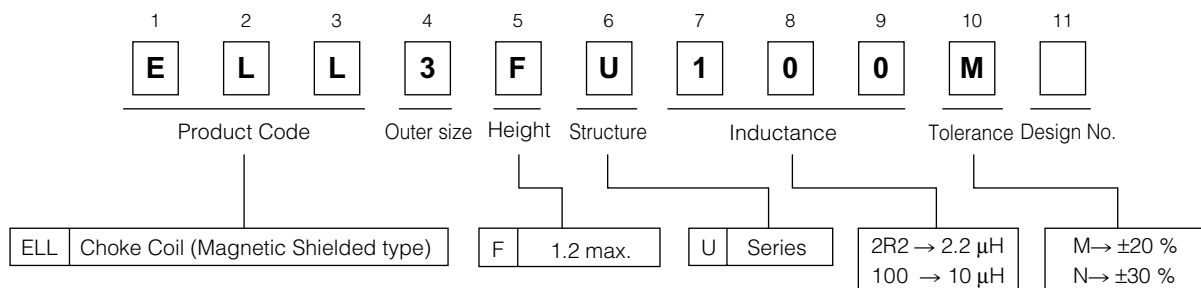
■ Soldering Conditions

Please see Page 169

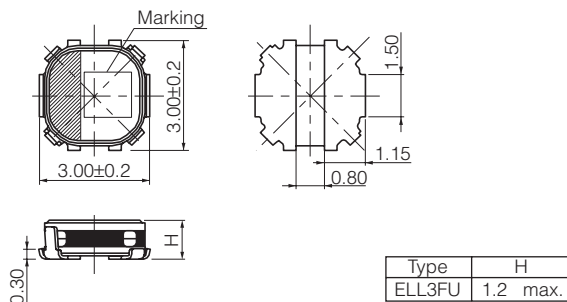
■ Safety Precautions

Please see Page 170

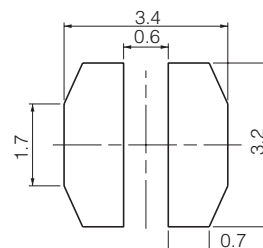
■ Explanation of Part Numbers



■ Dimensions in mm (not to scale)



■ Recommended land patterns in mm (not to scale)



Standard Parts

Part Number	Inductance (100 kHz)		R _{DC} (at 20 °C)		Saturation Rated Current* ¹ (mA max.)	Temperature Rise Current* ² (mA max.)	Marking
	(μH)	Tol.	(mΩ)	Tol.			
ELL3FU1R0N	1.0	±30 %	53	±20 %	2300	1900	A
ELL3FU1R5N	1.5		66		C		
ELL3FU2R2N	2.2		76		D		
ELL3FU2R2NB	2.2		120		d		
ELL3FU3R3N	3.3		140		E		
ELL3FU4R7N	4.7	±20 %	160		1000	1000	H
ELL3FU100M	10.0		300		M		

*1 Saturation Rated Current: This DC current which causes a 30% inductance reduction from its nominal value.

*2 Temperature Rise Current : This indicates the value of current when temperature rise dt/t= 40 °C (at 20 °C).

Embossed Carrier Tape Dimensions in mm (not to scale)

