

Metallized Polyester (PET) SMD Film Capacitors with Box Encapsulation

Special Features

- Size codes 1812, 2220, 2824, 4030, 5040 and 6054 with PET and encapsulated
- Operating temperature up to 100° C
- Self-healing
- According to RoHS 2002/95/EC

Typical Applications

For general DC-applications e.g.

- By-pass
- Blocking
- Coupling and decoupling
- Timing

Construction

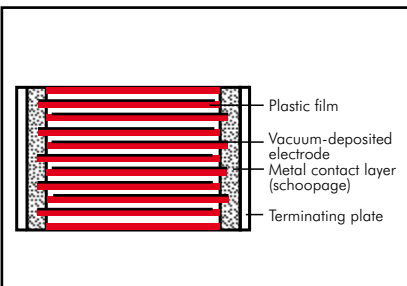
Dielectric:

Polyethylene-terephthalate (PET) film

Capacitor electrodes:

Vacuum-deposited

Internal construction:



Encapsulation:

Solvent-resistant, flame-retardant plastic case, UL 94 V-0

Terminations:

Tinned plates.

Marking:

Box colour: Black.

Electrical Data

Capacitance range:

0.01 µF to 6.8 µF

Rated voltages:

63 VDC, 100 VDC, 250 VDC, 400 VDC, 630 VDC, 1000 VDC

Capacitance tolerances:

±20%, ±10% (±5% available subject to special enquiry)

Operating temperature range:

-55° C to +100° C

Climatic test category:

55/100/21 according to IEC

for size codes 1812 to 2824

55/100/56 according to IEC

for size codes 4030 to 6054

Insulation resistance at +20° C:

U_r	U_{test}	$C \leq 0.33 \mu F$	$0.33 \mu F < C \leq 6.8 \mu F$
63 VDC	50 V	$\geq 3.75 \times 10^3 M\Omega$ (mean value: $1 \times 10^4 M\Omega$)	$\geq 1250 \text{ sec} (M\Omega \times \mu F)$ (mean value: 3000 sec)
100 VDC	100 V		
$\geq 250 \text{ VDC}$	100 V	$\geq 1 \times 10^4 M\Omega$ (mean value: $5 \times 10^4 M\Omega$)	$\geq 3000 \text{ sec} (M\Omega \times \mu F)$ (mean value: 10000 sec)

Measuring time: 1 min.

Dissipation factors at +20° C: $\tan \delta$

at f	$C \leq 0.1 \mu F$	$0.1 \mu F < C \leq 1.0 \mu F$	$C > 1.0 \mu F$
1 kHz	$\leq 8 \times 10^{-3}$	$\leq 8 \times 10^{-3}$	$\leq 10 \times 10^{-3}$
10 kHz	$\leq 15 \times 10^{-3}$	$\leq 15 \times 10^{-3}$	-
100 kHz	$\leq 30 \times 10^{-3}$	-	-

Maximum pulse rise time: for pulses equal to the rated voltage

Capacitance µF	Pulse rise time V/µsec max. operation/test					
	63 VDC	100 VDC	250 VDC	400 VDC	630 VDC	1000 VDC
0.01 ... 0.022	30/300	35/350	40/400	35/350	40/400	50/500
0.033 ... 0.068	20/200	20/200	40/400	21/210	25/250	32/320
0.1 ... 0.22	10/100	10/100	12/120	14/140	17/170	-
0.33 ... 0.68	8/80	6/60	9/90	10/100	-	-
1.0 ... 2.2	3.5/35	4/40	7/70	-	-	-
3.3 ... 6.8	3/30	3/30	-	-	-	-

Dip Solder Test/Processing

Resistance to soldering heat:

Test Tb in accordance with DIN IEC

60068-2-58/DIN EN 60384-19.

Soldering bath temperature max. 260° C.

Soldering duration max. 5 sec.

Change in capacitance $\Delta C/C < 5\%$.

Soldering process:

Wave soldering and re-flow soldering

(see temperature/time graphs page 12).

Packing

Available taped and reeled in 12 mm blister pack.

Detailed taping information and graphs at the end of the catalogue.

For further details and graphs please refer to Technical Information.

Continuation

General Data

Capacitance	63 VDC/40 VAC*			100 VDC/63 VAC*			250 VDC/160 VAC*		
	Size code	H ± 0.3	Part number	Size code	H ± 0.3	Part number	Size code	H ± 0.3	Part number
0.01 µF	1812	3.0	SMDTC02100X100_____	1812	3.0	SMDTD02100X100_____	1812	4.0	SMDTF02100X200_____
	2220	3.5	SMDTC02100Y100_____	2220	3.5	SMDTD02100Y100_____	2220	3.5	SMDTF02100Y100_____
	2824	3.0	SMDTC02100T100_____	2824	3.0	SMDTD02100T100_____	2824	3.0	SMDTF02100T100_____
0.015 "	1812	3.0	SMDTC02150X100_____	1812	3.0	SMDTD02150X100_____	1812	4.0	SMDTF02150X200_____
	2220	3.5	SMDTC02150Y100_____	2220	3.5	SMDTD02150Y100_____	2220	3.5	SMDTF02150Y100_____
	2824	3.0	SMDTC02150T100_____	2824	3.0	SMDTD02150T100_____	2824	3.0	SMDTF02150T100_____
0.022 "	1812	3.0	SMDTC02220X100_____	1812	3.0	SMDTD02220X100_____	1812	4.0	SMDTF02220X200_____
	2220	3.5	SMDTC02220Y100_____	2220	3.5	SMDTD02220Y100_____	2220	3.5	SMDTF02220Y100_____
	2824	3.0	SMDTC02220T100_____	2824	3.0	SMDTD02220T100_____	2824	3.0	SMDTF02220T100_____
0.033 "	1812	3.0	SMDTC02330X100_____	1812	3.0	SMDTD02330X100_____	2220	3.5	SMDTF02330Y100_____
	2220	3.5	SMDTC02330Y100_____	2220	3.5	SMDTD02330Y100_____	2824	3.0	SMDTF02330T100_____
	2824	3.0	SMDTC02330T100_____	2824	3.0	SMDTD02330T100_____	4030	5.0	SMDTF02330K100_____
0.047 "	1812	3.0	SMDTC02470X100_____	1812	3.0	SMDTD02470X100_____	2220	3.5	SMDTF02470Y100_____
	2220	3.5	SMDTC02470Y100_____	2220	3.5	SMDTD02470Y100_____	2824	3.0	SMDTF02470T100_____
	2824	3.0	SMDTC02470T100_____	2824	3.0	SMDTD02470T100_____	4030	5.0	SMDTF02470K100_____
0.068 "	1812	3.0	SMDTC02680X100_____	1812	3.0	SMDTD02680X100_____	2220	3.5	SMDTF02680Y100_____
	2220	3.5	SMDTC02680Y100_____	2220	3.5	SMDTD02680Y100_____	2824	3.0	SMDTF02680T100_____
	2824	3.0	SMDTC02680T100_____	2824	3.0	SMDTD02680T100_____	4030	5.0	SMDTF02680K100_____
0.1 µF	1812	3.0	SMDTC03100X100_____	1812	3.0	SMDTD03100X100_____	2220	3.5	SMDTF03100Y100_____
	2220	3.5	SMDTC03100Y100_____	2220	3.5	SMDTD03100Y100_____	2824	5.0	SMDTF03100T200_____
	2824	3.0	SMDTC03100T100_____	2824	3.0	SMDTD03100T100_____	4030	5.0	SMDTF03100K100_____
0.15 "	1812	3.0	SMDTC03150X100_____	1812	4.0	SMDTD03150X200_____	2220	4.5	SMDTF03150Y200_____
	2220	3.5	SMDTC03150Y100_____	2220	3.5	SMDTD03150Y100_____	2824	5.0	SMDTF03150T200_____
	2824	3.0	SMDTC03150T100_____	2824	3.0	SMDTD03150T100_____	4030	5.0	SMDTF03150K100_____
0.22 "	1812	3.0	SMDTC03220X100_____	1812	4.0	SMDTD03220X200_____	2220	4.5	SMDTF03220Y200_____
	2220	3.5	SMDTC03220Y100_____	2220	3.5	SMDTD03220Y100_____	2824	5.0	SMDTF03220T200_____
	2824	3.0	SMDTC03220T100_____	2824	3.0	SMDTD03220T100_____	4030	5.0	SMDTF03220K100_____
0.33 "	1812	4.0	SMDTC03330X200_____	2220	4.5	SMDTD03330Y200_____	2824	5.0	SMDTF03330T200_____
	2220	3.5	SMDTC03330Y100_____	2824	5.0	SMDTD03330T200_____	4030	5.0	SMDTF03330K100_____
	2824	3.0	SMDTC03330T100_____	4030	5.0	SMDTD03330K100_____	5040	6.0	SMDTF03330V100_____
0.47 "	1812	4.0	SMDTC03470X200_____	2220	4.5	SMDTD03470Y200_____	4030	5.0	SMDTF03470K100_____
	2220	3.5	SMDTC03470Y100_____	2824	5.0	SMDTD03470T200_____	5040	6.0	SMDTF03470V100_____
	2824	3.0	SMDTC03470T100_____	4030	5.0	SMDTD03470K100_____			
0.68 "	2220	4.5	SMDTC03680Y200_____	2824	5.0	SMDTD03680T200_____	5040	6.0	SMDTF03680V100_____
	2824	3.0	SMDTC03680T100_____	4030	5.0	SMDTD03680K100_____			
	4030	5.0	SMDTC03680K100_____	5040	6.0	SMDTD03680V100_____			
1.0 µF	2220	4.5	SMDTC04100Y200_____	2824	5.0	SMDTD04100T200_____	6054	7.0	SMDTF04100Q100_____
	2824	3.0	SMDTC04100T100_____	4030	5.0	SMDTD04100K100_____			
	4030	5.0	SMDTC04100K100_____	5040	6.0	SMDTD04100V100_____			
1.5 "	2824	5.0	SMDTC04150T200_____	4030	5.0	SMDTD04150K100_____			
	4030	5.0	SMDTC04150K100_____	5040	6.0	SMDTD04150V100_____			
2.2 "	2824	5.0	SMDTC04220T200_____	5040	6.0	SMDTD04220V100_____			
	4030	5.0	SMDTC04220K100_____						
3.3 "	4030	5.0	SMDTC04330K100_____	5040	6.0	SMDTD04330V100_____			
4.7 "	5040	6.0	SMDTC04470V100_____	6054	7.0	SMDTD04470Q100_____			
6.8 "	6054	7.0	SMDTC04680Q100_____						

Part number completion:
Tolerance: 20 % = M
 10 % = K
 5 % = J
Packing: bulk = S
Lead length: none = 00
Taped version see page 126.

* AC voltage: $f = 50 \text{ Hz}; 1.4 \times U_{\text{rms}} + U_{\text{DC}} \leq U_r$

Dims. in mm.

Rights reserved to amend design data without prior notification.

Continuation

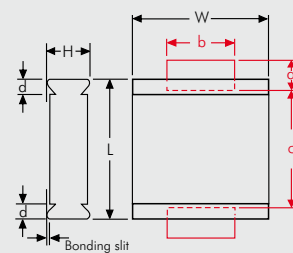
General Data

Capacitance	400 VDC/200 VAC*			630 VDC/300 VAC*			1000 VDC/400 VAC*		
	Size code	H ± 0.3	Part number	Size code	H ± 0.3	Part number	Size code	H ± 0.3	Part number
0.01 μ F	2824 4030	3.0 5.0	SMDTG02100T100_____ SMDTG02100K100_____ SMDTG02100V100_____	4030	5.0	SMDTJ02100K100_____ SMDTJ02100V100_____			
0.015 "	2824 4030	3.0 5.0	SMDTG02150T100_____ SMDTG02150K100_____ SMDTG02150V100_____	4030	5.0	SMDTJ02150K100_____ SMDTJ02150V100_____	5040	6.0	SMDTO12150V100_____ SMDTO12150Q100_____
0.022 "	2824 4030	3.0 5.0	SMDTG02220T100_____ SMDTG02220K100_____ SMDTG02220V100_____	5040	6.0	SMDTJ02220V100_____ SMDTJ02220Q100_____	5040	6.0	SMDTO12220V100_____ SMDTO12220Q100_____
0.033 "	2824 4030	5.0 5.0	SMDTG02330T200_____ SMDTG02330K100_____ SMDTG02330V100_____	5040	6.0	SMDTJ02330V100_____ SMDTJ02330Q100_____	5040	6.0	SMDTO12330V100_____ SMDTO12330Q100_____
0.047 "	2824 4030	5.0 5.0	SMDTG02470T200_____ SMDTG02470K100_____ SMDTG02470V100_____	5040	6.0	SMDTJ02470V100_____ SMDTJ02470Q100_____	6054	7.0	SMDTO12470Q100_____ SMDTO12470V100_____
0.068 "	4030 5040	5.0 6.0	SMDTG02680K100_____ SMDTG02680V100_____ SMDTG02680Q100_____	5040	6.0	SMDTJ02680V100_____ SMDTJ02680Q100_____			
0.1 μ F	4030 5040	5.0 6.0	SMDTG03100K100_____ SMDTG03100V100_____ SMDTG03100Q100_____	6054	7.0	SMDTJ03100Q100_____ SMDTJ03100V100_____			
0.15 "	4030 5040	5.0 6.0	SMDTG03150K100_____ SMDTG03150V100_____ SMDTG03150Q100_____	6054	7.0	SMDTJ03150Q100_____ SMDTJ03150V100_____			
0.22 "	5040	6.0	SMDTG03220V100_____ SMDTG03220Q100_____	6054	7.0	SMDTJ03220Q100_____ SMDTJ03220V100_____			
0.33 "	5040	6.0	SMDTG03330V100_____ SMDTG03330Q100_____						
0.47 "	6054	7.0	SMDTG03470Q100_____ SMDTG03470V100_____						

* AC voltage: $f = 50 \text{ Hz}$; $1.4 \times U_{\text{rms}} + U_{\text{DC}} \leq U_r$

Dims. in mm.

Solder pad recommendation



Part number completion:

Tolerance: 20 % = M

10 % = K

5 % = J

Packing: bulk = S

Lead length: none = 00

Taped version see page 126.

The values of the WIMA SMD-PEN range according to the main catalogue 2009 are still available on request.

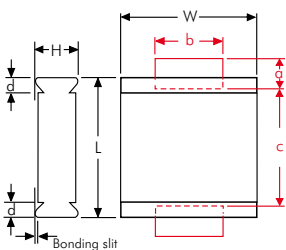
Size code	L ±0.3	W ±0.3	d	a min.	b min.	c max.
1812	4.8	3.3	0.5	1.2	3.5	3.5
2220	5.7	5.1	0.5	1.2	4	4.5
2824	7.2	6.1	0.5	1.2	4	6.5
4030	10.2	7.6	0.5	2.5	6	9
5040	12.7	10.2	0.7	2.5	6	11.5
6054	15.3	13.7	0.7	2.5	6	14

Recommendation for Processing and Application of SMD Capacitors

Layout Form

The components can generally be positioned on the carrier material as desired. In order to prevent soldering shadows or ensure regular temperature distribution, extreme concentration of the components should be avoided. In practice, it has proven best to keep a minimum distance of the soldering surfaces between two WIMA SMDs of twice the height of the components.

Solder Pad Recommendation



Size code	L ± 0.3	W ± 0.3	d	a min.	b min.	c max.
1812	4.8	3.3	0.5	1.2	3.5	3.5
2220	5.7	5.1	0.5	1.2	4	4.5
2824	7.2	6.1	0.5	1.2	4	6.5
4030	10.2	7.6	0.5	2.5	6	9
5040	12.7	10.2	0.7	2.5	6	11.5
6054	15.3	13.7	0.7	2.5	6	14

The solder pad size recommendations given for each individual series are to be understood as minimum dimensions which can at any time be adjusted to the layout form.

Processing

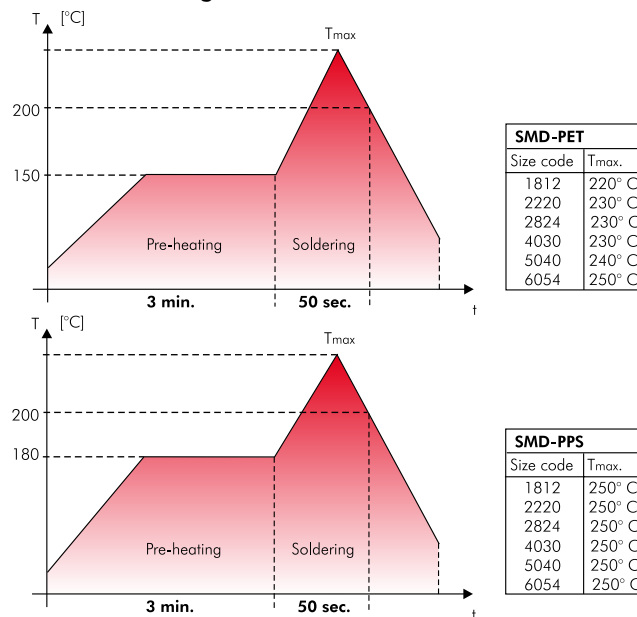
The processing of SMD components

- assembling
- soldering
- washing
- electrical final inspection/ calibrating

must be regarded as a complete process. The soldering of the printed circuit board, for example, can constitute considerable stress on all the electronic components. The manufacturer's instructions on the processing of the components are mandatory.

Soldering Process

Re-flow soldering



Temperature/time graph for the permissible processing temperature of the WIMA SMD film capacitor for typical convection soldering processes.

Due to the diverse procedures and the varying heat requirements of the different types of components, an exact processing temperature for re-flow soldering processes cannot be specified. The graph shows the upper limits of temperature and time which

must not be exceeded when establishing the solder profile according to your actual requirements.

A max. temperature of $T = 210^{\circ}\text{C}$ inside the component should not be exceeded when processing WIMA SMD capacitors.

SMD Handsoldering

WIMA SMD capacitors with plastic film dielectric are generally suitable for hand-soldering with a soldering iron where, however, similar to automated soldering processes, a certain duration and temperature should not be exceeded. These parameters are dependent on the physical size of the components and the relevant heat absorption involved.

The below data are to be regarded as guideline values and should serve to avoid damage to the dielectric caused by excessive heat during the soldering process. The soldering quality depends on the tool used and on the skill and experience of the person with the soldering iron in hand.

Size code	Temperature °C / °F	Time duration
1812	225 / 437	2 sec plate 1 / 5 sec off / 2 sec plate 2
2220	225 / 437	3 sec plate 1 / 5 sec off / 3 sec plate 2
2824	250 / 482	3 sec plate 1 / 5 sec off / 3 sec plate 2
4030	260 / 500	5 sec plate 1 / 5 sec off / 5 sec plate 2
5040	260 / 500	5 sec plate 1 / 5 sec off / 5 sec plate 2
6054	260 / 500	5 sec plate 1 / 5 sec off / 5 sec plate 2

Recommendation for Processing and Application of SMD Capacitors (Continuation)

Solder Paste

To obtain the best soldering performance we suggest the use of following solder paste alloy:

Lead free solder paste

Sn - Bi
Sn - Zn (Bi)
Sn - Ag - Cu

Solder paste with lead

Sn - Pb - Ag (Sn60-Pb40-A, Sn63-Pb37-A)

Washing

Basically, all plastic encapsulated components, irrespective of the brand cannot be considered as being hermetically sealed. They are therefore only suitable for industrial washing processes to a limited extent. During the washing process, washing agents can penetrate the interior of the component by capillary action through microcracks which might have occurred. This is dependent on a number of parameters e.g.

- washing agents
- viscosity of the washing solvent
- temperature/time of the washing process
- mechanical washing aids such as ultrasonic water pressure rinsing and spraying pressure

The type of washing agent to be used is largely specific to the individual user or is often laid down by the manufacturer of the washing equipment. The aggressiveness of the washing agent to be used can thus only be judged in appropriate test series relating to each individual washing process. By and large, the basic rule is that the washing process should be carried out as gently as possible.

Drying

During the washing process, aqueous solutions can penetrate the component. This can lead to changes of the electrical parameters. Suitable drying measures should ensure that no residual moisture or traces of washing substances are left in the component.

Initial Operation/Calibration

Due to the stress which the components are subjected to during processing, reversible parameter changes occur in almost all electronic components. The capacitance recovery accuracy to be expected with careful processing is within a scope of $|\Delta C/C| \leq 5\%$.

For the initial operation of the device a minimum storage time of $t \geq 24$ hours

is to be taken into account. With calibrated devices or when the application is largely dependent on capacitance it is advisable to prolong the storage time to $t \geq 10$ days

In this way ageing effects of the capacitor structure can be anticipated. Parameter changes due to processing are not to be expected after this period of time

Humidity Protection Bags

Taped WIMA SMD capacitors are shipped in humidity protection bags according to JEDEC standard, level 1 (EMI/static-shielding bags conforming to MIL-B 81705, Type 1, Class 1). Under controlled conditions the components can be stored two years and more in the originally sealed bag. Opened packing units should be consumed instantly or resealed for specific storage under controlled conditions.

Reliability

Taking account of the manufacturer's guidelines and compatible processing, the WIMA SMD stand out for the same high quality and reliability as the analogous through-hole WIMA series. The technology of metallized film capacitors used e.g. in WIMA SMD-PET achieves the best values for all fields of application. The expected value is about:

$$\lambda_0 \leq 2 \text{ fit}$$

Furthermore the production of all WIMA components is subject to the regulations laid down by ISO 9001:2000 as well as

the guidelines for component specifications set out by IEC quality assessment system (IECQ-CECC) for electronic components.

Electrical Characteristics and Fields of Application

Basically the WIMA SMD series have the same electrical characteristics as the analogous through-hole WIMA capacitors. Compared to ceramic or tantalum dielectrics WIMA SMD capacitors have a number of other outstanding qualities :

- favourable pulse rise time
- low ESR
- low dielectric absorption
- available in high voltage series
- large capacitance spectrum
- stand up to high mechanical stress
- good long-term stability

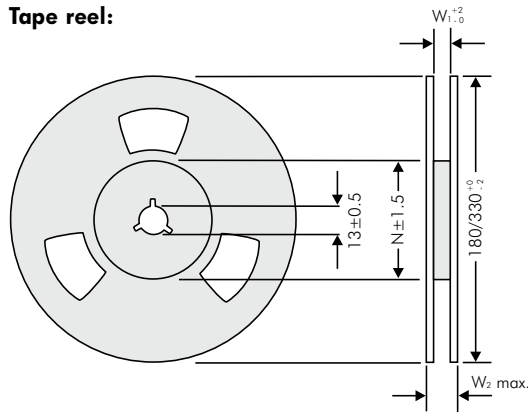
As regards technical performance as well as quality and reliability, the WIMA SMD series offer the possibility to cover nearly all applications of conventionally through-hole film capacitors with SMD components. Furthermore, the WIMA SMD series can now be used for all the demanding capacitor applications for which, in the past, the use of through-hole components was mandatory:

- measuring techniques
- oscillator circuits
- differentiating and integrating circuits
- A/D or D/A transformers
- sample and hold circuits
- automotive electronics

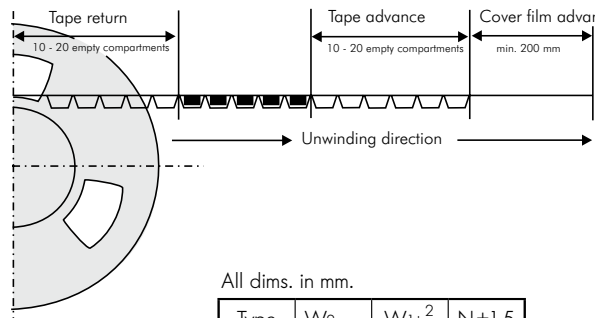
With the WIMA SMD programme available today, the major part of all plastic film capacitors can be replaced by WIMA SMD components. The field of application ranges from standard coupling capacitors to use in switch-mode power supplies as filter or charging capacitors with high voltage and capacitance values, as well as in telecommunications e.g. the well-known telephone capacitor $1\mu\text{F}/250\text{VDC}$.

Blister Tape Packaging and Packing Units of the WIMA SMD Capacitors

Tape reel:

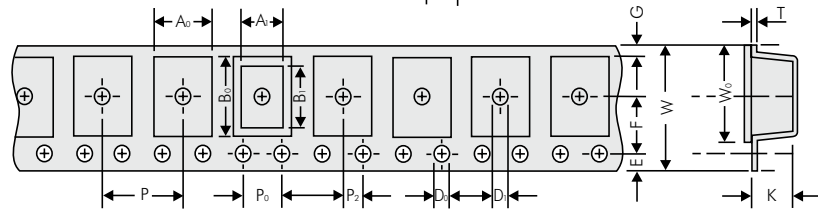


Tape advance and return:



All dims. in mm.

Type	W _{2max}	W _{1±0.2}	N±1.5
1812	19	12.4	62
2220	19	12.4	62
2824	19	12.4	62
4030	22.4	16.4	60
5040	30.4	24.4	90
6054	30.4	24.4	90



Packing units

Size Code 1812		A ₀ ±0.1	A ₁	B ₀ ±0.1	B ₁	D ₀ +0.1 -0	D ₁ +0.1 -0	P ±0.1	P ₀ * ±0.1	P ₂ ±0.05	E ±0.1	F ±0.05	G	W ±0.3	W ₀ ±0.2	K ±0.1	T ±0.1
Box size	Code																
4.8x3.3x3	X1	3.55	3.3	5.1	4.8	∅1.5	∅1.5	8	4	2	1.75	5.5	2.2	12	9.5	3.4	0.3
4.8x3.3x4	X2	3.55	3.3	5.1	4.8	∅1.5	∅1.5	8	4	2	1.75	5.5	2.2	12	9.5	4.4	0.3

taped Reel	taped Reel	bulk	
180 mm ∅	330 mm ∅	Mini	Standard
750	2500	1000	3000
500	2000	1000	3000

Size Code 2220		A ₀ ±0.1	A ₁	B ₀ ±0.1	B ₁	D ₀ +0.1 -0	D ₁ +0.1 -0	P ±0.1	P ₀ * ±0.1	P ₂ ±0.05	E ±0.1	F ±0.05	G	W ±0.3	W ₀ ±0.2	K ±0.1	T ±0.1
Box size	Code																
5.7x5.1x3.5	Y1	6.3	5.7	5.6	5.1	∅1.5	∅1.5	8	4	2	1.75	5.5	1.95	12	9.5	3.7	0.3
5.7x5.1x4.5	Y2	6.3	5.7	5.6	5.1	∅1.5	∅1.5	8	4	2	1.75	5.5	1.95	12	9.5	4.7	0.3

taped Reel	taped Reel	bulk	
180 mm ∅	330 mm ∅	Mini	Standard
500	1800	1000	3000
400	1500	1000	3000

Size Code 2824		A ₀ ±0.1	A ₁	B ₀ ±0.1	B ₁	D ₀ +0.1 -0	D ₁ +0.1 -0	P ±0.1	P ₀ * ±0.1	P ₂ ±0.05	E ±0.1	F ±0.05	G	W ±0.3	W ₀ ±0.2	K ±0.1	T ±0.1
Box size	Code																
7.2x6.1x3	T1	6.6	6.1	7.7	7.2	∅1.5	∅1.5	12	4	2	1.75	5.5	0.9	12	9.5	3.4	0.3
7.2x6.1x5	T2	6.6	6.1	7.7	7.2	∅1.5	∅1.5	12	4	2	1.75	5.5	0.9	12	9.5	5.4	0.4

taped Reel	bulk	
330 mm ∅	Mini	Standard
1500	500	2000
750	500	2000

Code	A ₀ ±0.1	A ₁	B ₀ ±0.1	B ₁	D ₀ +0.1 -0	D ₁ +0.1 -0	P ±0.1	P ₀ * ±0.1	P ₂ ±0.05	E ±0.1	F ±0.05	G	W ±0.3	W ₀ ±0.2	K ±0.1	T ±0.1	
Size Code 4030	K1	10.7	10.2	9.7	9.1	∅1.5	∅1.5	16	4	2	1.75	7.5	1.9	16	13.3	5.9	0.3
Size Code 5040	V1	13.2	12.7	12.1	11.5	∅1.5	∅1.5	16	4	2	1.75	11.5	4.7	24	21.3	7.0	0.3
Size Code 6054	Q1	17.0	16.5	15.6	15.0	∅1.5	∅1.5	20	4	2	1.75	11.5	2.95	24	21.3	7.5	0.3

taped Reel	bulk	
330 mm ∅	Mini	Standard
775	500	2000
600	200	1000
450	100	500

* cumulative after 10 steps ± 0.2 mm max.
Samples and pre-production needs on request or 1 Reel minimum.

Part number codes for SMD packing

W (Blister)	∅ in mm	Code
12	180	P
12	330	Q
16	330	R
24	330	T

Bulk Mini	M
Bulk Standard	S



A WIMA part number consists of 18 digits and is composed as follows:

- Field 1 - 4: Type description
- Field 5 - 6: Rated voltage
- Field 7 - 10: Capacitance
- Field 11 - 12: Size and PCM
- Field 13 - 14: Special features (e.g. Snubber versions)
- Field 15: Capacitance tolerance
- Field 16: Packing
- Field 17 - 18: Lead length (untaped)

1	2	3	4	5	6	7	8	9	10	11	12	13	14	15	16	17	18
M	K	S	2	C	0	2	1	0	0	1	A	0	0	M	S	S	D
MKS 2				63 VDC		0.01 µF			2.5x6.5x7.2		-		20%	bulk	6 -2		

<p>Type description:</p> <p>SMD-PET = SMDT SMD-PPS = SMDI FKP 02 = FKP0 MKS 02 = MKS0 FKS 2 = FKS2 FKP 2 = FKP2 MKS 2 = MKS2 MKS 2 = MKP2 FKS 3 = FKS3 FKP 3 = FKP3 MKS 4 = MKS4 MKP 4 = MKP4 MKP 10 = MKP1 FKP 4 = FKP4 FKP 1 = FKP1 MKP-X2 = MKX2 MKP-X2 R = MKXR MKP-Y2 = MKY2 MP 3-X2 = MPX2 MP 3-X1 = MPX1 MP 3-Y2 = MPY2 MP 3R-Y2 = MPRY Snubber MKP = SNMP Snubber FKP = SNFP GTO MKP = GTOM DC-LINK MKP 4 = DCP4 DC-LINK MKP C = DCPC DC-LINK HC = DCH_ SuperCap C = SCSC SuperCap MC = SMC SuperCap R = SCSR SuperCap MR = SCMR</p>	<p>Rated voltage:</p> <p>2.5 VDC = A1 4 VDC = A2 14 VDC = A3 28 VDC = A4 40 VDC = A5 5 VDC = A6 50 VDC = B0 63 VDC = C0 100 VDC = D0 160 VDC = E0 250 VDC = F0 400 VDC = G0 450 VDC = H0 600 VDC = I0 630 VDC = J0 700 VDC = K0 800 VDC = L0 850 VDC = M0 900 VDC = N0 1000 VDC = O1 1100 VDC = P0 1200 VDC = Q0 1250 VDC = R0 1500 VDC = S0 1600 VDC = T0 2000 VDC = U0 2500 VDC = V0 3000 VDC = W0 4000 VDC = X0 6000 VDC = Y0 250 VAC = 0W 275 VAC = 1W 300 VAC = 2W 400 VAC = 3W 440 VAC = 4W 500 VAC = 5W</p>	<p>Capacitance:</p> <p>22 pF = 0022 47 pF = 0047 100 pF = 0100 150 pF = 0150 220 pF = 0220 330 pF = 0330 470 pF = 0470 680 pF = 0680 1000 pF = 1100 1500 pF = 1150 2200 pF = 1220 3300 pF = 1330 4700 pF = 1470 6800 pF = 1680 0.01 µF = 2100 0.022 µF = 2220 0.047 µF = 2470 0.1 µF = 3100 0.22 µF = 3220 0.47 µF = 3470 1 µF = 4100 2.2 µF = 4220 4.7 µF = 4470 10 µF = 5100 22 µF = 5220 47 µF = 5470 100 µF = 6100 220 µF = 6220 1 F = A010 2.5 F = A025 50 F = A500 100 F = B100 110 F = B110 600 F = B600 1200 F = C120 ...</p>	<p>Size:</p> <p>4.8x3.3x3 Size 1812 = X1 4.8x3.3x4 Size 1812 = X2 5.7x5.1x3.5 Size 2220 = Y1 5.7x5.1x4.5 Size 2220 = Y2 7.2x6.1x3 Size 2824 = T1 7.2x6.1x5 Size 2824 = T2 10.2x7.6x5 Size 4030 = K1 12.7x10.2x6 Size 5040 = V1 15.3x13.7x7 Size 6054 = Q1 2.5x7x4.6 PCM 2.5 = 0B 3x7.5x4.6 PCM 2.5 = 0C 2.5x6.5x7.2 PCM 5 = 1A 3x7.5x7.2 PCM 5 = 1B 2.5x7x10 PCM 7.5 = 2A 3x8.5x10 PCM 7.5 = 2B 3x9x13 PCM 10 = 3A 4x9x13 PCM 10 = 3C 5x11x18 PCM 15 = 4B 6x12.5x18 PCM 15 = 4C 5x14x26.5 PCM 22.5 = 5A 6x15x26.5 PCM 22.5 = 5B 9x19x31.5 PCM 27.5 = 6A 11x21x31.5 PCM 27.5 = 6B 9x19x41.5 PCM 37.5 = 7A 11x22x41.5 PCM 37.5 = 7B 94x49x182 DCH_ = H0 94x77x182 DCH_ = H1 ...</p>	<p>Tolerance:</p> <p>20% = M 10% = K 5% = J 2.5% = H 1% = E ...</p> <p>Packing:</p> <p>AMMO H16.5 340x340 = A AMMO H16.5 490x370 = B AMMO H18.5 340x340 = C AMMO H18.5 490x370 = D REEL H16.5 360 = F REEL H16.5 500 = H REEL H18.5 360 = I REEL H18.5 500 = J ROLL H16.5 = N ROLL H18.5 = O BLISTER W12 180 = P BLISTER W12 330 = Q BLISTER W16 330 = R BLISTER W24 330 = T Bulk Mini = M Bulk Standard = S Bulk Maxi = G TPS Mini = X TPS Standard = Y ...</p>	
<p>Special features:</p> <p>Standard = 00 Version A1 = 1A Version A1.1.1 = 1B Version A1.2 = 1C ...</p>					<p>Lead length (untaped)</p> <p>3.5 ±0.5 = C9 6 -2 = SD 16 ±1 = P1 ...</p>

The data on this page is not complete and serves only to explain the part number system. Part number information is listed on the pages of the respective WIMA range.