

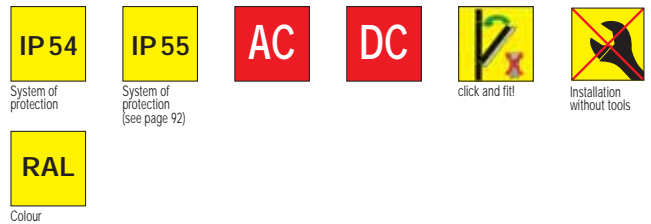
# Filterfan® PF 2.000



## PF 2.000

For a broad range of applications in electronics as well as conventional switchgear installations; a wide range of operating voltages ensures universal usability.

- with integrated foamed on seal



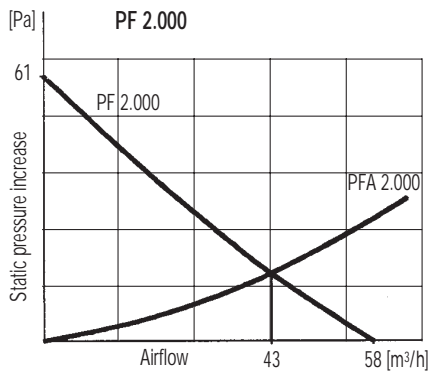
Airflow data:	PF 2.000
Filter material*	150 g/m <sup>2</sup>
Unimpeded airflow	58 m <sup>3</sup> /h; 50 Hz / 65 m <sup>3</sup> /h; 60 Hz
Capacity free-flow	19 W/K / 22 W/K
Airflow in combination (Filterfan® + Exhaust Filter)	43 m <sup>3</sup> /h; 50 Hz / 49 m <sup>3</sup> /h; 60 Hz (PF 2.000 + PFA 2.000)
Capacity in combination (Filterfan® + Exhaust Filter)	14 W/K / 16 W/K (PF 2.000 + PFA 2.000)
Max. static pressure (Airflow = 0 m <sup>3</sup> /h)	61 Pa
Filtration efficiency	73%
Filter material grade (DIN EN 779)	G 2
Noise level (DIN 45 635)	49 dB (A)
Duty cycle	100%

\* standard filter mat 150 g/m<sup>2</sup> (alternative filter mat in 350 g/m<sup>2</sup>, 500 g/m<sup>2</sup>)

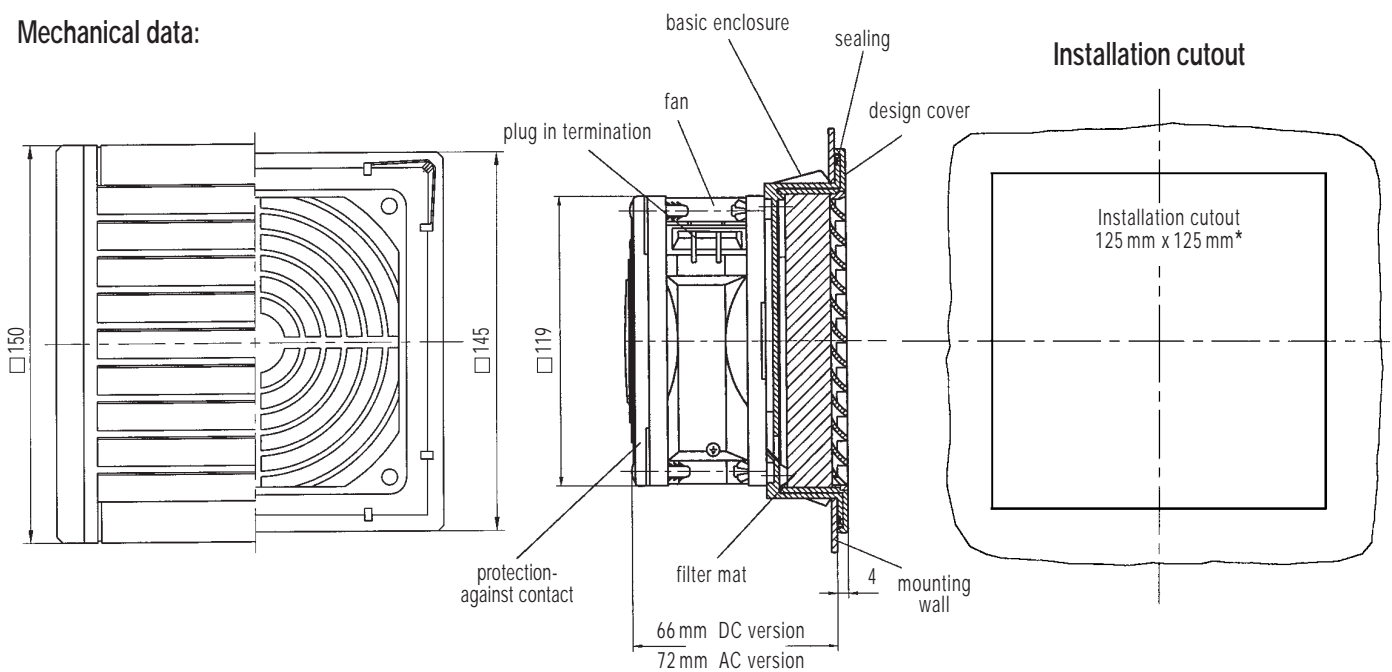
Technical data:	PF 2.000	
	AC	DC
Outside dimensions in mm (Height x Width x Installation depth)	150 x 150 x 72	150 x 150 x 66
Bearing type	sleeve bearings	ball bearings
Fitting position	horizontal - vertical	any
Construction	housing and guard of sprayed thermoplastic (ABS-FR) self-extinguishing, UL 94 VO	
Weight	0,735 kg	0,385 kg
Safety protection	in accordance with DIN 31 001	
Colour	RAL 7035, RAL 7032 or black, other colours on request	
Connections	terminal strip	2 wires, 310 mm long

Electrical data:	PF 2.000				
	AC 50 Hz/60 Hz		DC		
Rated voltage	230 V	115 V	12 V	24 V	48 V
Range of operation	187 V ... 253 V	97 V ... 127 V	6 V ... 14 V	18 V ... 30 V	36 V ... 56 V
Power consumption	19 W / 18 W	20 W	5 W	5 W	5 W

**Airflow data:**



**Mechanical data:**



Supplementary data:	AC	DC
<b>Climatic data</b>		
Operating temperature	-10 °C (+ 14 °F) to +55 °C (+ 131 °F)	-20 °C (- 4 °F) to +55 °C (+ 131 °F)
Storage temperature	-20 °C (- 4 °F) to +70 °C (+ 158 °F)	
Max. relative humidity	90%	
System of protection	IP54 (EN 60529), when installed as specified, not for outdoor-application	
Basic parts kit	standard filter, mounting- and user manual	
Accessories	radiant heater, fan heater, thermostat, see Thermal Management	
* Tolerance installation cutout	125 $\pm$ 1 thickness of material to 2 mm 126 $\pm$ 1 thickness of material > 2 mm ≤ 3 mm	
Approvals	UL approval see overview filter fans	