

# Filterfan® PF 5.000, PF 6.000, PF 7.000

The cutout for PF fans is compatible with the DTFI cooling unit (see page 24)



## PF 5.000

For larger switchgear installations with higher demands for heat extraction.

## PF 6.000 / PF 7.000

For large switchgear installations where extreme heat extraction is needed whilst maintaining the required I.P. protection rating.

- with integrated foamed on seal



System of protection



System of protection (see page 92)



click and fit!



Cutout-compatibility



Installation without tools



Colour

Airflow data:	PF 5.000	PF 6.000	PF 7.000
Filter material*	150 g/m <sup>2</sup>	150 g/m <sup>2</sup>	150 g/m <sup>2</sup>
Unimpeded airflow	478 m <sup>3</sup> /h; 50 Hz / 550 m <sup>3</sup> /h; 60 Hz	606 m <sup>3</sup> /h; 50 Hz / 647 m <sup>3</sup> /h; 60 Hz	755 m <sup>3</sup> /h; 50 Hz / 830 m <sup>3</sup> /h; 60 Hz
Capacity free-flow	159 W/K / 183 W/K	201 W/K / 215 W/K	245 W/K / 277 W/K
Airflow in combination (Filterfan® + Exhaust Filter)	368 m <sup>3</sup> /h; 50 Hz / 423 m <sup>3</sup> /h; 60 Hz (PF 5.000 + PFA 6.000)	437 m <sup>3</sup> /h; 50 Hz / 476 m <sup>3</sup> /h; 60 Hz (PF 6.000 + PFA 6.000)	545 m <sup>3</sup> /h; 50 Hz / 626 m <sup>3</sup> /h; 60 Hz (PF 7.000 + PFA 6.000)
Capacity in combination (Filterfan® + Exhaust Filter)	122 W/K / 141 W/K (PF 5.000 + PFA 6.000)	145 W/K / 155 W/K (PF 6.000 + PFA 6.000)	175 W/K / 202 W/K (PF 7.000 + PFA 6.000)
Max. static pressure (Airflow = 0 m <sup>3</sup> /h)	202 Pa	243 Pa	158 Pa
Filtration efficiency	73%		
Filter material grade (DIN EN 779)	G 2		
Noise level (DIN 45 635)	69 dB (A)	71 dB (A)	72 dB (A)
Duty cycle	100%		

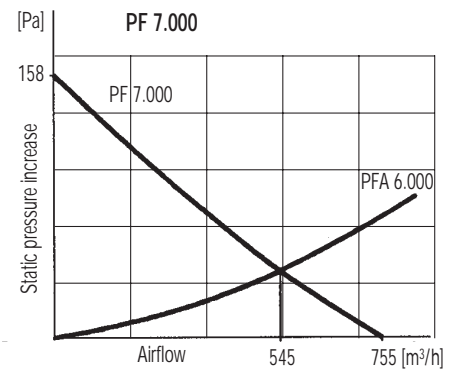
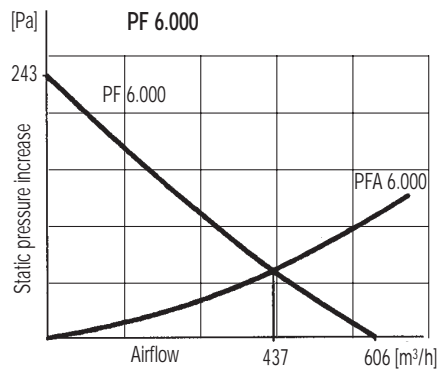
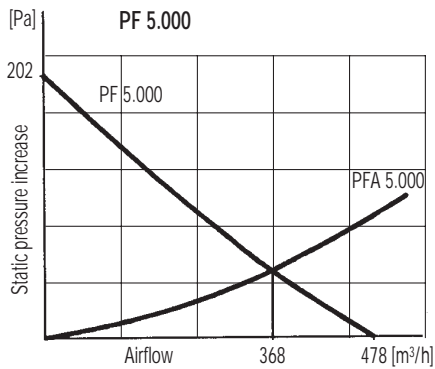
\* standard filter mat 150 g/m<sup>2</sup> (alternative filter mat in 350 g/m<sup>2</sup>, 500 g/m<sup>2</sup>)

Technical data:	PF 5.000	PF 6.000	PF 7.000
Outside dimensions in mm (Height x Width x Installation depth)	325 x 325 x 157	325 x 325 x 158	325 x 325 x 117
Bearing type	ball bearings		
Fitting position	any, horizontal airflow preferred		
Construction	housing and guard of sprayed thermoplastic (ABS-FR) self-extinguishing, UL 94 VO		
Weight	3,0 kg	3,5 kg	3,55 kg
Safety protection	in accordance with DIN 31 001		
Colour	RAL 7035, RAL 7032, other colours on request		
Connections	terminal strip		

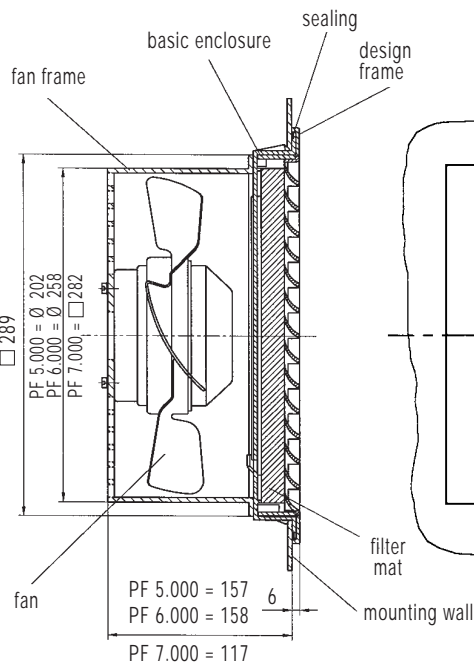
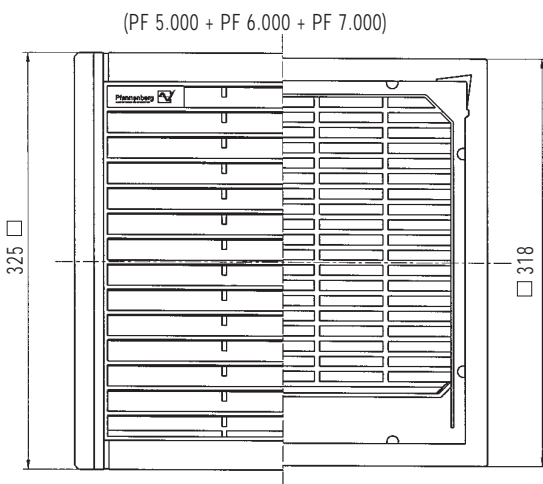
Electrical data:	AC 50Hz/60Hz								
	PF 5.000		PF 6.000			PF 7.000			
Rated voltage	230 V	115 V	400 V / 3 Phasen	230 V	115 V	230 V	115 V	400 V / 3 Phasen	
Range of operation	190 V ... 253 V	103 V ... 127 V	369 V ... 484 V	190 V ... 253 V	97 V ... 127 V	190 V ... 253 V	97 V ... 127 V	369 V ... 484 V	
Power consumption	74 W	82 W	110 W / 160 W	165 W	110 W / 155 W	127 W / 195 W	120 W / 165 W	106 W / 145 W	

We reserve the right to technical alterations. Subject to correction. 075000031

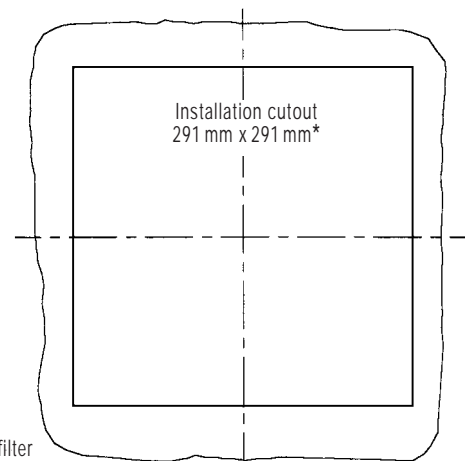
**Airflow data:**



**Mechanical data:**



**Installation cutout**



Supplementary data:	PF 5.000	PF 6.000	PF 7.000
<b>Climatic data</b>			
Operating temperature		-10 °C (+ 14 °F) to +55 °C (+ 131 °F)	
Storage temperature		-20 °C (- 4 °F) to +70 °C (+ 158 °F)	
Max. relative humidity		90%	
System of protection	IP 54 (EN 60 529), when installed as specified, not for outdoor-application		
Basic parts kit	standard filter, mounting- and user manual		
Accessories	radiant heater, fan heater, thermostat, see Thermal Management		
* Tolerance installation cutout	291 $\pm$ 1/0 thickness of material to 2 mm 292 $\pm$ 1/0 thickness of material > 2 mm ≤ 3 mm		
Approvals	UL approval see overview filter fans		