

## Datasheet - AZ 3350-12ZUEK

Safety switch with separate actuator / AZ 3350



- Metal enclosure
- Latching handle
- Long life
- 40,5 mm x 114 mm x 38 mm
- High level of contact reliability with low voltages and currents
- 1 Cable entry M 20 x 1.5

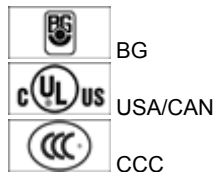
(Minor differences between the printed image and the original product may exist!)

### Ordering details

Product type description	AZ 3350-12ZUEK
Article number	1214053
EAN code	4030661397580
To order, first choose the desired safety switch and then the door handle system	

### Approval

Approval



### Classification

Standards	EN ISO 13849-1
B <sub>10d</sub> Normally-closed contact (NC)	2.000.000
B <sub>10d</sub> Normally open contact (NO)	1.000.000
- notice	at 10% I <sub>e</sub> and ohmic load
Mission time	20 Years

$$MTTF_d = \frac{B_{10d}}{0,1 \times n_{op}}$$

$$n_{op} = \frac{d_{op} \times h_{op} \times 3600 \text{ s/h}}{t_{zyklus}}$$

### Global Properties

---

Product name	AZ 3350
Standards	EN 60947-5-1, BG-GS-ET-15, EN 1088
Materials	
- Material of the housings	Aluminium
- Material of the contacts	Silver
Housing coating	painted
Weight	250 g
Recommended actuator	AZ 3350-B1, AZ 3350-B5, AZ 3350-B1R, AZ 3350-B5R, AZ 3350-B6, AZ 3350-B6H

## Mechanical data

---

Design of electrical connection	Screw connection
Cable section	
- Min. Cable section	0,75 mm <sup>2</sup>
- Max. Cable section	2.5 mm <sup>2</sup>
Mechanical life	1.000.000 operations
higher Latching force (Y/N)	No
Shearing force	15.000 N
Positive break force	5 N for each NC contact fitted
positive break travel	10.7 mm
Door hinge	left
notice	All indications about the cable section are including the conductor ferrules.

## Ambient conditions

---

Ambient temperature	
- Min. environmental temperature	- 30°C
- Max. environmental temperature	+ 90°C
Protection class	IP67 to IEC/EN 60529

## Electrical data

---

Design of control element	Normally open contact (NO), Opener (NC)
Switching principle	Slow action with overlapping contacts
Number of auxiliary contacts	1 piece
Number of safety contacts	2 piece
Rated impulse withstand voltage $U_{imp}$	4 kV
Rated insulation voltage $U_i$	250 V
Thermal test current $I_{the}$	10 A
Utilisation category	AC-15: 230 V / 4 A, DC-13: 24 V / 4 A
Max. fuse rating	6 A gG D-fuse

## ATEX

---

Explosion protection categories for gases	None
Explosion protected category for dusts	None

## Dimensions

---

Dimensions of the sensor	
- Width of sensor	40.5 mm
- Height of sensor	114 mm

- Length of sensor

38 mm

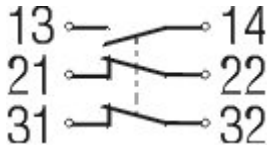
## Included in delivery

---




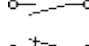

Mounting plate for safety switch  
Actuator incl. mounting plate  
emergency handle

## Diagram

---



Note Diagram

-  positive break NC contact
-  active
-  no active
-  Normally-open contact
-  Normally-closed contact

## Ordering suffix

---

The applicable ordering suffix is added at the end of the part number of the safety switch.  
Order example: AZ 3350-12ZUEK-**1637**

...-**1637**

0,3 µm gold-plated contacts

---

## Ordering code

---

AZ 3350-(1)-(2)-(3)

(1)

**03ZK** 3 Opener (NC)

**12ZUEK** 1 Normally open contact (NO) / 2 Opener (NC)

(2)

**1637** gold-plated contacts

(3)

**U90** Actuating head rotated by 90° for Door hinge left

**U270** Actuating head rotated by 270° for Door hinge right

## Documents

---

**Operating instructions and Declaration of conformity** (de) 475 kB, 18.02.2011

[http://127.0.0.1/Bilddata/AZ/Pdf/Az3350/bedien/de/mrl\\_az3350\\_de.pdf](http://127.0.0.1/Bilddata/AZ/Pdf/Az3350/bedien/de/mrl_az3350_de.pdf)

**Operating instructions and Declaration of conformity** (en, de) 1 MB, 08.09.2010

[http://127.0.0.1/Bilddata/AZ/Pdf/Az3350/bedien/de-en/mrl\\_az3350\\_de-en.pdf](http://127.0.0.1/Bilddata/AZ/Pdf/Az3350/bedien/de-en/mrl_az3350_de-en.pdf)

**Operating instructions and Declaration of conformity** (en) 894 kB, 02.11.2010

[http://127.0.0.1/Bilddata/AZ/Pdf/Az3350/bedien/en/mrl\\_az3350\\_en.pdf](http://127.0.0.1/Bilddata/AZ/Pdf/Az3350/bedien/en/mrl_az3350_en.pdf)

**BG-test certificate** (en) 269 kB, 20.04.2011

[http://127.0.0.1/Bilddata/AZ/Pdf/Az3350/baumuste/z\\_az3p02.pdf](http://127.0.0.1/Bilddata/AZ/Pdf/Az3350/baumuste/z_az3p02.pdf)

**BG-test certificate** (de) 274 kB, 20.04.2011

[http://127.0.0.1/Bilddata/AZ/Pdf/Az3350/baumuste/z\\_az3p01.pdf](http://127.0.0.1/Bilddata/AZ/Pdf/Az3350/baumuste/z_az3p01.pdf)

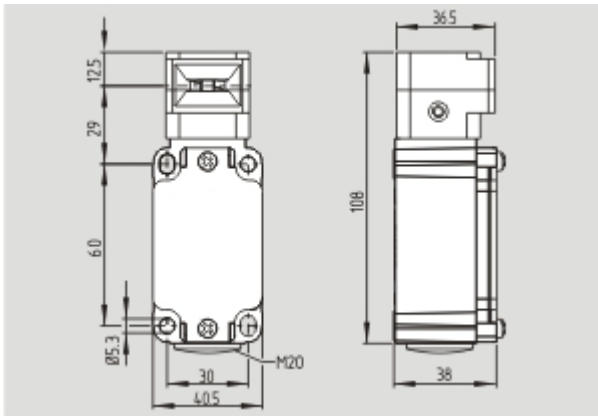
## Images

---



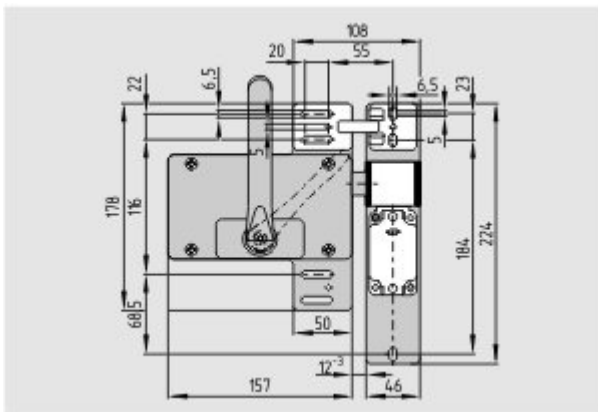
Product photo

---



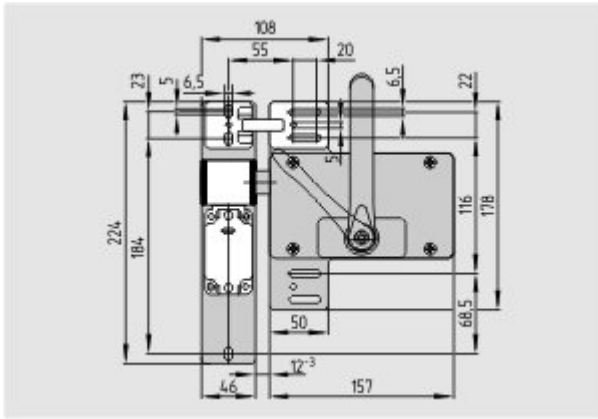
Dimensional drawing (basic component)

---

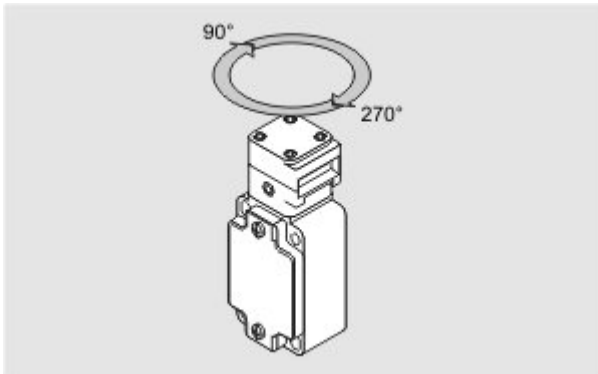


Dimensional drawing (miscellaneous)

---



Dimensional drawing (miscellaneous)



Application

## System components

### Actuator



**1214073 - AZ 3350-B6H**

- Particularly suitable for hinged guards



**1214069 - AZ 3350-B6**

- Particularly suitable for hinged guards



**1214072 - AZ 3350-B5R**

- Particularly suitable for hinged guards

**1214068 - AZ 3350-B1R**

- Particularly suitable for hinged guards



#### **1214067 - AZ 3350-B5**

- Particularly suitable for sliding doors



#### **1214066 - AZ 3350-B1**

- Particularly suitable for sliding doors

### **Door-handle system**



#### **AZ 3350-STS30**

- Latching handle

### **Accessories**



#### **Lockout tag SZ 415**

- Suitable for mounting inside and outside of the hazardous area
- To prevent inadvertent closing, e.g. during maintenance
- For complex plant
- Prevents actuation of the switch
- Lockout tag with 3 circular holes



#### **Centring device**

- Pre-positioning
- The actuator is independent from the centring device.
- Smooth insertion or retraction of the actuator