

## Datasheet - AZ 15/16-B1-1747

Safety switch with separate actuator / AZ 15 / Actuator



- For play-free interlocking of light guards
- The magnetic latch can be easily fitted in any actuating plane
- Suitable for retrofitting



(Minor differences between the printed image and the original product may exist!)

### Ordering details

Product type description	AZ 15/16-B1-1747 MIT HAFTMAGNET
Article number	1093553
EAN code	4030661099989

### Global Properties

Product name	Gerader Betätiger B1-1747 mit Haftmagnet
Weight	35 g

### Mechanical data

Design of actuators	straight, rigid
Latching force	30 N
Minimum actuating radius	150 mm

### notice

Minimum actuating radius on hinged guards 150 mm

The axis of the hinge should be 5 mm above the top edge of the safety switch and in the same plane

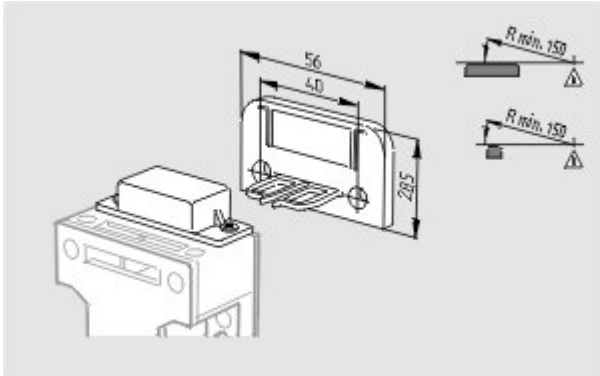
### Documents

**Mounting and wiring instructions** (de, en, fr, it, es, jp) 267 kB, 29.08.2006

[http://127.0.0.1/Bilddata/AZ/Pdf/Az15\\_16/montage/m\\_z15p02.pdf](http://127.0.0.1/Bilddata/AZ/Pdf/Az15_16/montage/m_z15p02.pdf)

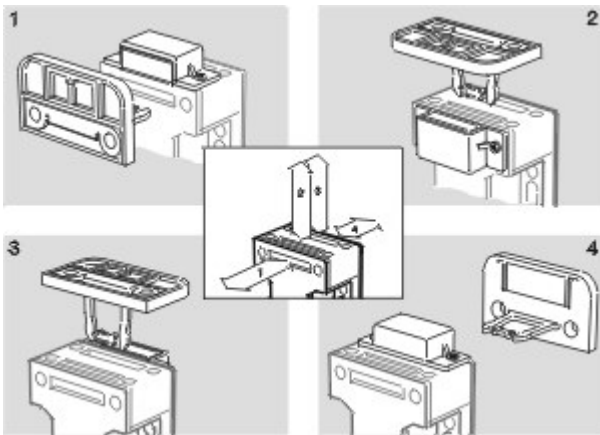
## Images

---



Dimensional drawing (miscellaneous)

---



Operating principle

---