

## Datasheet - AZ/AZM 415-B2

Solenoid interlock / AZM 415 / Actuator



- Particularly suitable for hinged guards
- For very small actuating radii in line with the plane of the actuator



(Minor differences between the printed image and the original product may exist!)

### Ordering details

Product type description	AZ/AZM 415-B2
Article number	1144796
EAN code	4030661134307

### Global Properties

Product name	Beweglicher Betätiger AZ/AZM 415-B2
Weight	160 g

### Mechanical data

Design of actuators	flexible, straight
Minimum actuating radius	250 mm

### notice

The axis of the hinge should be 36 mm above the top edge of the safety switch and in the same plane

Removal of the actuator can be prevented by fitting dowel pins in the holes provided.

The actuator can be brought into any desired position by adjustment of the hexagonal key wrench (a).

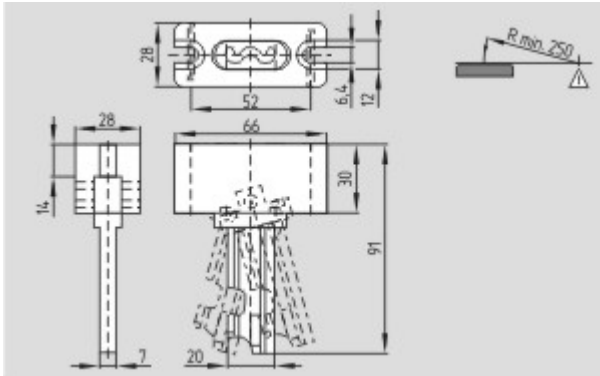
This actuator can also be used for sliding doors.

Actuating radius adjustable, minimum 250, using an hexagonal key wrench 4 A/F

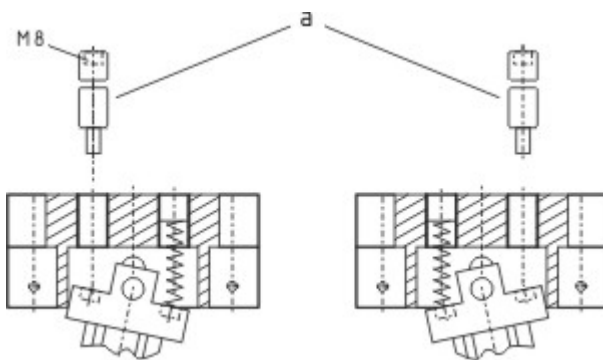
### Documents

**Mounting and wiring instructions** (de, en, fr, it, es, jp) 182 kB, 22.09.2008

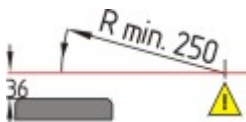
Images



Dimensional drawing (miscellaneous)



Dimensional drawing (miscellaneous)



Actuating radius