

## Datasheet - BPS 16

Safety sensors / BNS 16 / Actuator



(Minor differences between the printed image and the original product may exist!)

### Ordering details

Product type description	BPS 16
Article number	1172566
EAN code	4030661301181

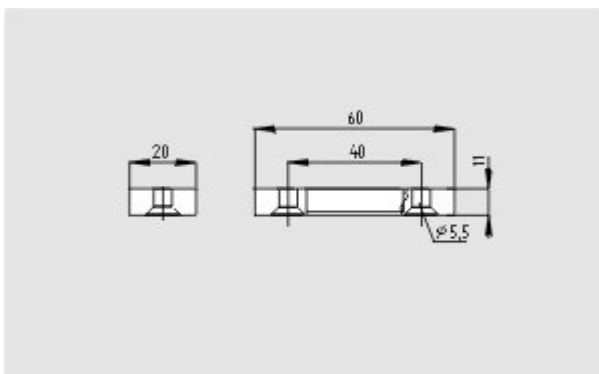
### Global Properties

Product name	Magnet
Materials	
- Material of the housings	Plastic
Weight	21.8 g

### Dimensions

Dimensions of the actuators	
- Width of the actuator	60 mm
- Height of the actuator	20 mm
- Length of the actuator	11 mm

### Images



Dimensional drawing (miscellaneous)

K.A. Schmersal GmbH, Möddinghofe 30, D-42279 Wuppertal

The data and values have been checked thoroughly. Technical modifications and errors excepted.

Generiert am 21.04.2011 - 14:44:37h Kasbase 1.4.7 DBI