

Datasheet - BNS 260-02/01ZG-ST-L



Safety sensors / BNS 260



- thermoplastic enclosure
- Small body
- Concealed mounting possible
- 26 mm x 36 mm x 13 mm
- Long life
- no mechanical wear
- Insensitive to transverse misalignment
- Insensitive to soiling
- Connector M8 x 1, 6-pole

(Minor differences between the printed image and the original product may exist!)

Ordering details

Product type description	BNS 260-02/01ZG-ST-L
Article number	1184382
EAN code	4030661321813

Approval

Approval



Classification

Standards	EN ISO 13849-1
B _{10d} Opener (NC)	25.000.000
- notice	at max. 20% contact load
Mission time	20 Years
notice	$MTTF_d = \frac{B_{10d}}{0,1 \times n_{op}}$ $n_{op} = \frac{d_{op} \times h_{op} \times 3600 \text{ s/h}}{t_{zyklus}}$

Global Properties

Product name	BNS 260
Standards	IEC 60947-5-3, BG-GS-ET-14
Compliance with the Directives (Y/N)	Yes
Materials	
- Material of the housings	Plastic, glass-fibre reinforced thermoplastic

Weight	17.5 g
Coding available (Y/N)	Yes
Monitoring function of downstream devices (Y/N)	No
Prerequisite evaluation unit	
Recommended safety-monitoring module	
Recommended actuator	BPS 260

Mechanical data

Design of electrical connection	Connector M8
mechanical installation conditions	quasi-flush
Active area	
Ensured switch distance ON	5 mm
Ensured switch distance OFF	15 mm
Type of actuation	Magnet
Direction of motion	head-on with regard to the active surface
restistance to shock	30 g / 11 ms
Resistance to vibration	10 ... 55 Hz, Amplitude 1 mm
Door hinge	left

Ambient conditions

Ambient temperature	
- Min. environmental temperature	-25 °C
- Max. environmental temperature	+70 °C
Storage and transport temperature	
- Min. Storage and transport temperature	-25 °C
- Max. Storage and transport temperature	+70 °C
Protection class	IP67

Electrical data

Integrated Safety monitoring module available (Y/N)	No
Cross circuit/short circuit recognition possible (Y/N)	Yes
Voltage type	VDC
Switch frequency	max. 5 Hz
Switching voltage	max. 24 VDC
Switching current	max. 10 mA
Switching capacity	max. 240 mW

Outputs

Design of control output	
Number of shutters	0 piece
Number of openers	3 piece
Design of output signal switching device	

Electrical data - Safety outputs

Number of secure semi-conductor outputs	0 piece
Number of secure outputs with contact	2 piece

Electrical data - Diagnostic output

Number of semi-conductor outputs with signaling function	0 piece
Number of outputs with signaling function that already have a contact	1 piece

LED switching conditions display

LED switching conditions display (Y/N)	Yes
- The LED is illuminated when the guard is closed.	

ATEX

Explosion protection categories for gases	None
Explosion protected category for dusts	None

Dimensions

Dimensions of the sensor	
- Width of sensor	26 mm
- Height of sensor	36 mm
- Length of sensor	13 mm

notice

Contact symbols shown for the closed condition of the guard device.
The contact configuration for versions with or without LED is identical.
The number in brackets indicate the PIN number of the connector.
Contact S21-S22 und S11-S12 must be integrated in the safety circuit

Included in delivery

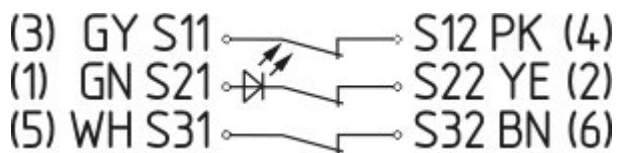
Actuators must be ordered separately.

Indication legend

Switch on/off diagram

The actuating graph also applies to the BPS 260-2, the actuator with 90° inverted actuation.

Diagram



Note Diagram

- positive break NC contact
- active
- no active
- Normally-open contact
- Normally-closed contact

Ordering code

BNS 260-(1)(2)Z(3)-(4)-(5)

(1)

11 1 Normally open contact (NO) / 1 Opener (NC)

02 2 Opener (NC)

(2)

without without Diagnostic output

/01 1 Opener (NC)

(3)

without without LED switching conditions display

G with LED switching conditions display

(4)

without Pre-wired cable

ST with connector

(5)

L Door hinge on left-hand side

R Door hinge on right-hand side

Documents

Operating instructions and Declaration of conformity (it) 689 kB, 01.02.2011

http://127.0.0.1/Bilddata/Si_senso/Pdf/Bns260/bedien/IT/mrl_bns260_it.pdf

Operating instructions and Declaration of conformity (jp) 1 MB, 14.12.2010

http://127.0.0.1/Bilddata/Si_senso/Pdf/Bns260/bedien/JP/mrl_bns260_jp.pdf

Operating instructions and Declaration of conformity (de) 526 kB, 06.07.2010

http://127.0.0.1/Bilddata/Si_senso/Pdf/Bns260/bedien/DE/mrl_bns260_de.pdf

Operating instructions and Declaration of conformity (en) 539 kB, 24.06.2010

http://127.0.0.1/Bilddata/Si_senso/Pdf/Bns260/bedien/EN/mrl_bns260_en.pdf

Operating instructions and Declaration of conformity (fr) 462 kB, 06.07.2010

http://127.0.0.1/Bilddata/Si_senso/Pdf/Bns260/bedien/FR/mrl_bns260_fr.pdf

Operating instructions and Declaration of conformity (es) 455 kB, 20.07.2010

http://127.0.0.1/Bilddata/Si_senso/Pdf/Bns260/bedien/ES/mrl_bns260_es.pdf

Operating instructions and Declaration of conformity (nl) 793 kB, 16.09.2010

http://127.0.0.1/Bilddata/Si_senso/Pdf/Bns260/bedien/NL/mrl_bns260_nl.pdf

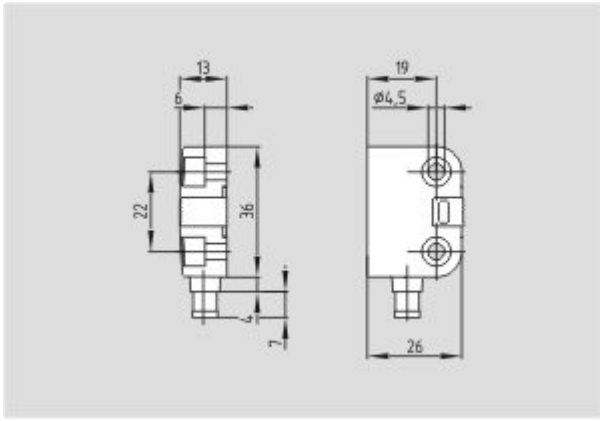
Operating instructions and Declaration of conformity (pt) 459 kB, 20.05.2010

http://127.0.0.1/Bilddata/Si_senso/Pdf/Bns260/bedien/pt/mrl_bns260_pt.pdf

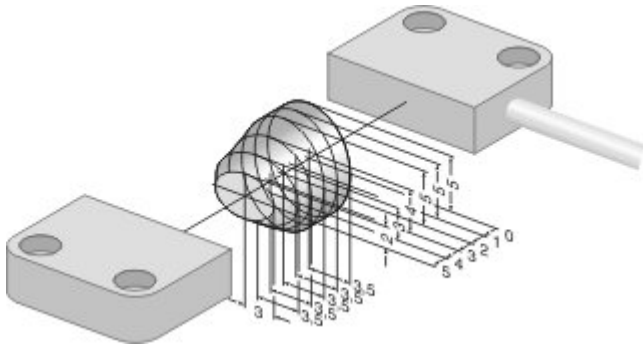
Operating instructions and Declaration of conformity (br) 698 kB, 07.04.2011

http://127.0.0.1/Bilddata/Si_senso/Pdf/Bns260/bedien/ACE/br/mrl_bns260_br.pdf

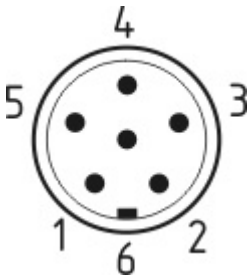
Images



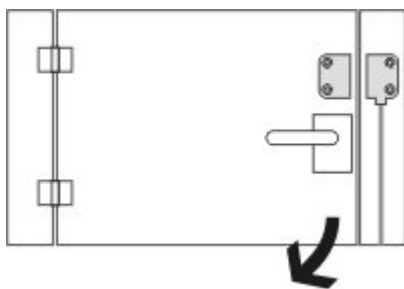
Dimensional drawing (basic component)



Characteristic curve



Contact arrangement



Clipart

System components

Actuator

1184395 - BPS 260-1

- Actuator and sensor on a mounting level

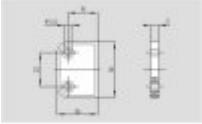




1184396 - BPS 260-2

- Actuator 90° attached to the sensor

Accessories



1184643 - SPACER BNS 260

to mount the magnetic safety sensor and actuator on ferromagnetic material

K.A. Schmersal GmbH, Möddinghofe 30, D-42279 Wuppertal

The data and values have been checked thoroughly. Technical modifications and errors excepted.

Generiert am 21.04.2011 - 14:56:46h Kasbase 1.4.7 DBI